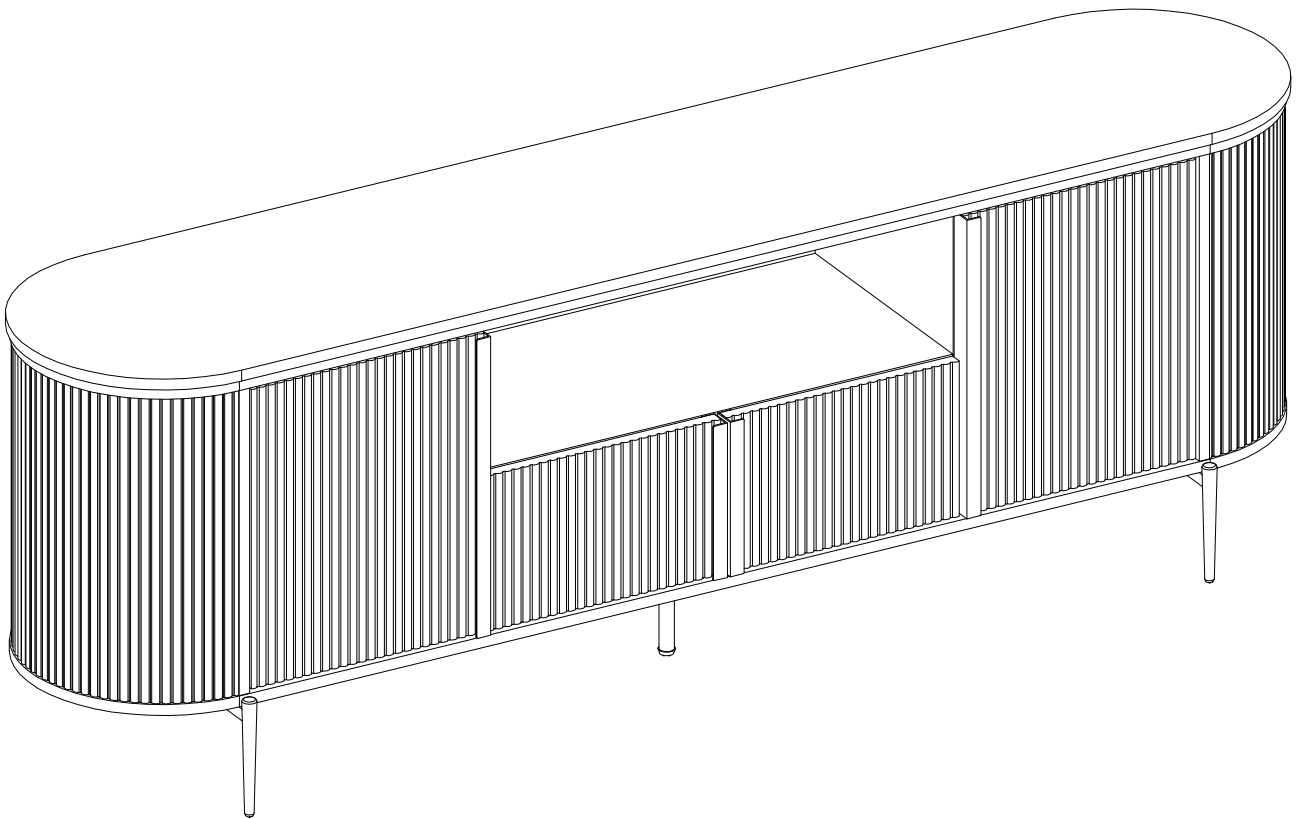


AI-ILSC70TC

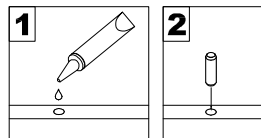
Assembly Instructions



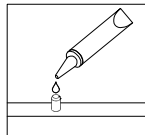
Customer Service E-mail Address: ymyjfurniture@163.com

General Assembly Guidelines

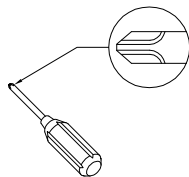
- I. Ensure that all parts and hardware are available before beginning assembly.
- II. Follow each step carefully to ensure the proper assembly of this product.
- III. Two people are recommended for ease in the assembly of this product.
- IV. The three main types of hardware used to assemble this product are: wood dowels, screws and bolts.
- V. The provided glue is to secure wood dowels in place. When first inserting dowels, locate the appropriate hole for the dowel, place a small amount of glue in the hole and insert the dowel. Wipe away excess glue immediately.



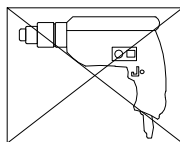
In future assembly steps when dowels are necessary to attach assembly parts together, place a small amount of glue on the end of the dowel before attaching parts together. Wipe away excess glue immediately.



- VI. A Phillips head screwdriver is required for the assembly of this product.

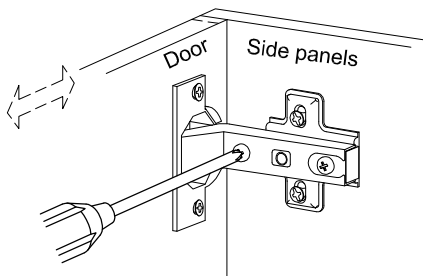


- VII. Power tools should not be used to assemble this product.

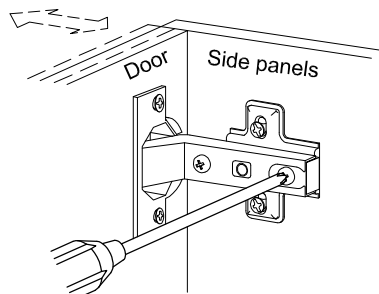


- VIII. Drill may be needed for securing product to wall.

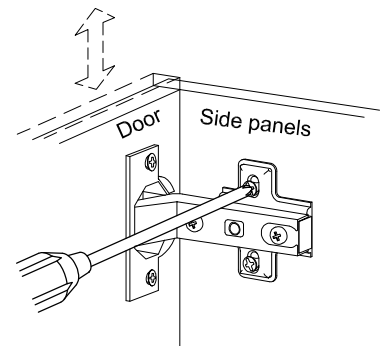
- IX. Concealed hinges are three-way adjustable.



Horizontal
by screw adjustment

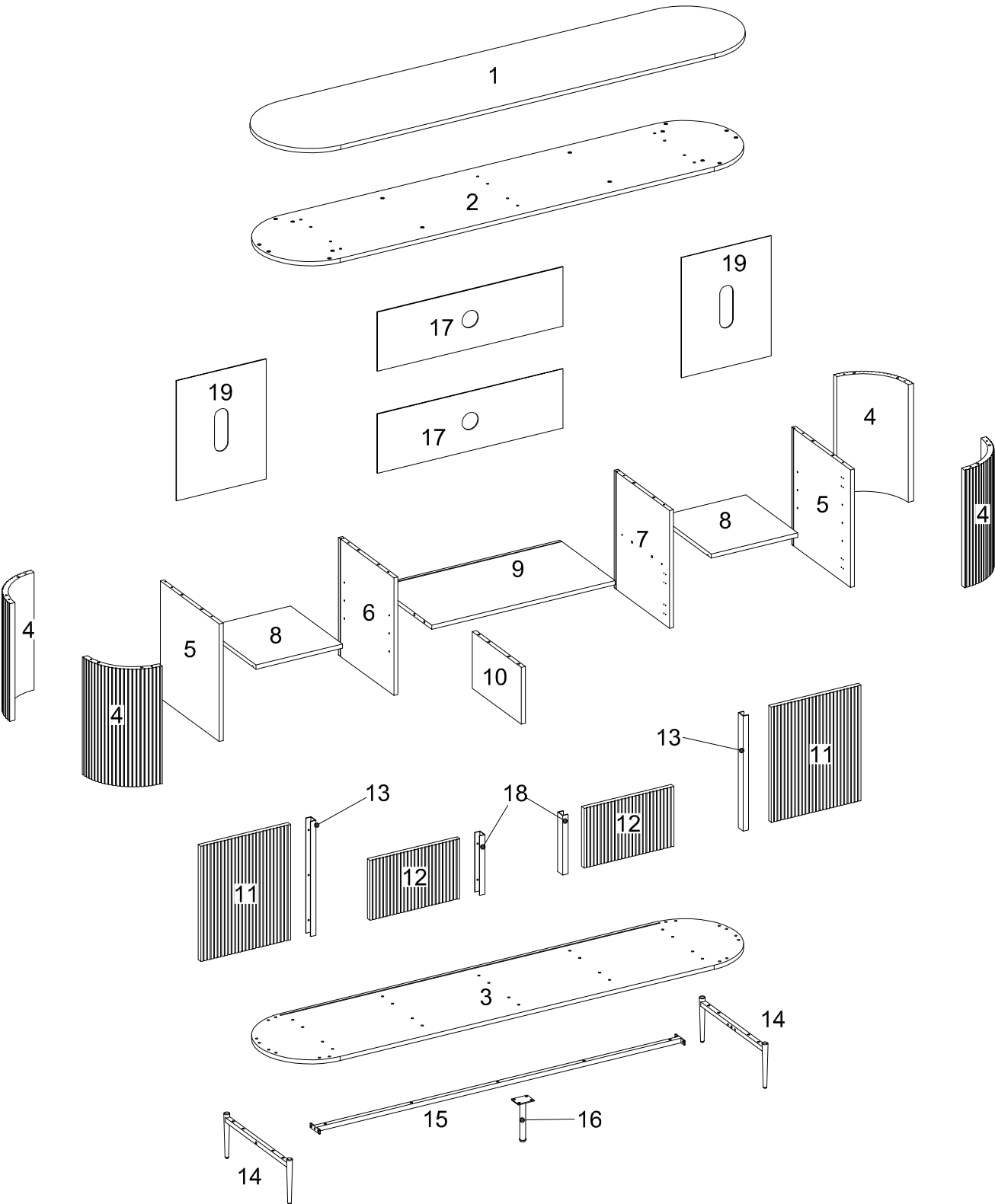


In-and-Out
by loosening the hinge-arm
mounting screw or via cam
adjustment


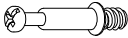


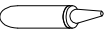
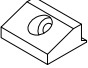
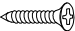

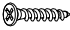

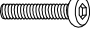
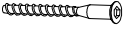
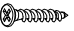







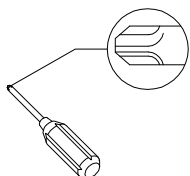
Vertical
Via slots in the mounting
plate or via cam adjustment

Parts List



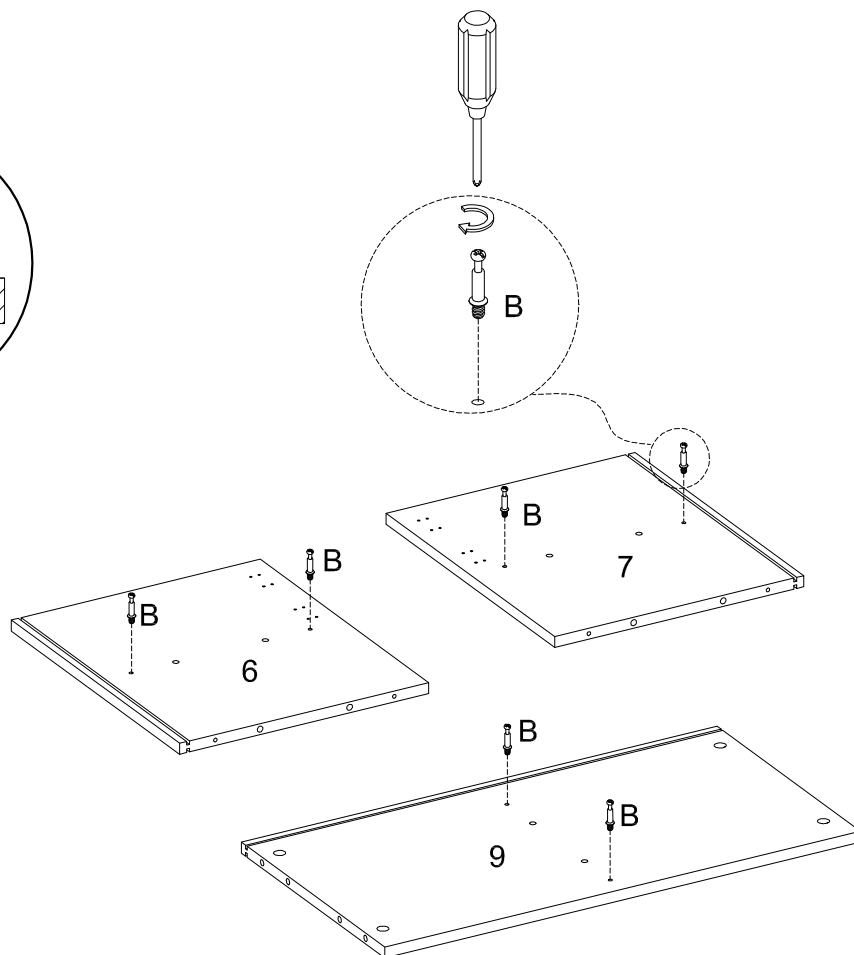
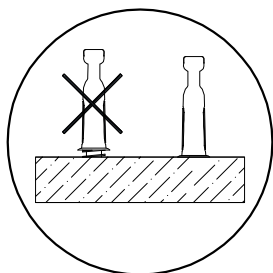
Hardware List

A		Ø8x30mm	Long dowel	40 pcs
B		Ø6x35mm	Cam bolt	6 pcs
C		Ø8x5x16mm	Shelf support pin	8 pcs
D		Ø30mm	Cam cover	6 pcs
E			Glue tube	1 pc
F			Plastic bracket	16 pcs
G		Ø3x17mm	Flat-head screw	16 pcs
H		Ø8x20mm	Short dowel	6 pcs
J		Ø3.5x14mm	Handle Screw	10 pcs
K		Ø15x11mm	Cam lock	6 pcs
L		Ø6x22mm	Bolt	6 pcs
M		Ø6x50mm	Screw	34 pcs
N		Ø3.5x14mm	Hinge screw	48 pcs
P		M 4	Allen wrench	1 pcs
Q		Ø6x13mm	Bolt	8 pcs
R		Ø6x25mm	Bolt	15 pcs
S			Soft hinge	8 pcs
T			Tipping Restraint Hardware	2 set

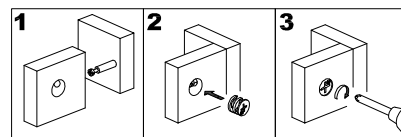


Philips head screwdriver required for assembly
(not included)

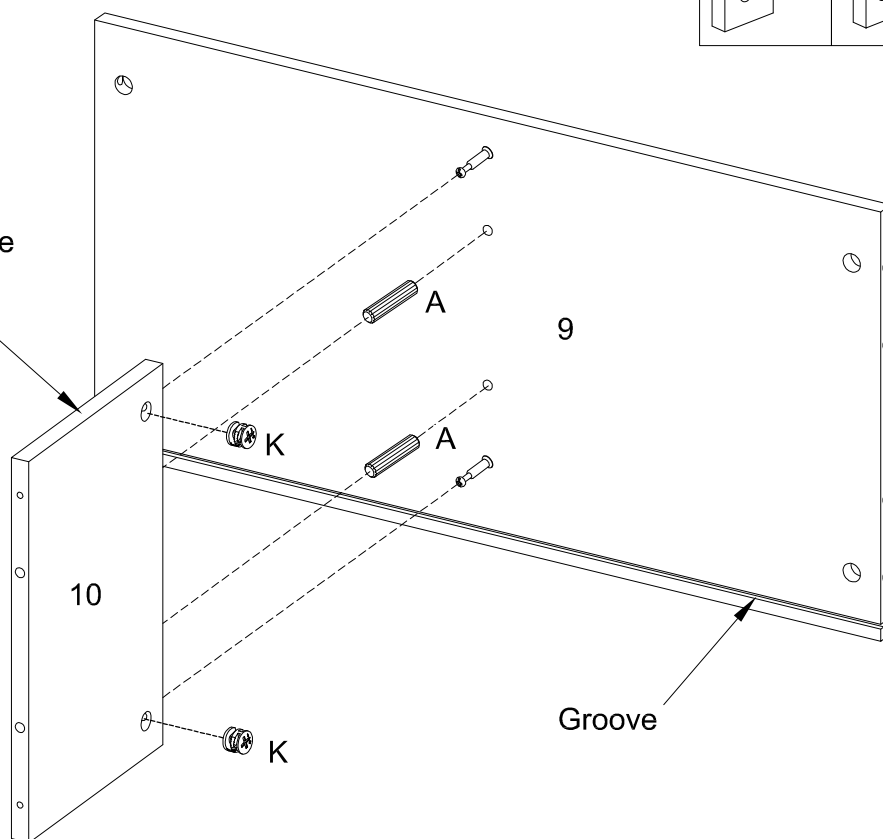
Step 1



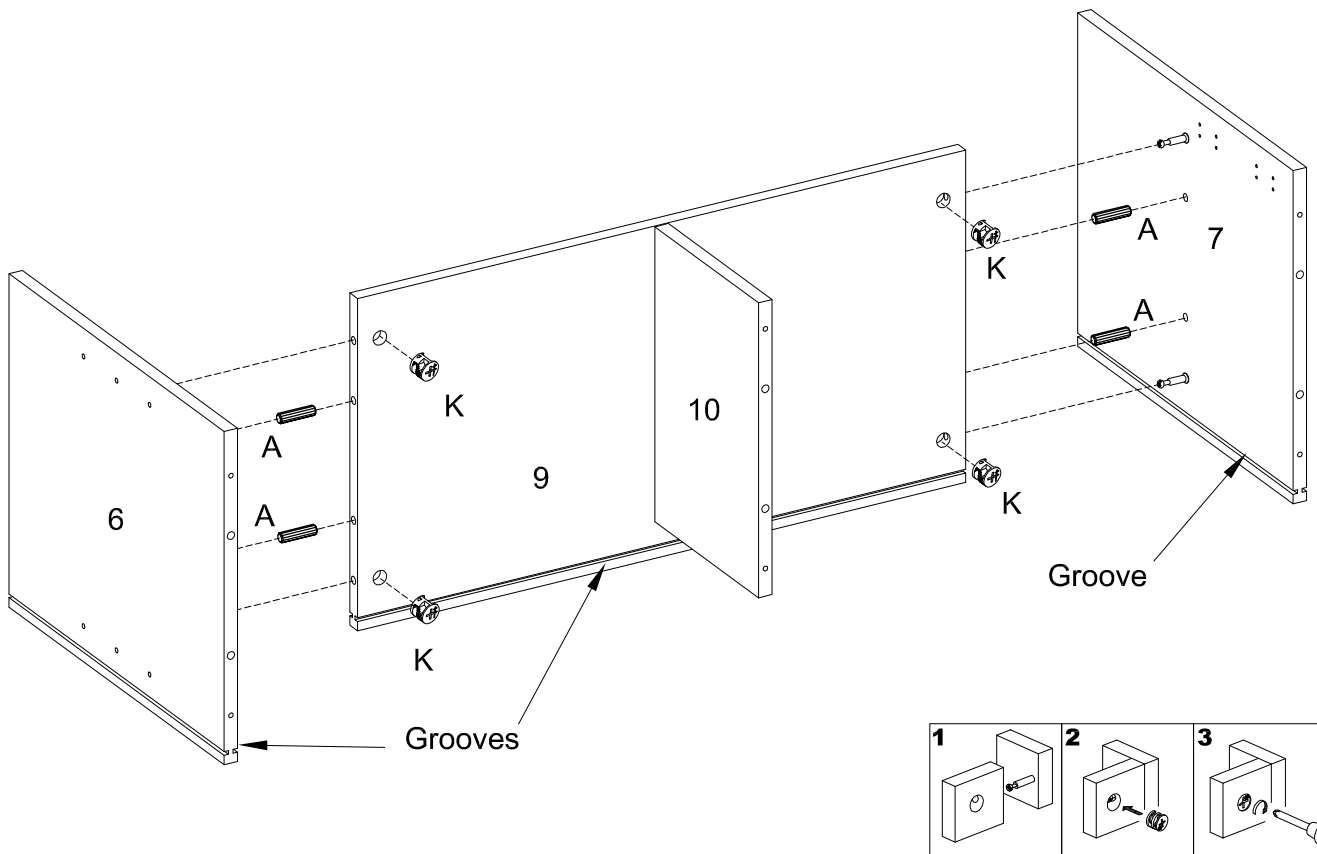
Step 2



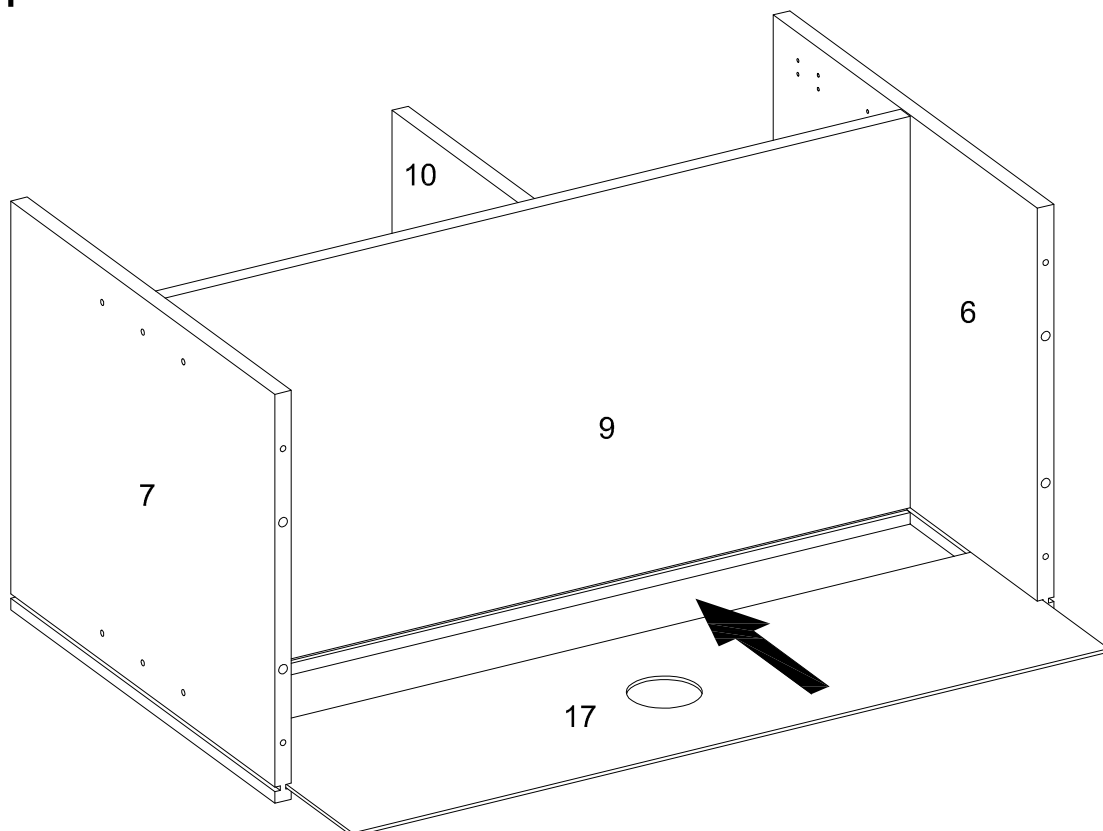
Finished edge



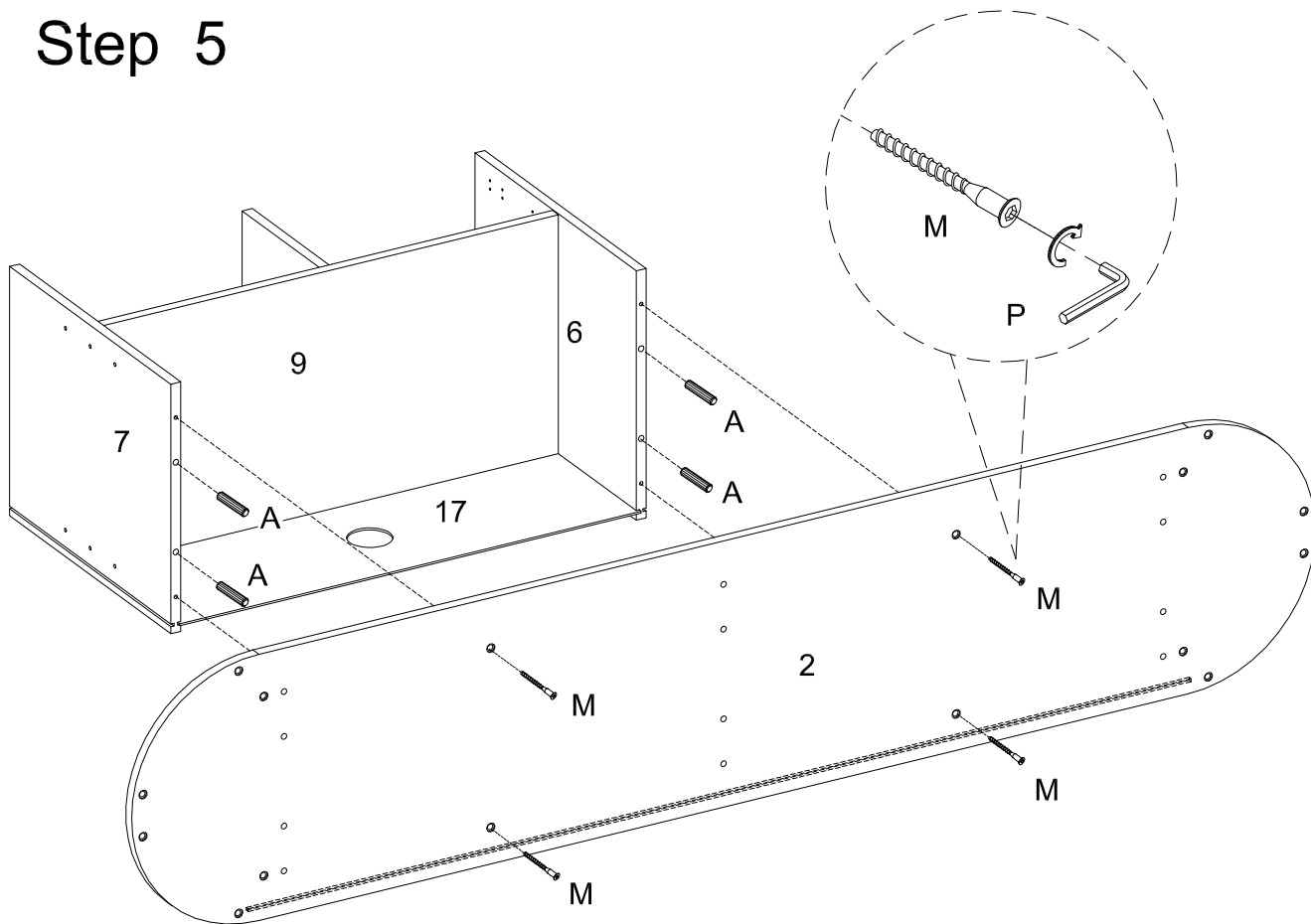
Step 3



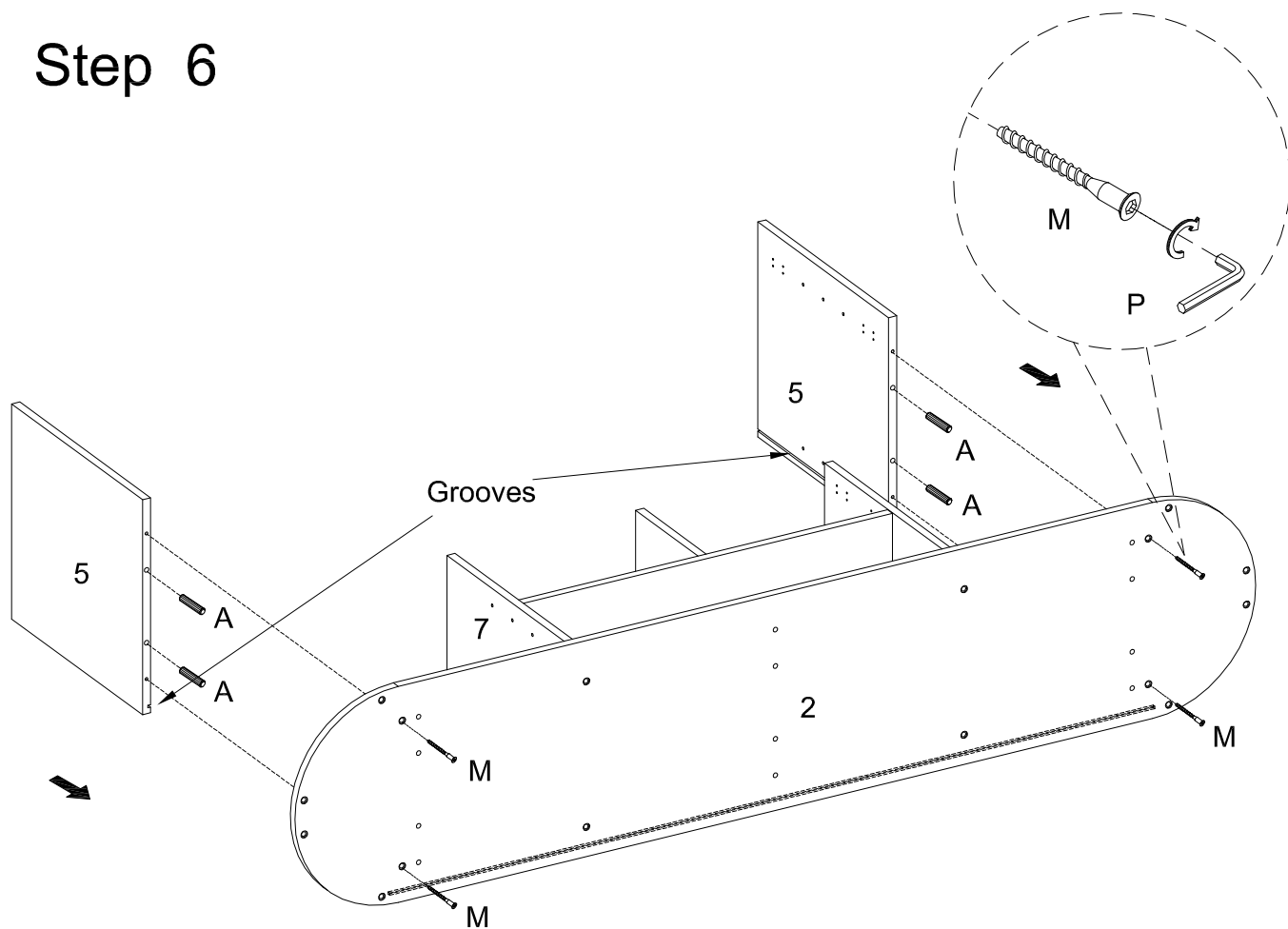
Step 4



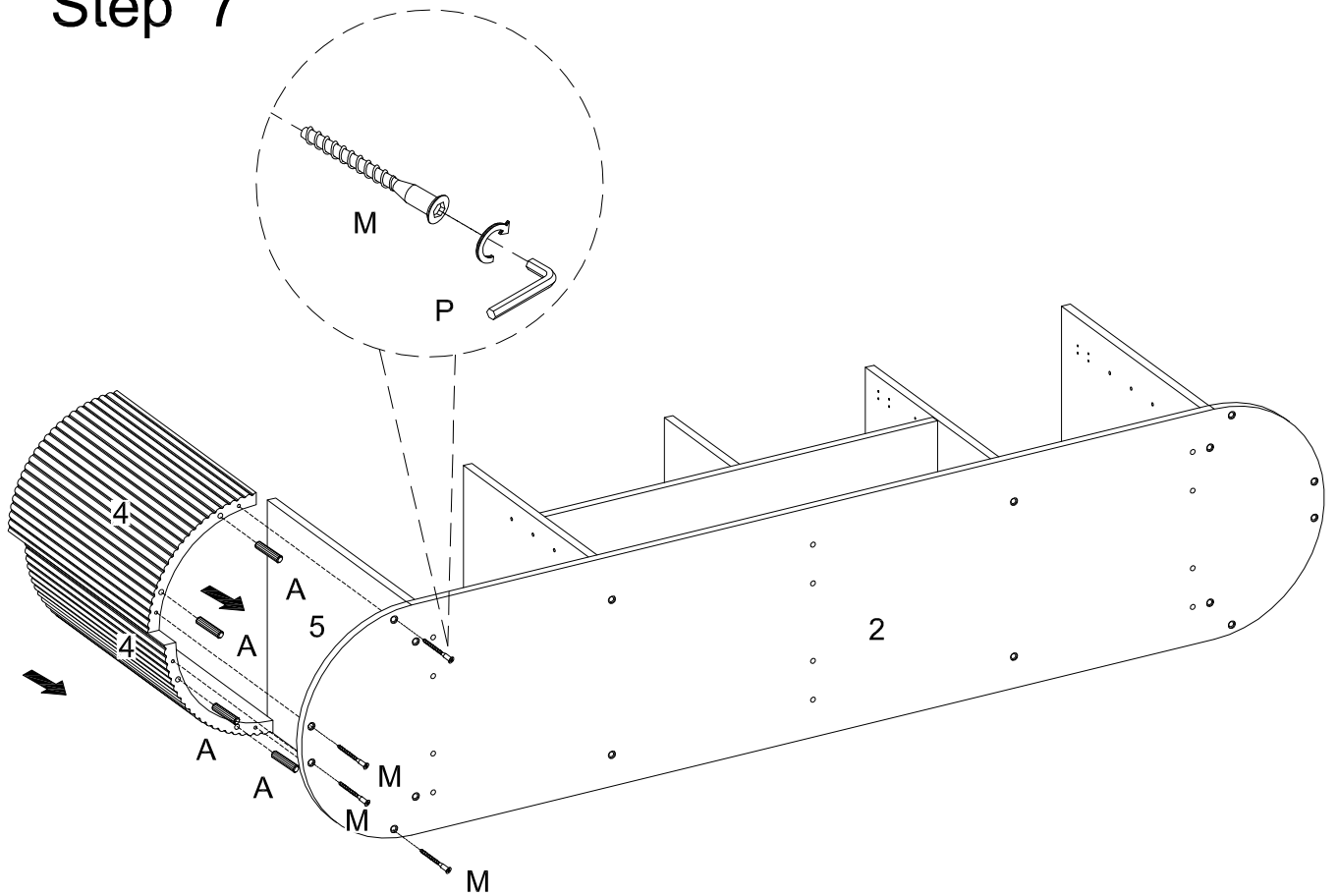
Step 5



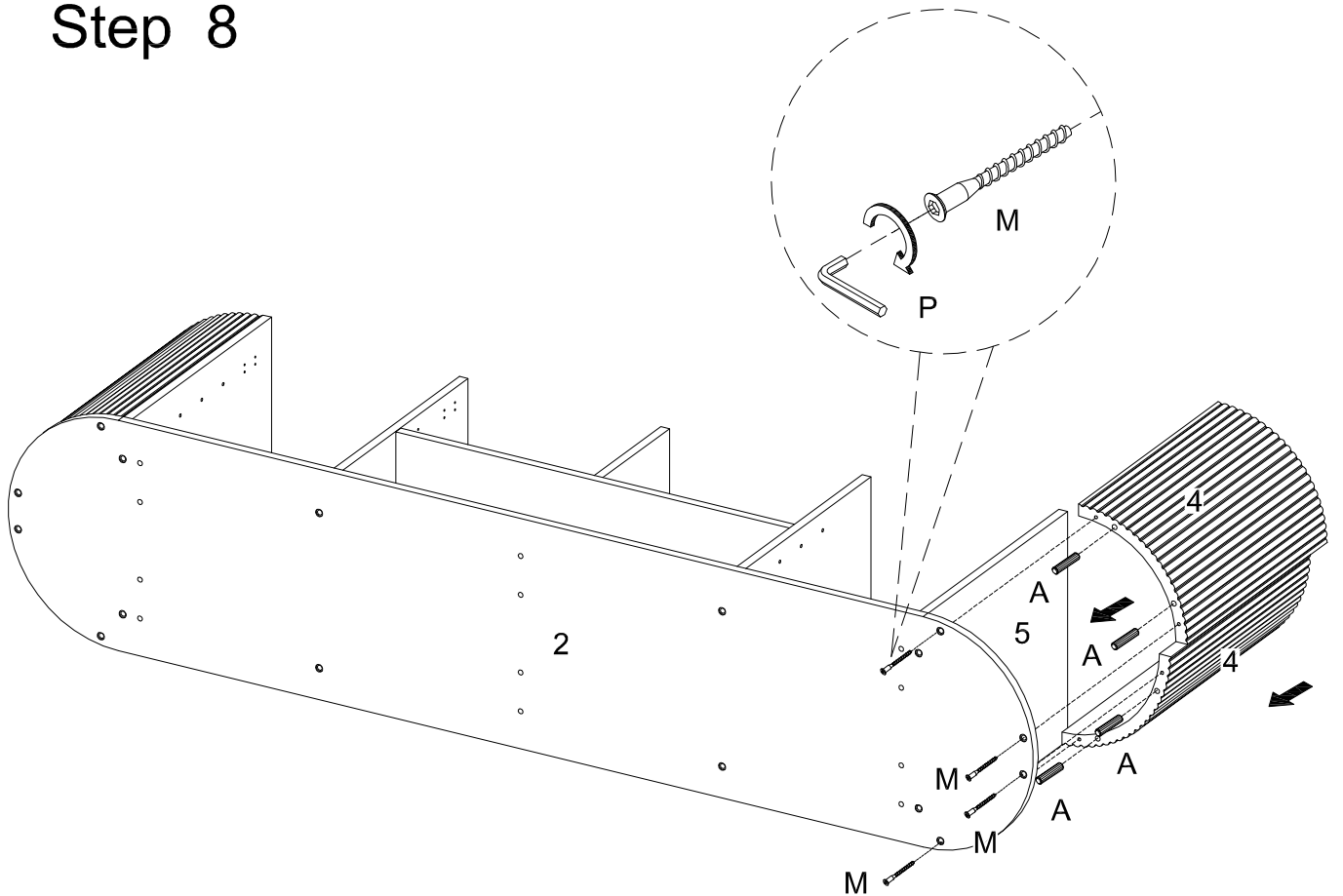
Step 6



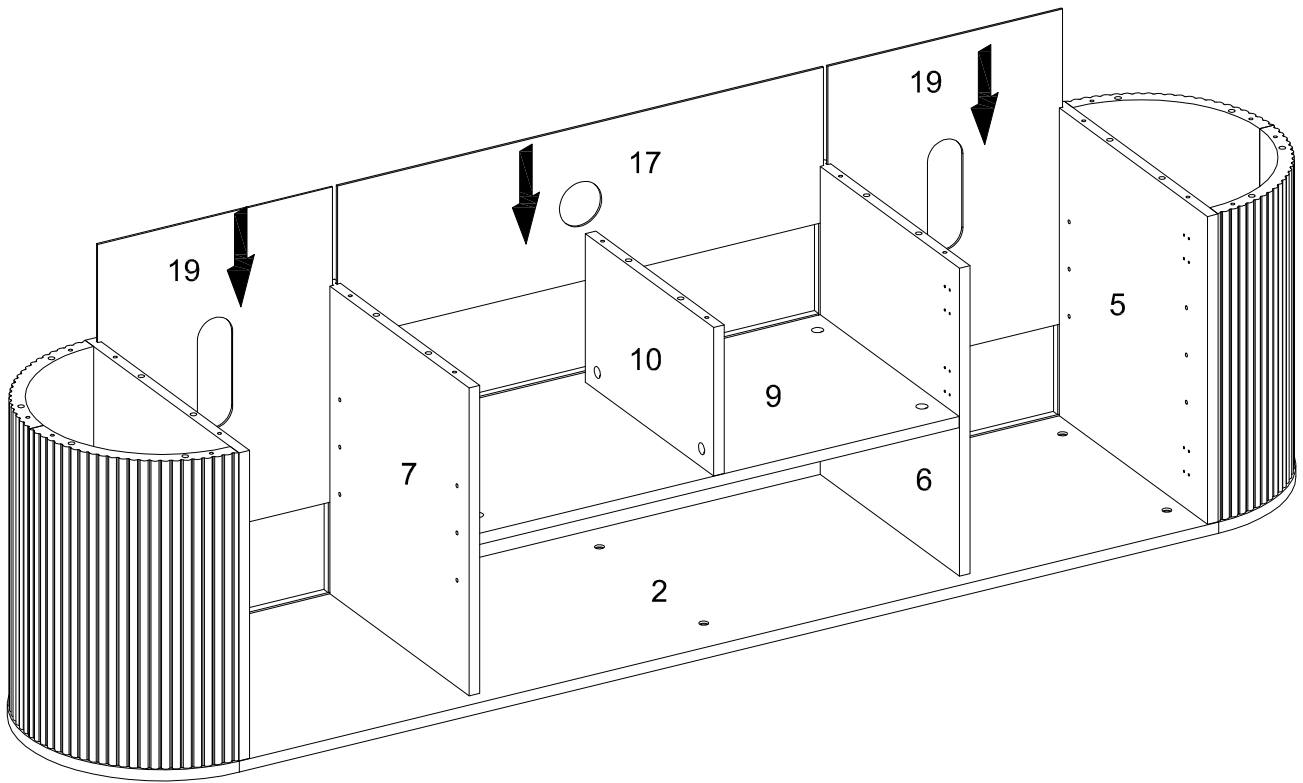
Step 7



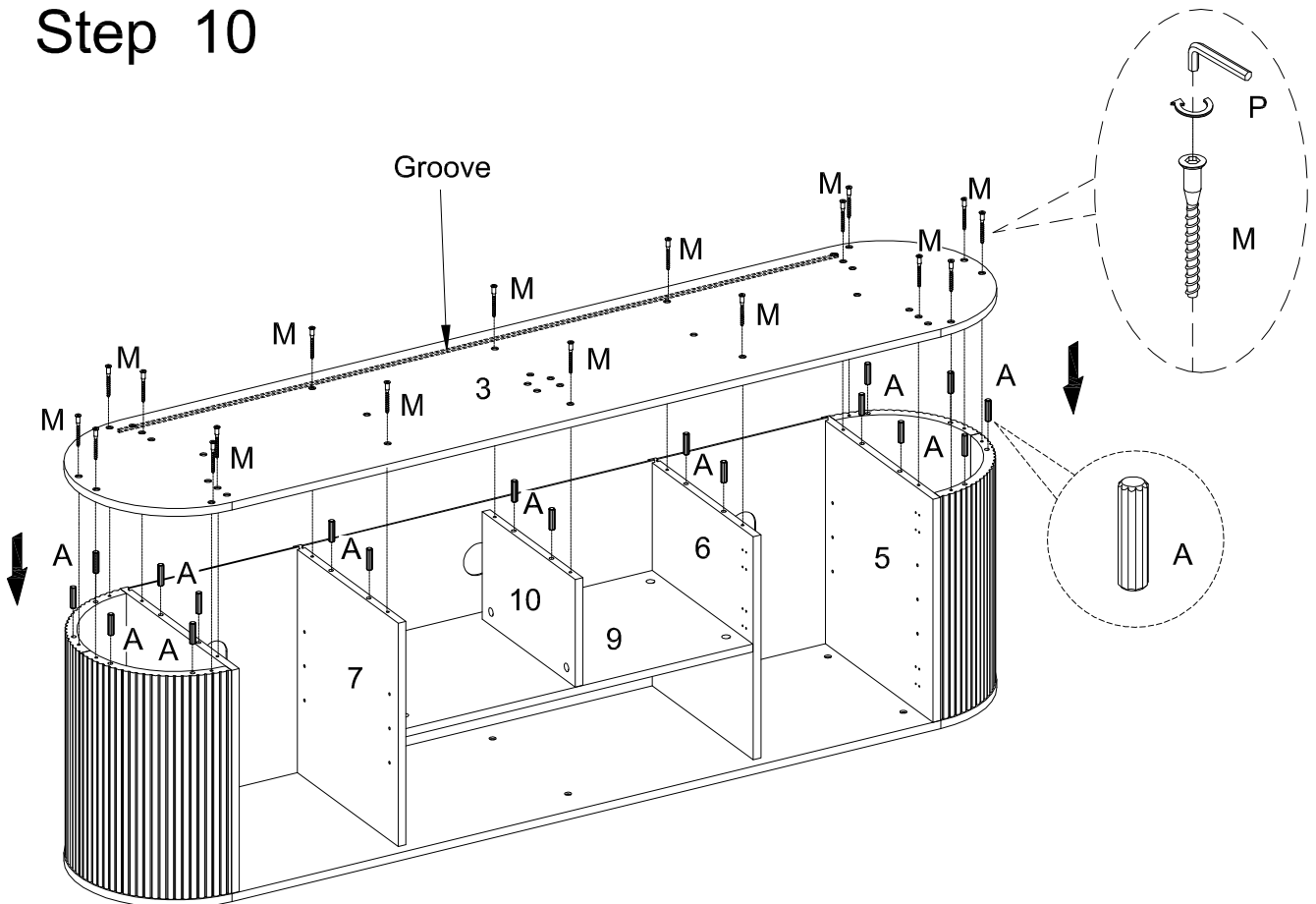
Step 8



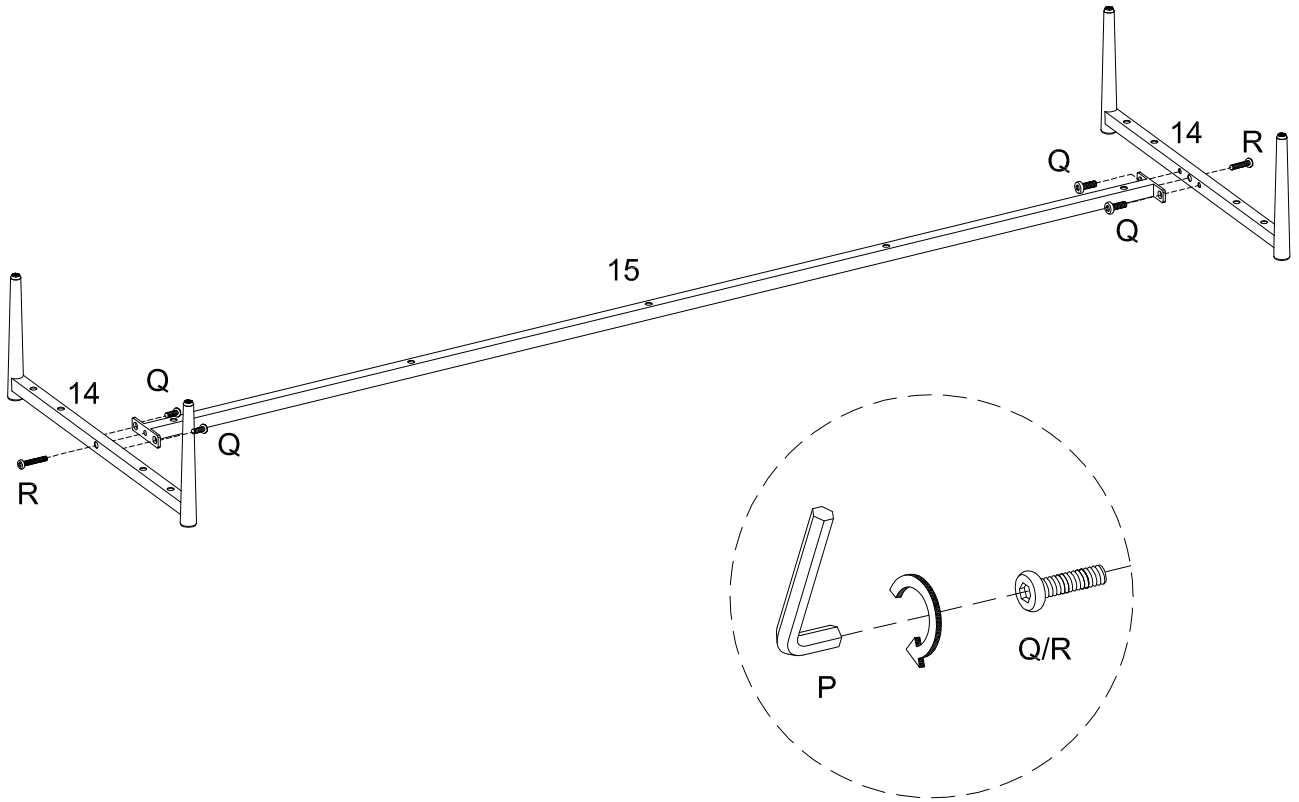
Step 9



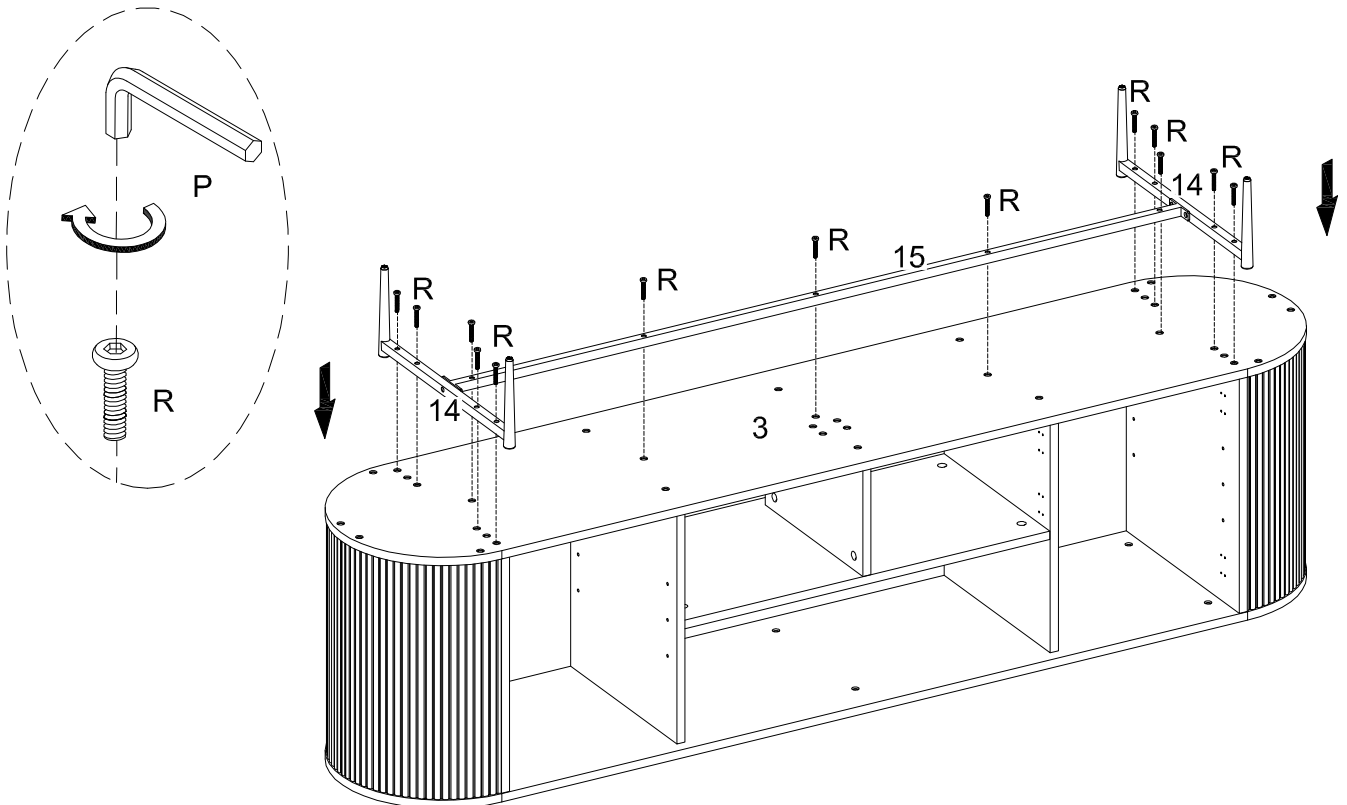
Step 10



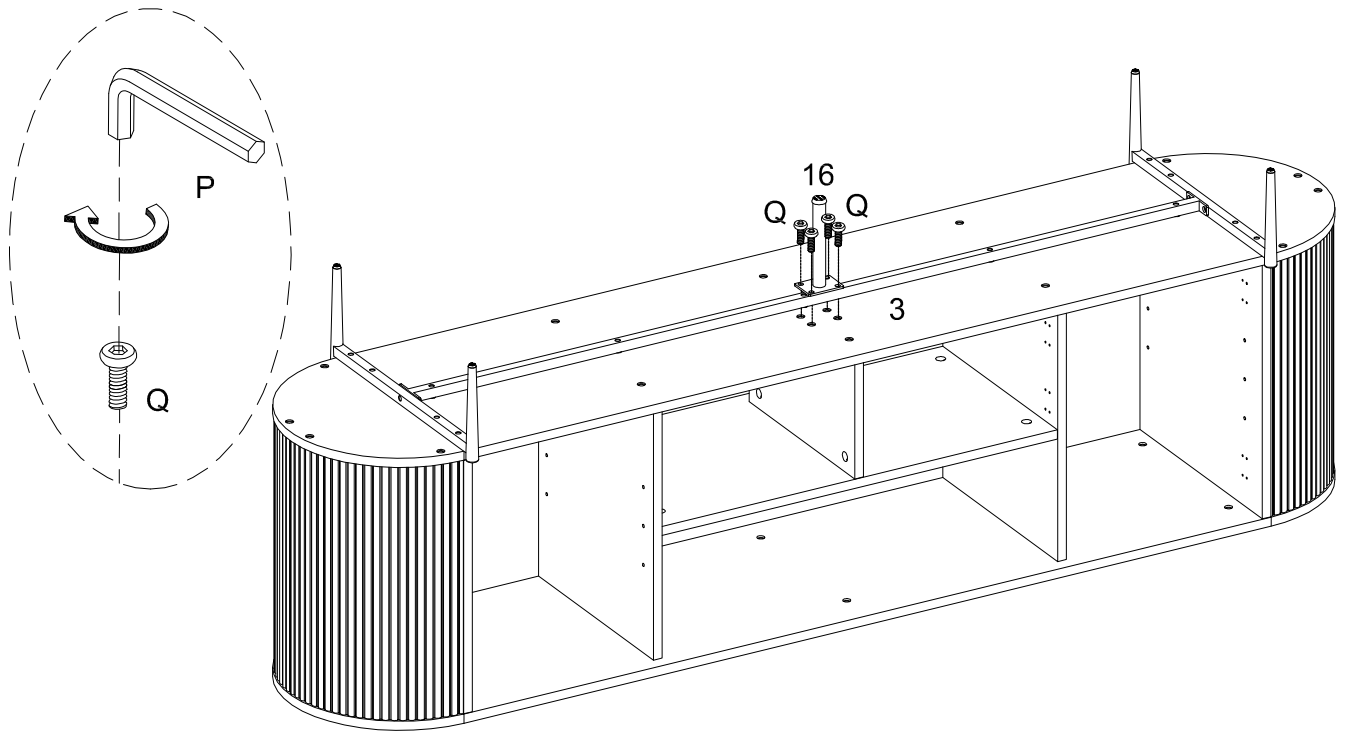
Step 11



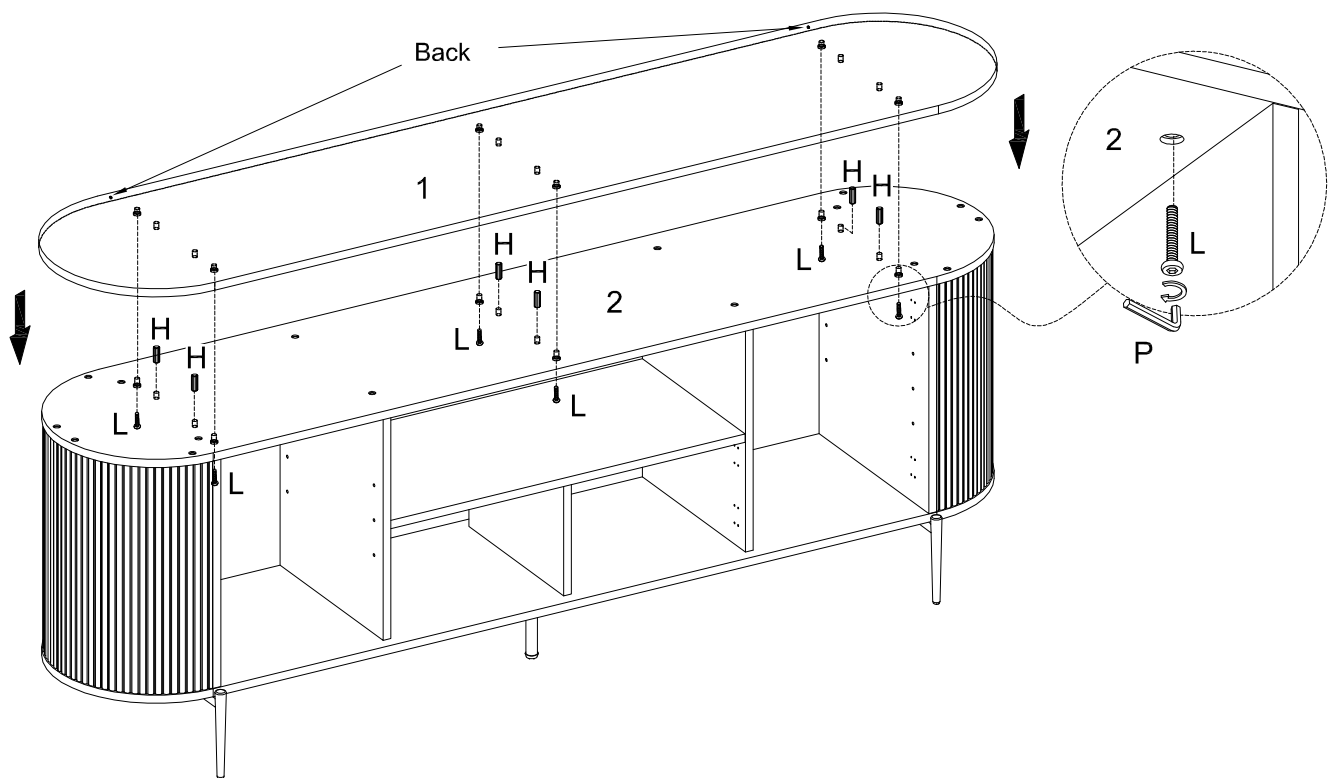
Step 12



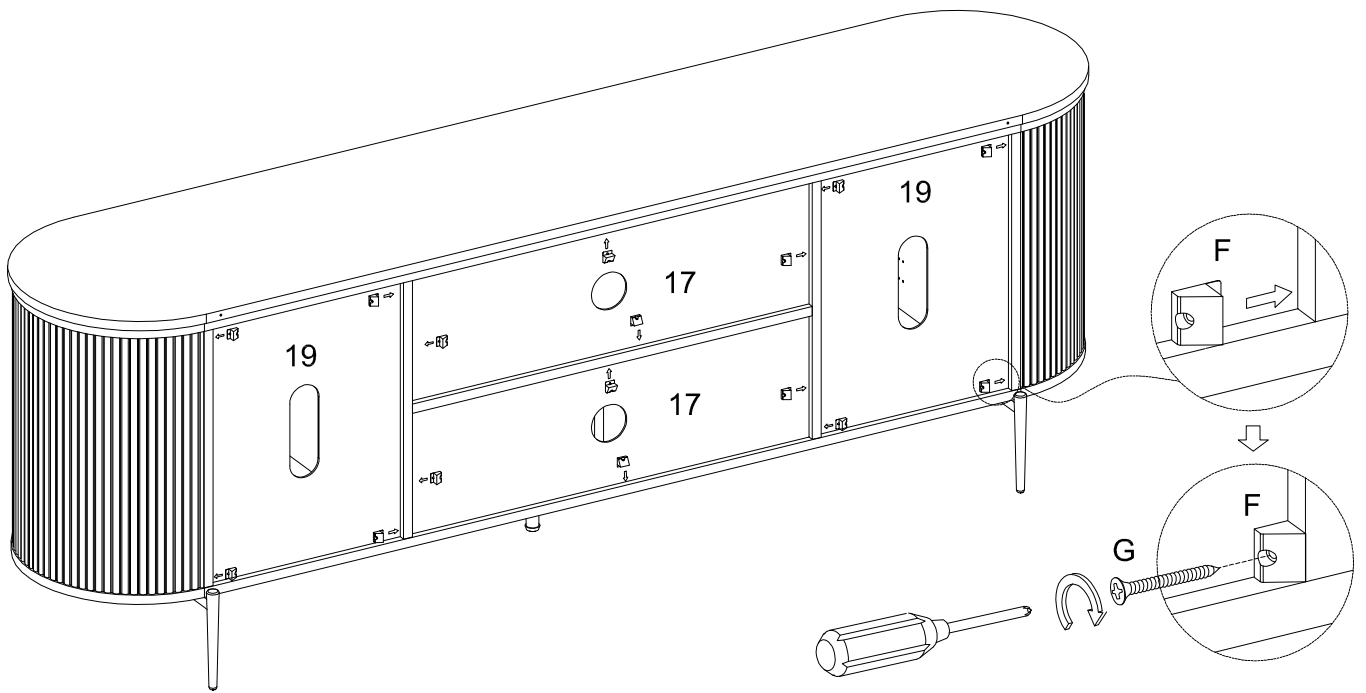
Step 13



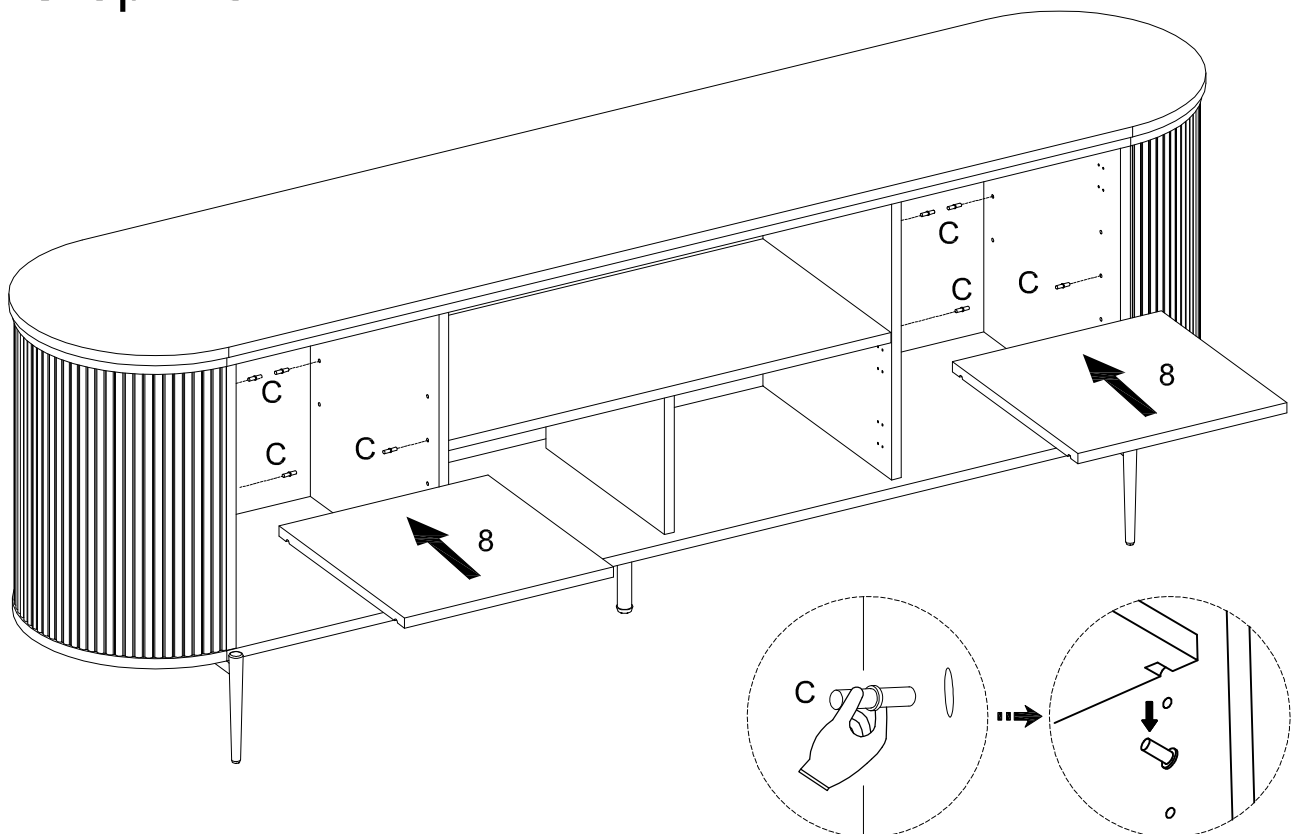
Step 14



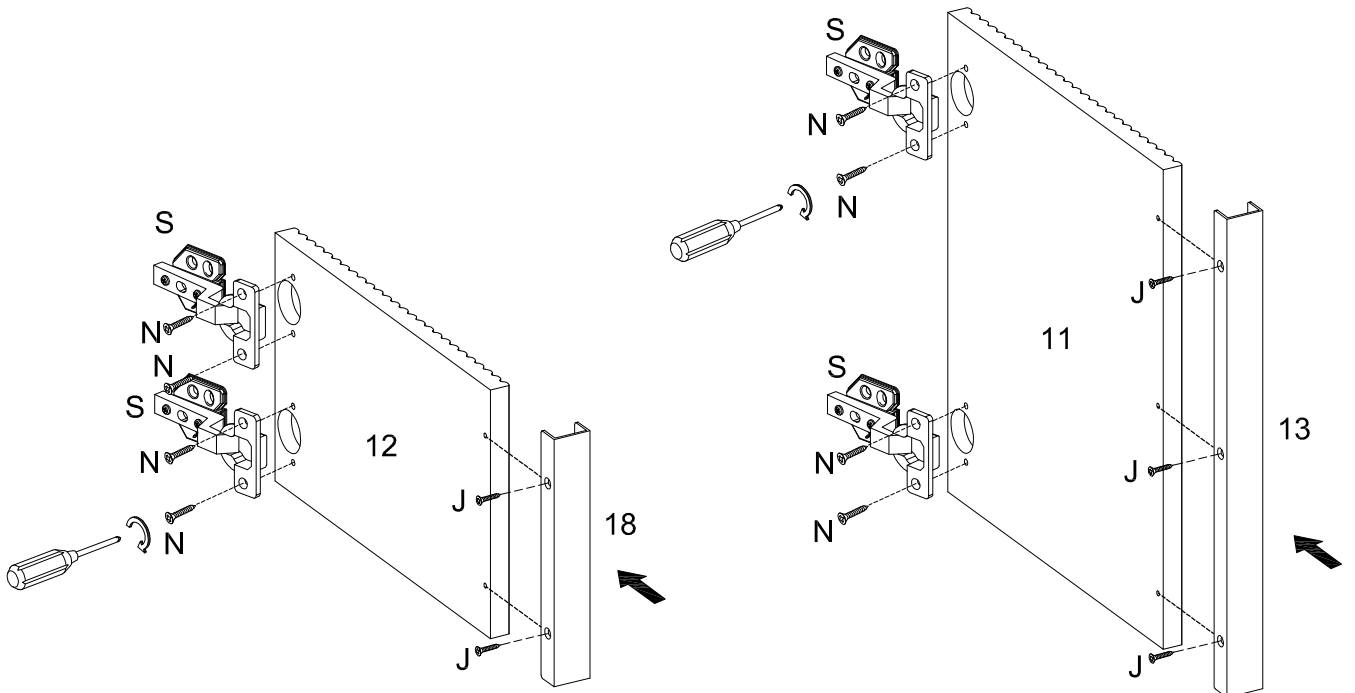
Step 15



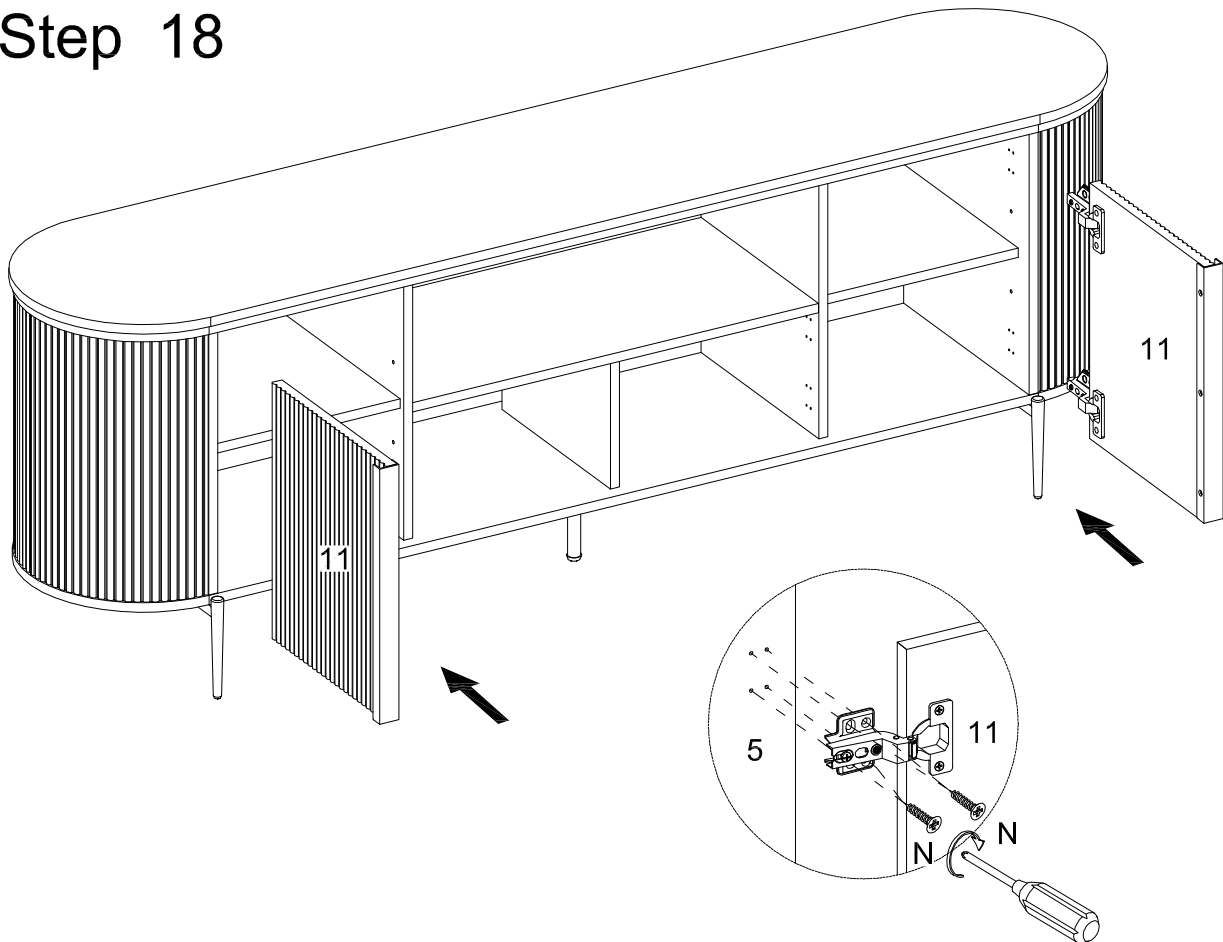
Step 16



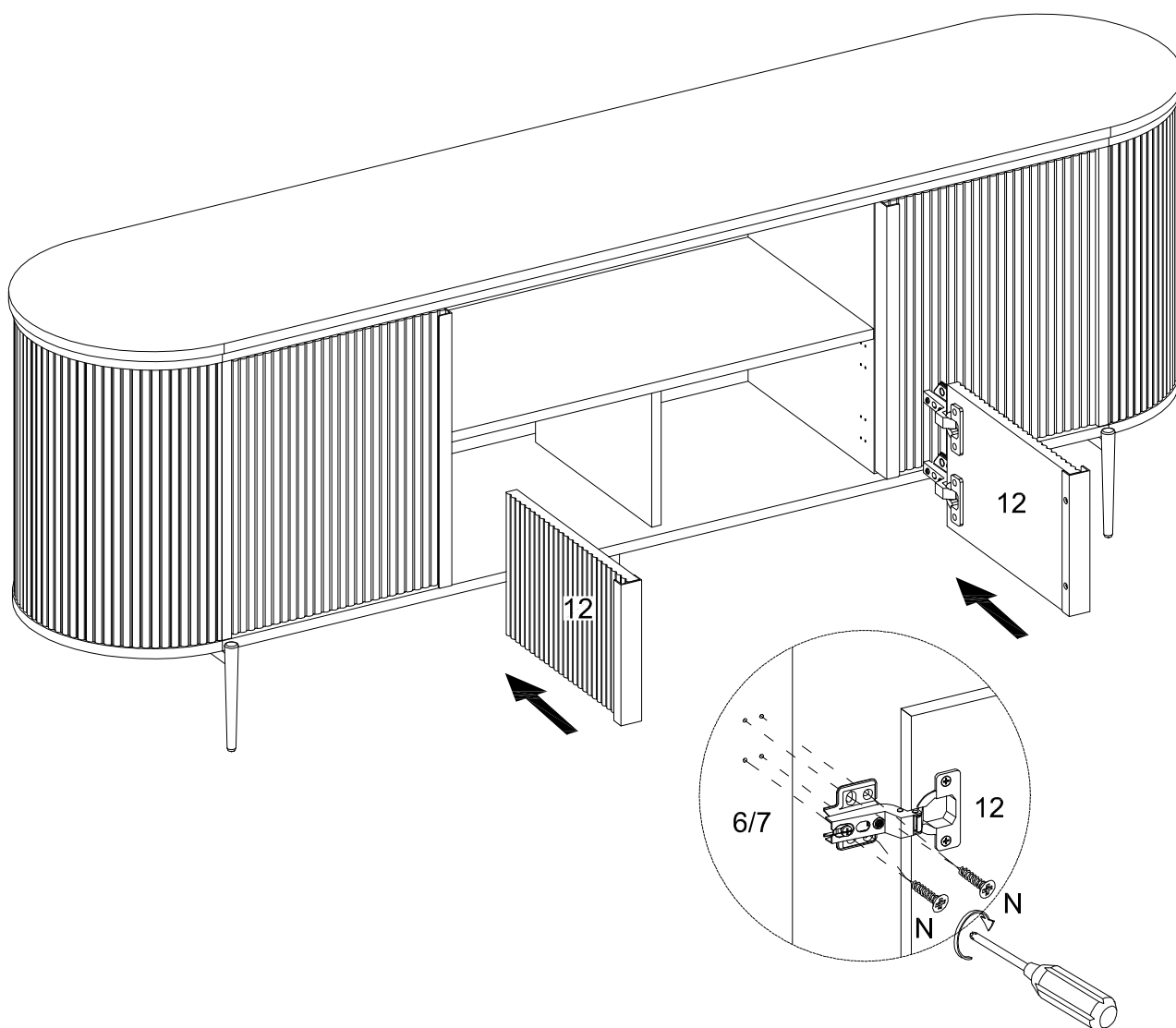
Step 17 x2



Step 18



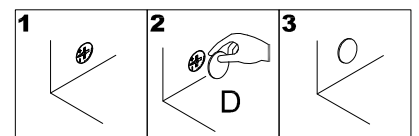
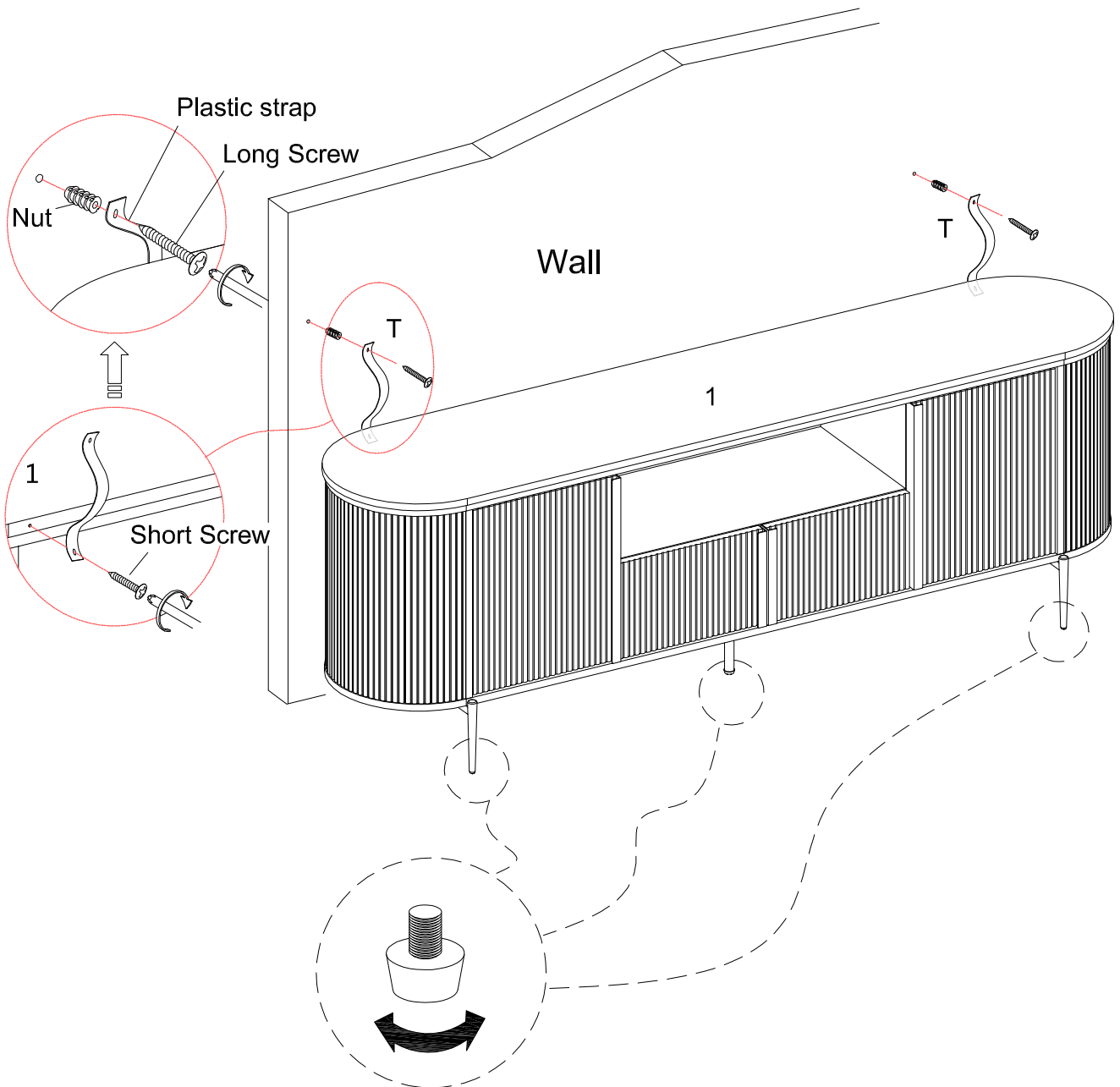
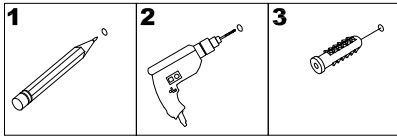
Step 19



Step 20

WARNING

You must install the tip restraint hardware to help prevent any accidents or damage to the unit. We strongly recommend attaching the tip restraint hardware to a wall stud and your unit. For all other wall types, please visit your local hardware store to obtain the proper hardware.



Final Assembly