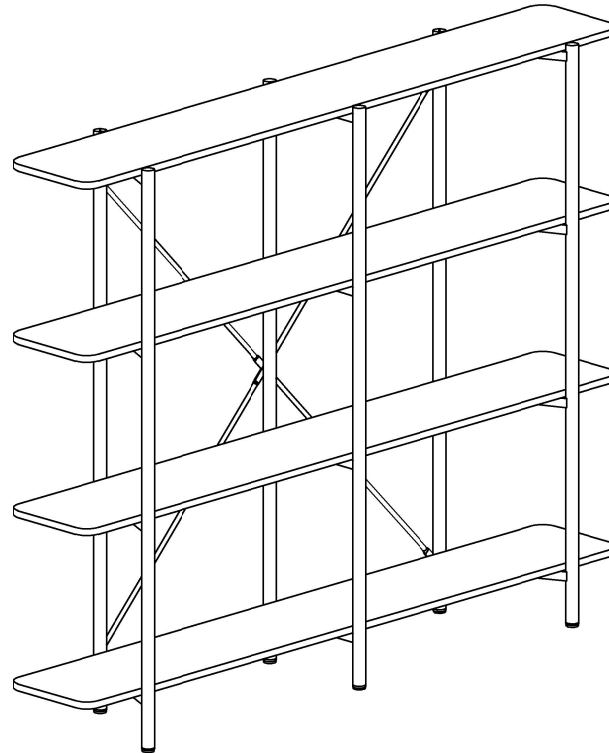


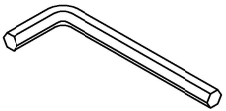
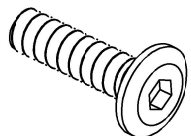
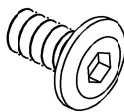
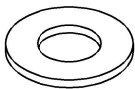
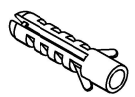
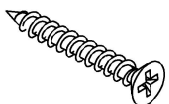
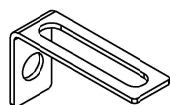
Assembly Instruction

TIPS: Before installation, please read the assembly instructions carefully.

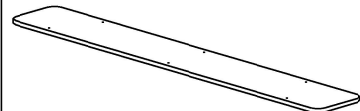
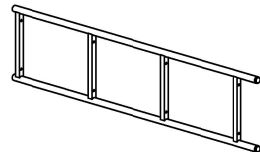
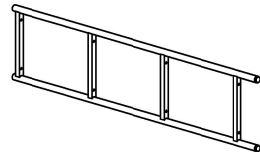
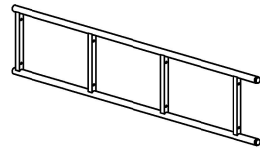
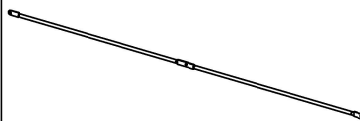


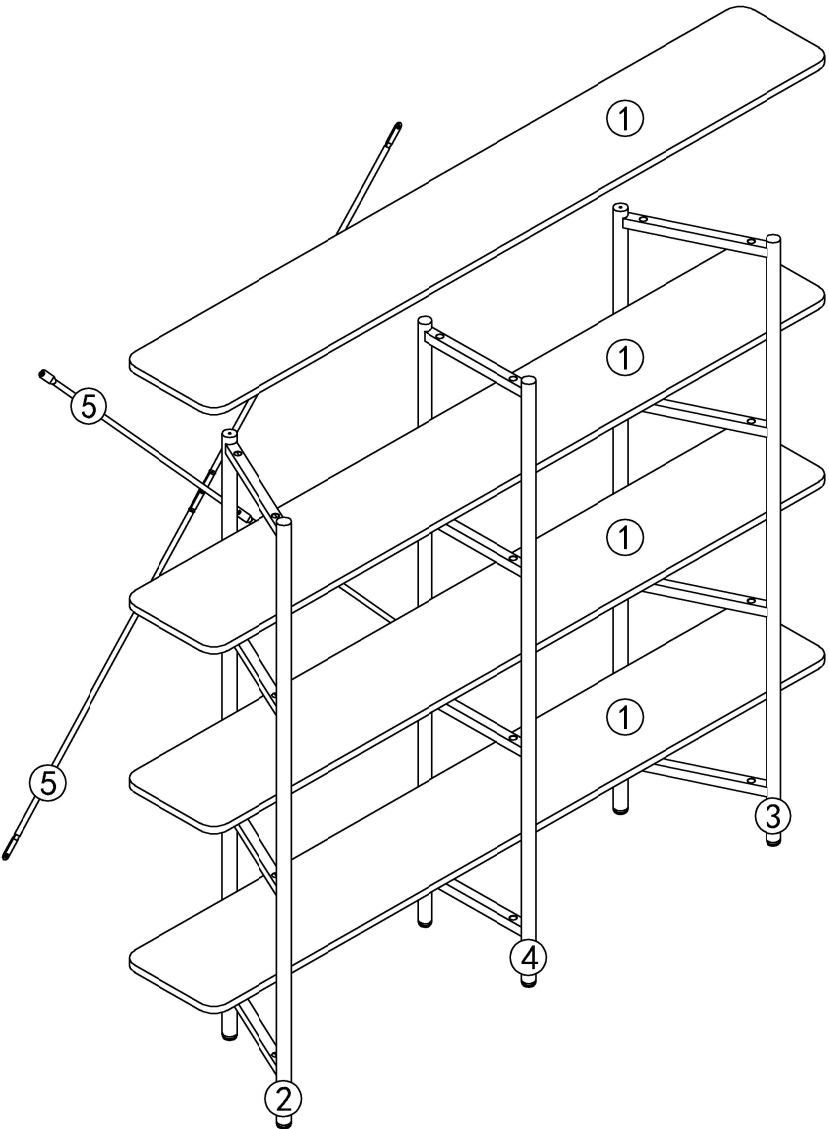
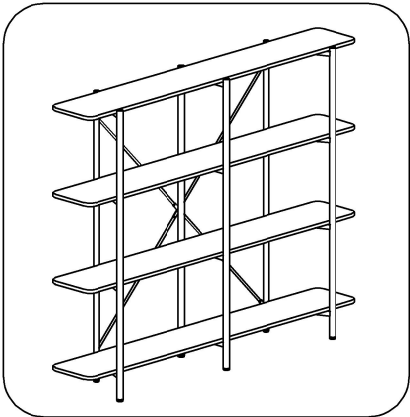
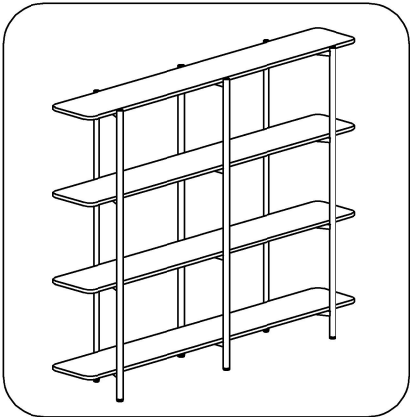
Phone number : (951) 213-4743
E-mail : Service@clihome.net
Web : www.clihome.net

HARDWARE LIST:

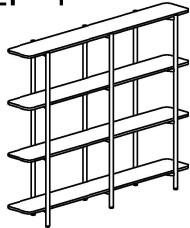
LABEL	PICTURE	DESCRIPTION	QTY
A		ALLEN KEY ($\phi 4$)	1PC
B		SCREW (M6*40)	24PCS
C		NUT (M6*16)	7PCS
D		WASHER ($\phi 16-\phi 6*1.5$)	31PCS
E		RUBBER PLUG ($\phi 6*30$)	2PCS
F		SCREW (M4*30)	2PCS
G		BRACKET (46*25*14)	2PCS

PART LIST:

LABEL	PICTURE	DESCRIPTION	QTY
1		SHELF PANEL	4PCS
2		LEFT SIDE FRAME	1PC
3		RIGHT SIDE FRAME	1PC
4		MIDDLE SIDE FRAME	1PC
5		CONNECTING BAR	2PCS

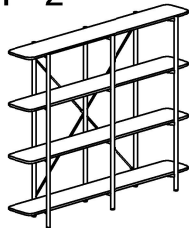


STEP 1

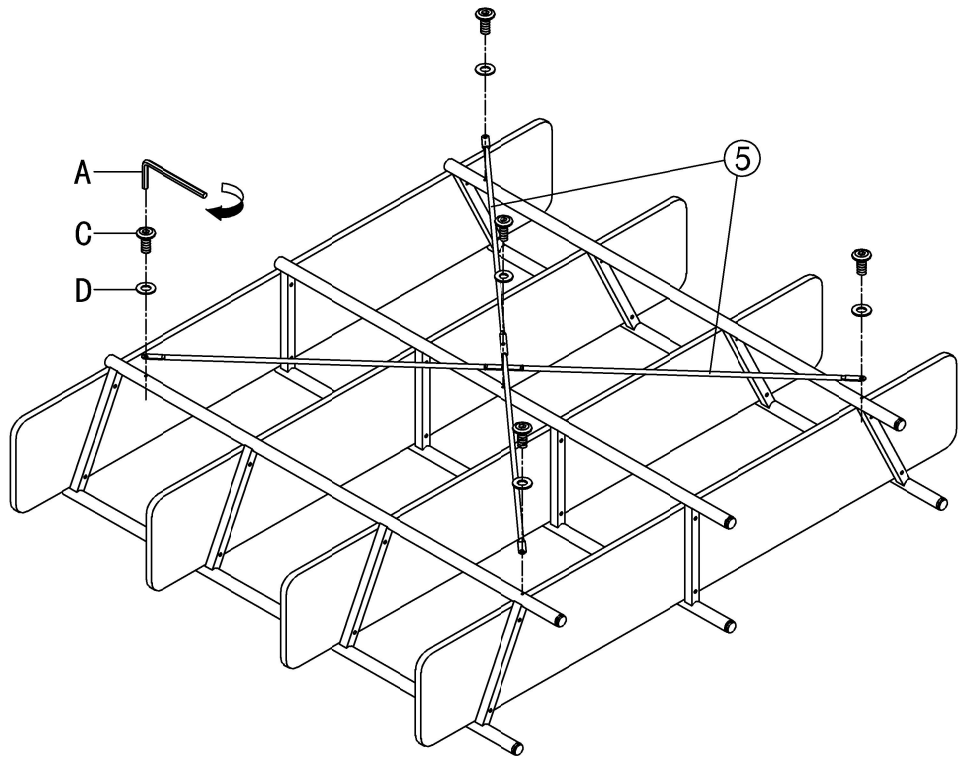
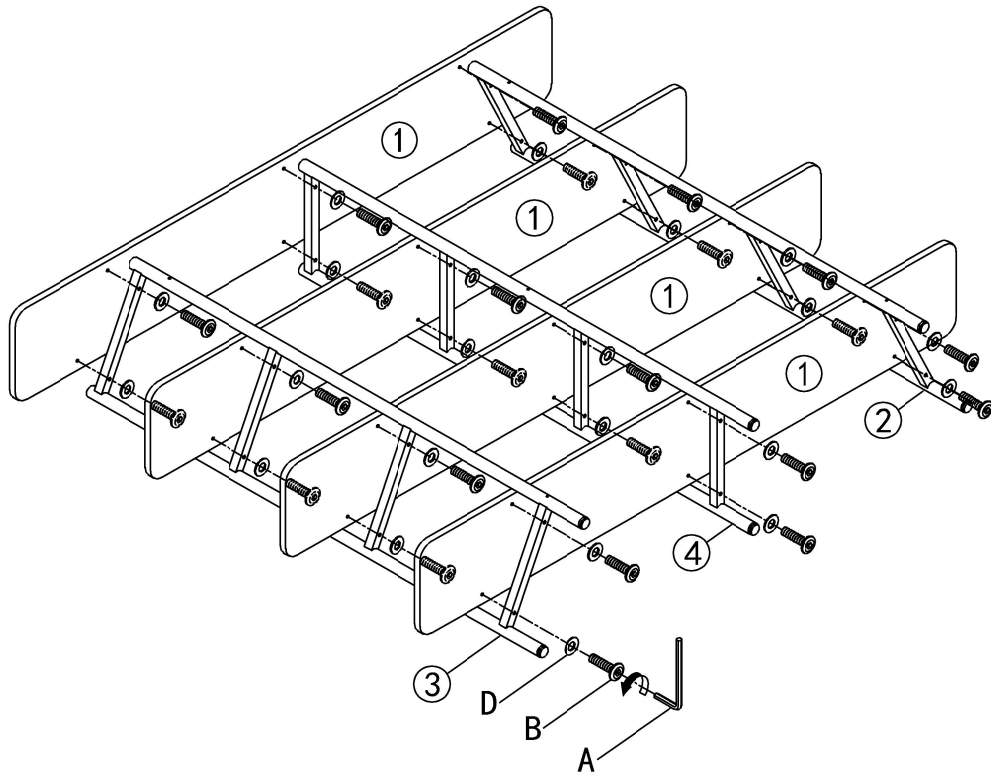


LABEL	PICTURE	QTY
A		1PC
B		24PCS
D		24PCS

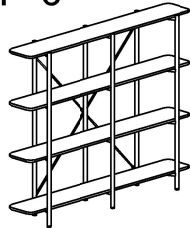
STEP 2



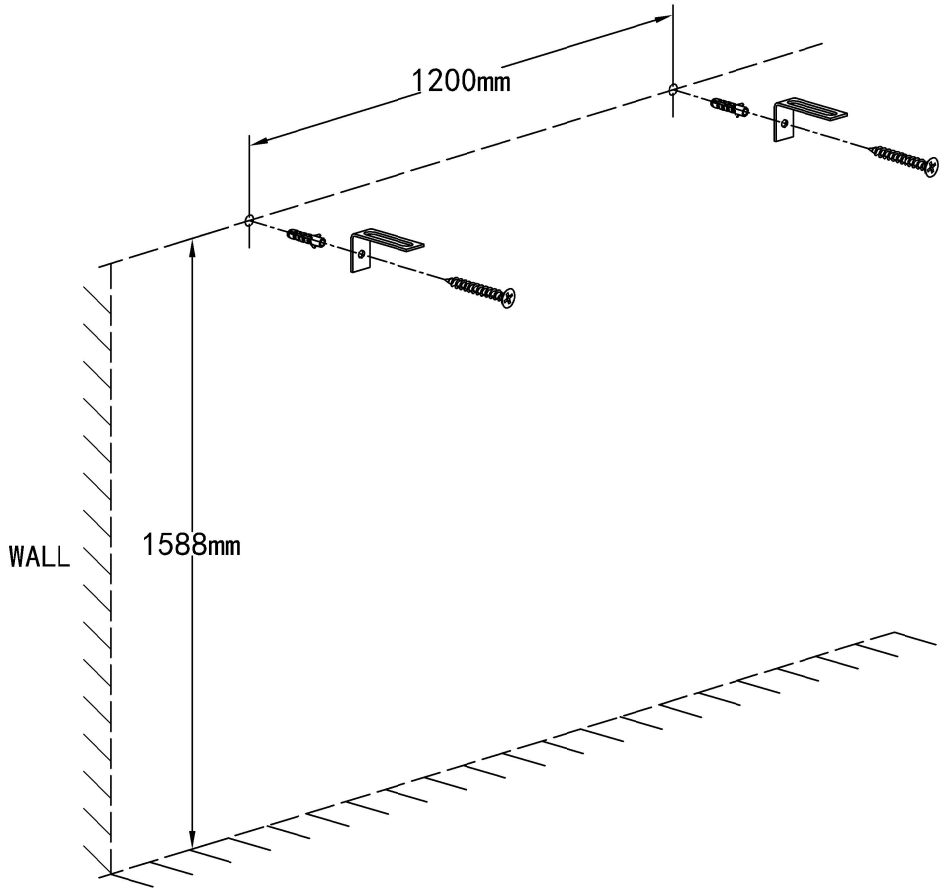
LABEL	PICTURE	QTY
A		1PC
C		5PCS
D		5PCS



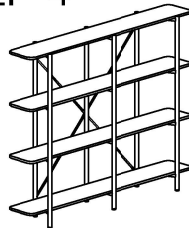
STEP 3



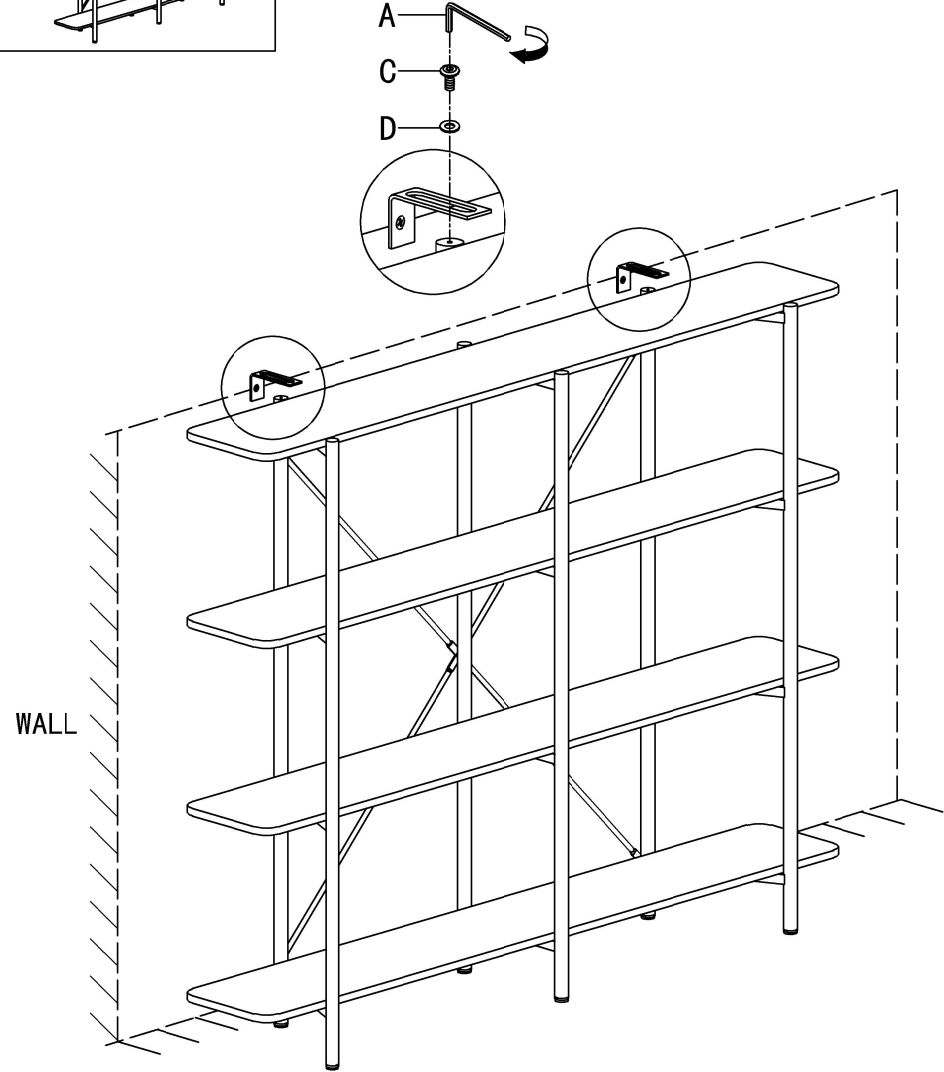
LABEL	PICTURE	QTY
E		2PCS
F		2PCS
G		2PCS

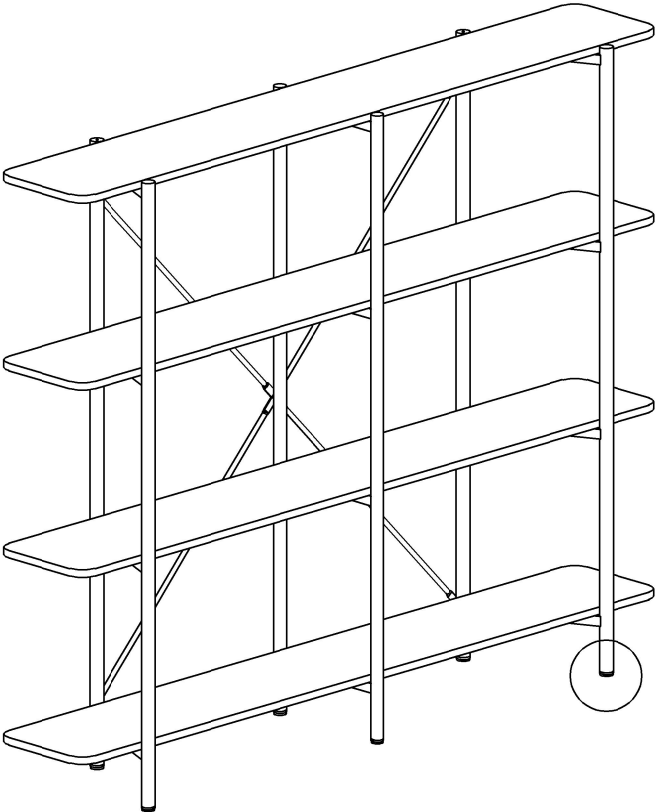
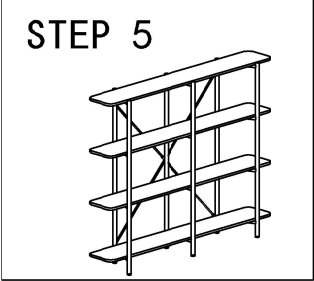


STEP 4

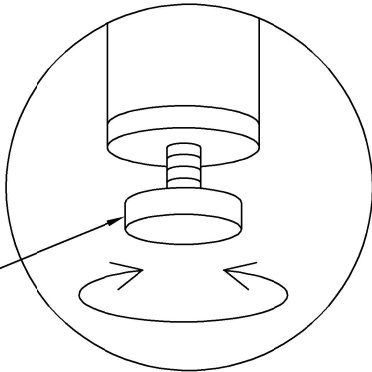


LABEL	PICTURE	QTY
A		1PC
C		2PCS
D		2PCS





ADJUSTABLE LEVELERS



To ensure the unit is level on the floor, please use the adjustable leveler on the bottom of each leg.