

DREAMS

IDEA

Instruction Manual



DREAMS/DEA

CS0006-ARMLESS

ABOUT US

DREAMSIDEA IS A ONE-STOP HOME
FURNISHING AND SERVICE COMPANY BASED IN USA.
WE ARE DEDICATED TO BRING YOUR DREAM HOME TO LIFE.
OUR SERVICES COVER FROM DESIGN, PRODUCTION,
DIRECT SELL, STORAGE, AND TRANSPORTATION.

IF REALITY IS THE NEAR SHORE
AND IDEALISM THE FAR SHORE,

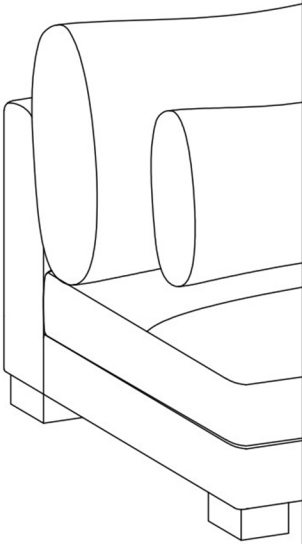
DREAMSIDEA
AS THE FERRY BETWEEN THEM,
EAGER TO ACCOMPANY YOU ON A JOURNEY
TO YOUR IDEAL HOME.



ITEM NO.CS0006-ARMLESS

WARRANTY

We strive to offer high quality product and we also try our best to satisfy each customer that order from us, no matter on products or services as needed. Each customer receives a record of their order, such as the order number or item receipt. For any items that are out of warranty period, you may still be able to purchase the replacement parts from our company if they are available.



Are you having difficulty
with assembly? Missing parts?

Please contact us : info@firstopintl.com

Tel:(562)-781-3327

send an email with your order No. to us

For return, please check the return policy with
the retailer or platforms you bought from.

Appreciate your purchasing from us.

Pop up your life by our furniture !

MAINTENANCE AND WARNING

Please read the manual thoroughly
before you start installing.

Please keep the product away from
sharp object.

Packaging and small parts may have
chocking hazard, please keep them away
from children and pets.

Please clean the product according to each
clean code, check the product description
for more information.

Please keep the product away from fire.

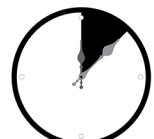
If you have any other questions, please
contact us, we will be glad to help you out.

If the product is placed under direct
sunlight, the pattern or color might fade
away overtime.

Check the product periodically to make
sure everything is secured and tightened.

Always use proper tools for installation.

Do not jump on the product.



Around 20 min

PRDOUCT DESCRIPTION

Premium Corduroy Upholstery: Upholstered in soft-touch ribbed corduroy that offers a warm texture, high durability, and a cozy appearance suitable for everyday lounging.

Solid Wood Frame & Legs: Built with kiln-dried solid wood for a strong foundation, paired with solid wood legs that provide excellent stability and a natural, rustic touch.

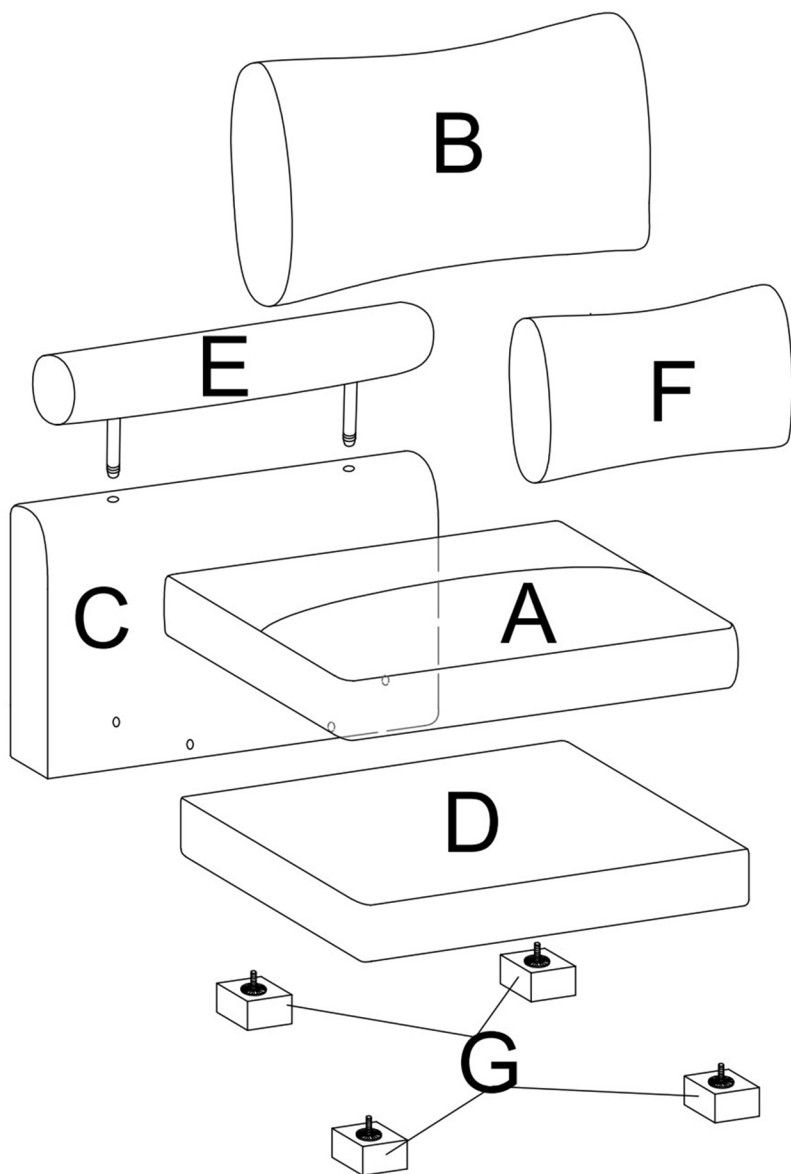
Multi-Layered Cushioning: Features a supportive seat made of high-density foam, synthetic fiberfill, and built-in pocket springs for long-lasting comfort and shape retention.

Comfort-Focused Design: Ergonomically engineered to reduce pressure and fatigue during extended use, making it ideal for daily relaxation or social gatherings.

Added Accessories: Includes a lumbar pillow for lower back support and a matching throw pillow to enhance both comfort and visual appeal.

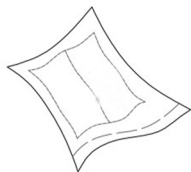


EXPLODED VIEW



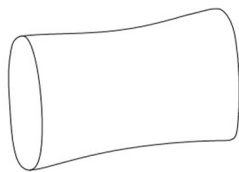
PARTS

A*1



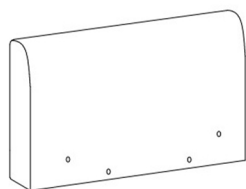
Seat cushion

B*1



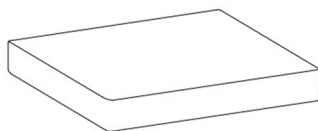
Back cushion

C*1



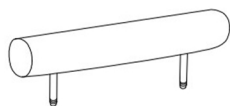
Backrest frame

D*1



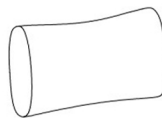
Seat frame

E*1



Headrest

F*1



Waist cushion

G*4



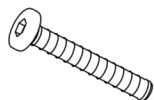
Legs

HARDWARE

TOOL LIST

NOTE: Designated with (★) We provide additional spare parts in the hardware package

①*4



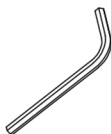
Bolt

②*4



Flat washer

③*1

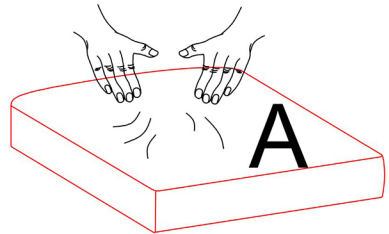
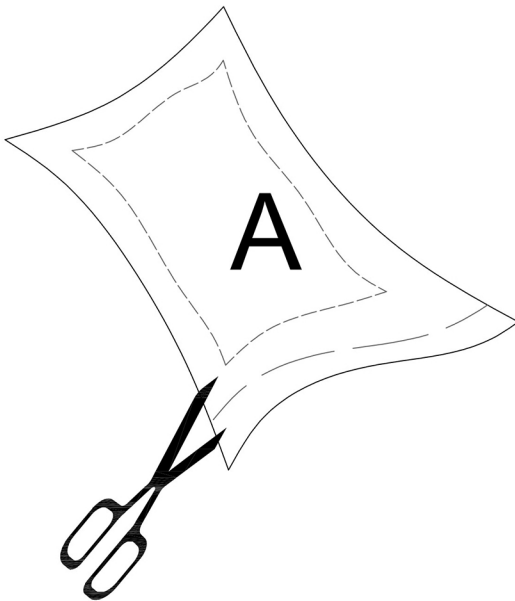
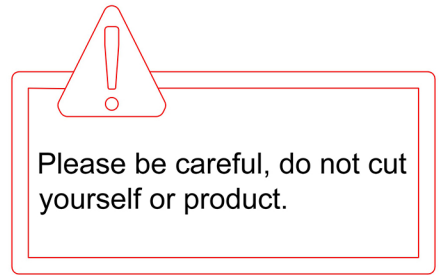


Allen key

Please make sure all hardware&packing material fitting the list. Especially some small accessories may be missing during transportation. Please contact us if you have any question.

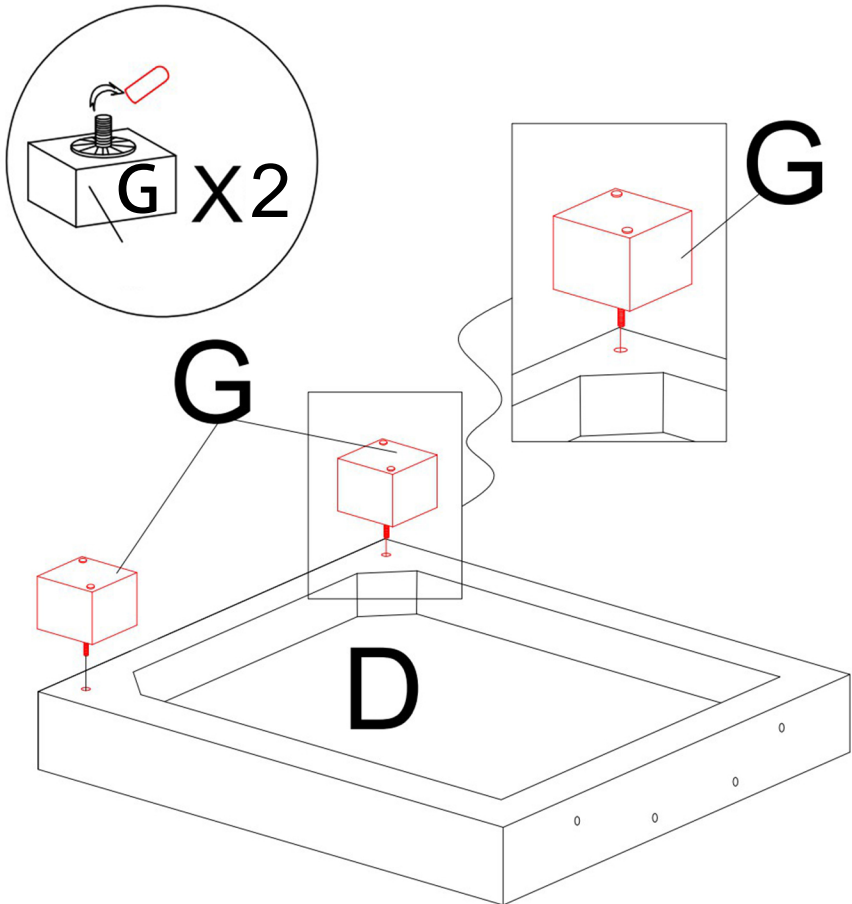
step 1

After taking out of the cushions (A) from the air compression bag, please allow it to recover for a period of time. It might take up to 48 hours to be fully recovered, you may gently slap onto the cushion to speed up the process.



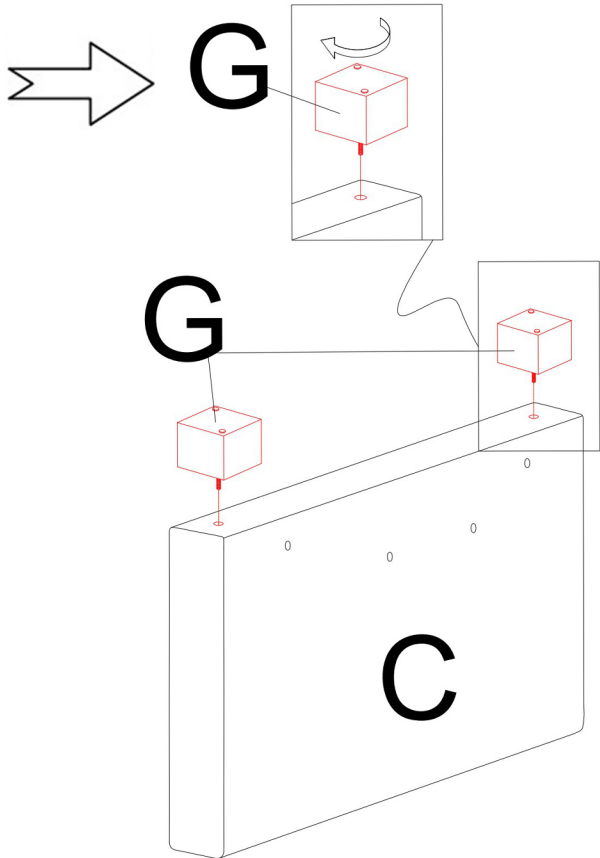
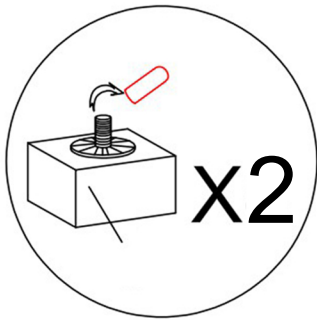
step 2

Remove the plastic caps from the bolt parts of the wooden legs, Place the seat frame on its side on a clean surface, then twist the wooden legs(G) clockwise into each corner of the seat frame(D) as shown, make sure they are fully tightened.



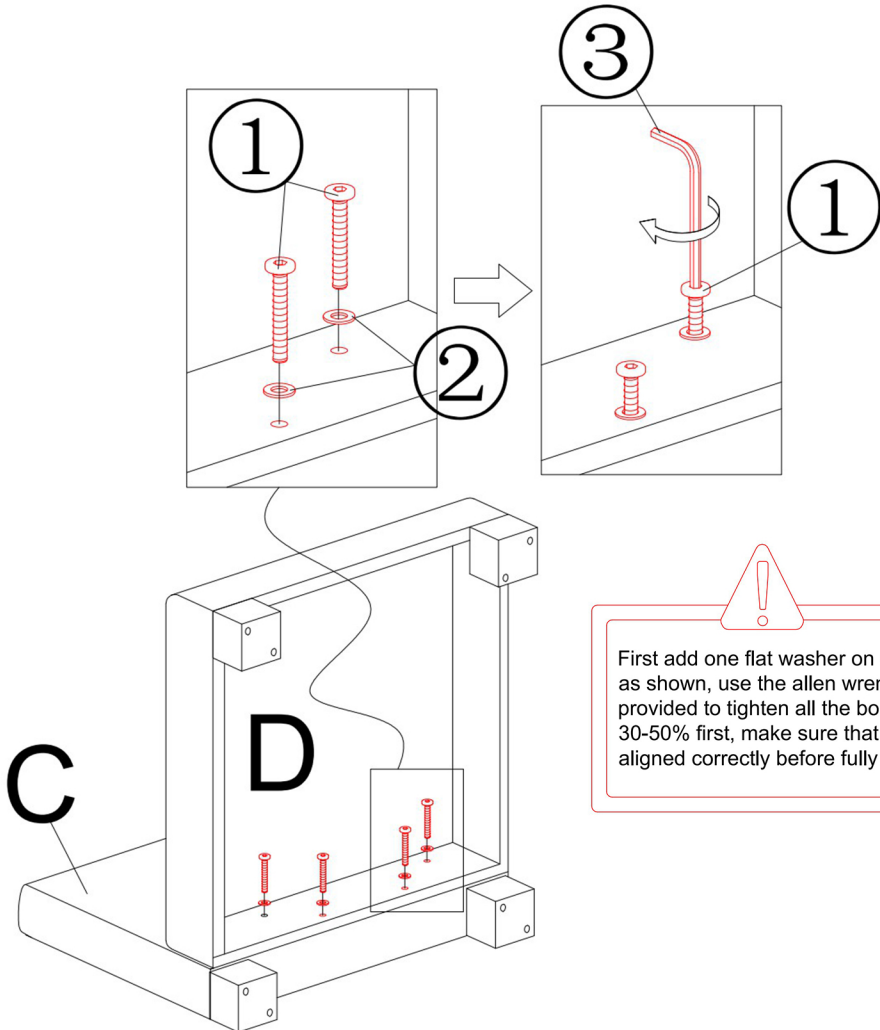
step 3

Remove the plastic caps from the bolt parts of the wooden legs(G), Place the backrest frame(C) on its side on a clean surface, then twist the wooden legs(G) clockwise into each corner of the backrest frame(C) as shown, make sure they are fully tightened.



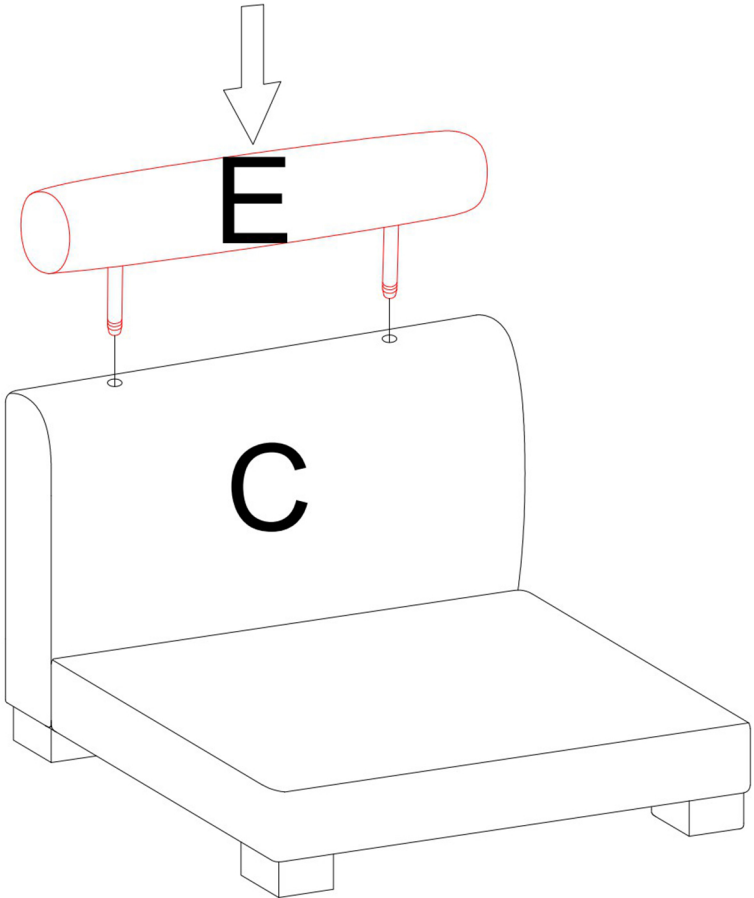
step 4

Place the seat frame (D) on its side as shown, and put all four screws (①) and flat washer (②) into the predrilled holes. Align all four screw holes, then use the allen key (③) provided to tighten them.



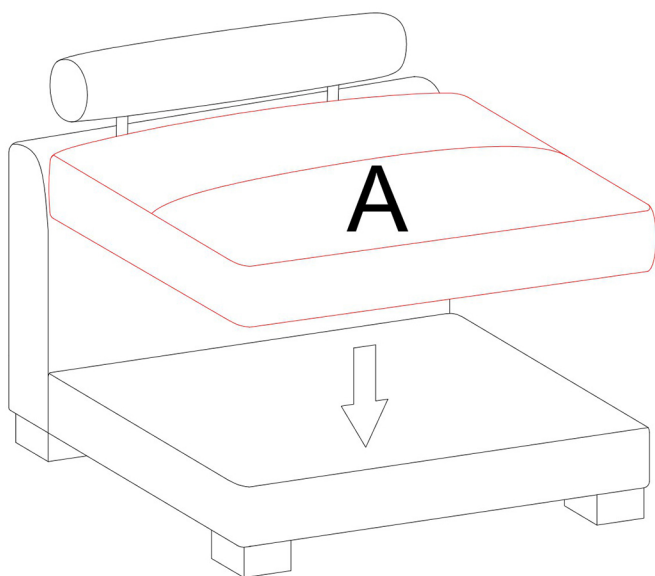
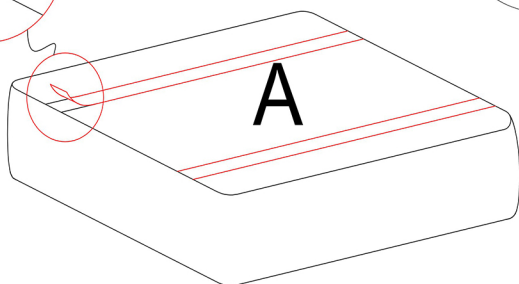
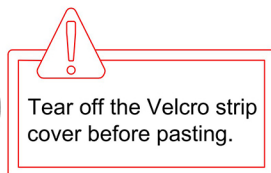
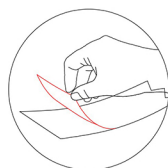
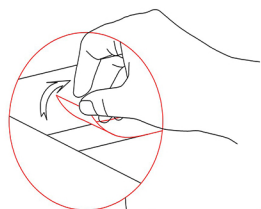
step 5

Insert headrest (E) into the backrest (C) as shown, make sure they are aligned. There are three levels of adjustment for the headrest.



step 6

Tear off the Velcro tape covers on the bottom of the cushions(A),and place the cushions(A) onto the sofa as shown.



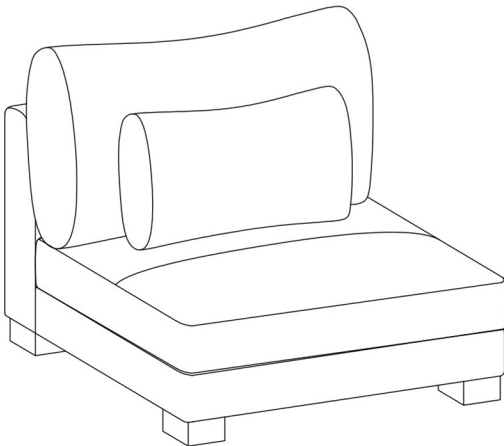
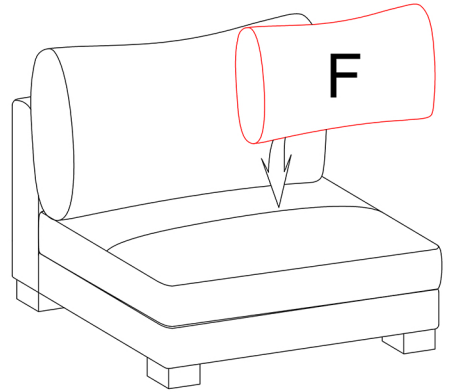
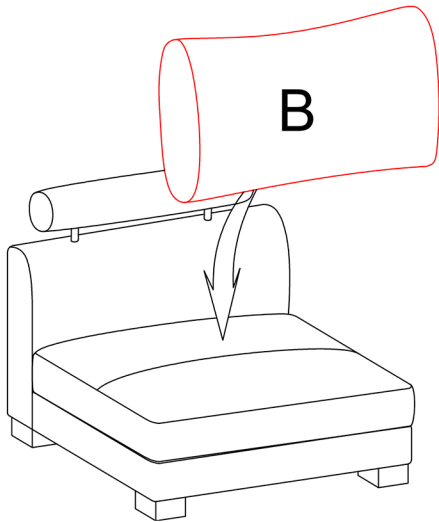
step 7

Place the back cushion (B) onto the sofa.

Place the waist cushion (F) onto the sofa.

Congradulations, the assembly is complete!

Thank you again for choosing our product! Please enjoy!





ASSEMBLY INSTRUCTIONS

Tel.(562)-781-3327

Please contact us:info@firstopintl.com

<https://www.dreamsidea.com>