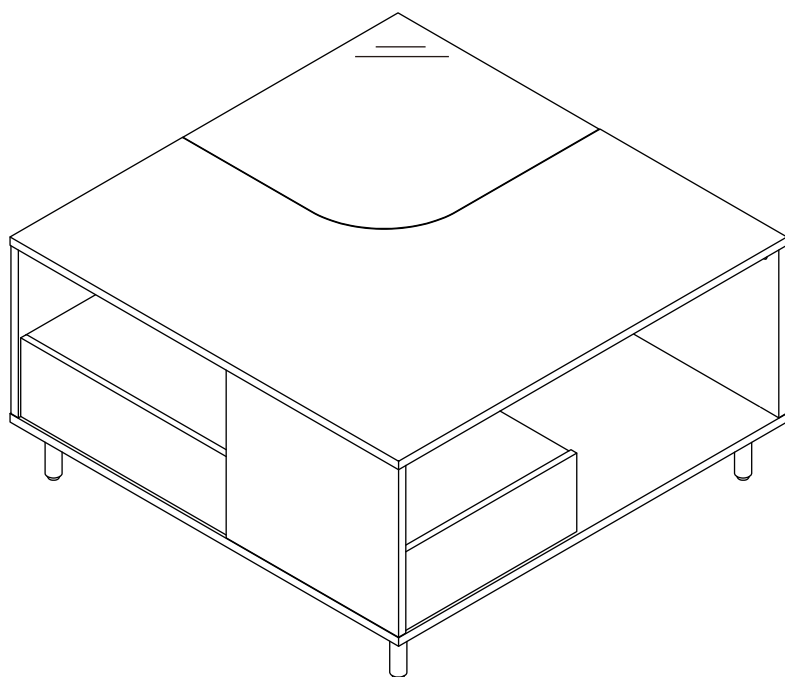


ASSEMBLY INSTRUCTIONS



TOOLS REQUIRED



**Phillips
Screwdriver**

(Not Included)



**2 - People
Recommended**

ASSEMBLY RATING



EASY —————> DIFFICULT

The Assembly Rating is a 5-point system showing the level of effort needed to assemble a specific product.



CHECK BEFORE STARTING

Are you missing anything?

Double-check all parts, hardware and accessories listed are all accounted for.

Check out our Quick Tips!

We recommend reviewing the pre-assembly handouts. Even experts need a refresher now and then!

Should we send any replacements?

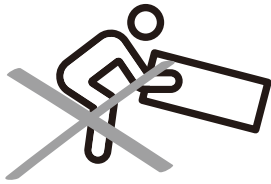
Are there any irregularities or flaws in the parts? We can send replacements!

Prep Time!

Please review the assembly instructions and all diagrams prior to assembling. Arrange parts as recommended on Page 7 and group identical hardware together to make assembling easier.

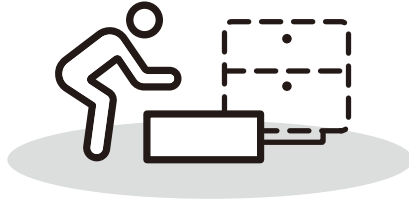
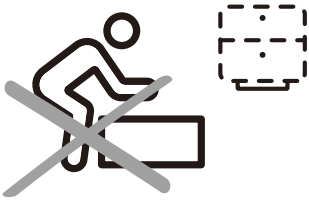
PRE ASSEMBLY INTRODUCTION

We understand building ready-to-assemble furniture can be a challenging experience for some. To help avoid confusion, we have provided some helpful tips that may speed up the process.



Teamwork

ALWAYS have at least two people to help with transporting and assembling the product to avoid potential injury and/or damage.



Suitable Location

Assembling near the area of the intended location is highly recommended.



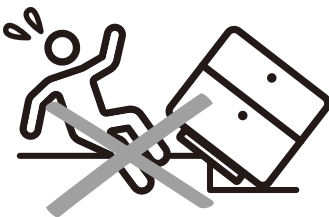
Sufficient Space

Make sure you have enough space to move around during the assembly.



Avoid Scratches

Use cardboard, blankets or a carpeted area while assembling furniture to prevent scratches.



Flat Surface

Make sure the furniture rests on a flat and level surface with each leg evenly touching the floor.

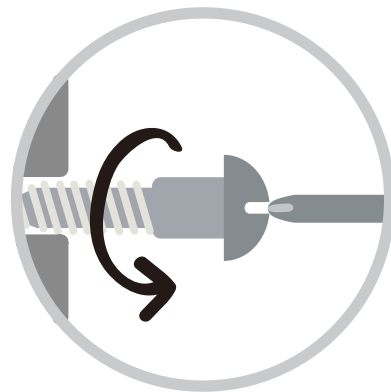
ASSEMBLY AND CARE ADVICE



FAILURE TO FOLLOW THE GUIDELINES BELOW MAY RESULT IN INJURY AND/OR PROPERTY DAMAGE.



Position each part correctly and insert screws or bolts into their respective holes.



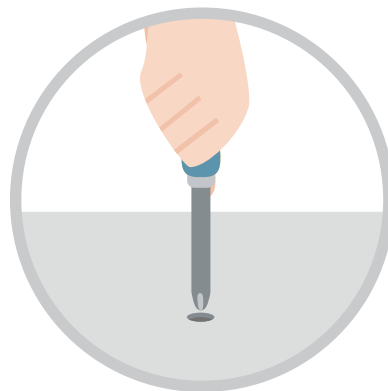
Turn clockwise to tighten and only tighten when step is completed or when instructed to do so.



Use the appropriate hand tools or power tools for assembly. Select steps, such as tightening screws and/or bolts, may require hand tools to avoid causing damage during assembly.



Save the instructions and store any supplied tools for later maintenance.



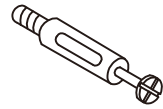
After two weeks, check and tighten any loose hardware and repeat again every six months thereafter.

IT IS THE USER'S RESPONSIBILITY TO MAINTAIN THE FURNITURE. THE HARDWARE MAY LOOSEN OVER TIME AND MAY CAUSE THE FURNITURE TO BE WOBBLY AND UNABLE TO SUPPORT ITS INTENDED WEIGHT CAPACITY. THIS MAY LEAD TO COLLAPSE AND MAY CAUSE SERIOUS INJURY.

CAM LOCK FASTENER ASSEMBLY INSTRUCTIONS

Note :

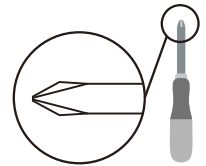
Every cam lock bolt must have a cam lock connector in order to fasten the parts together.



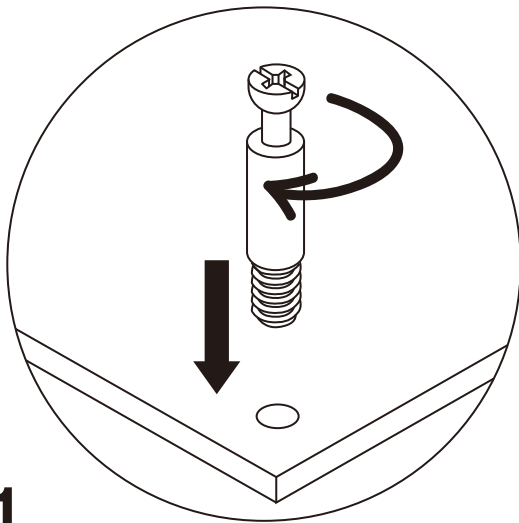
cam bolt



cam lock

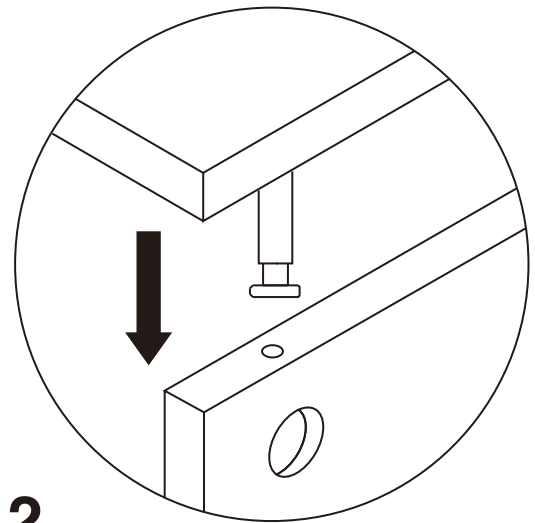


screwdriver



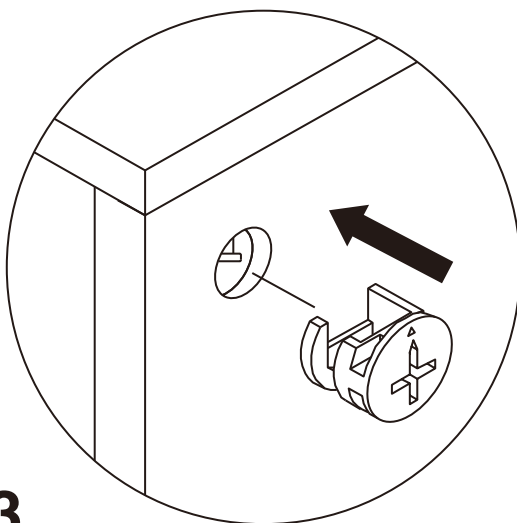
1

Screw the cam bolt into panel.



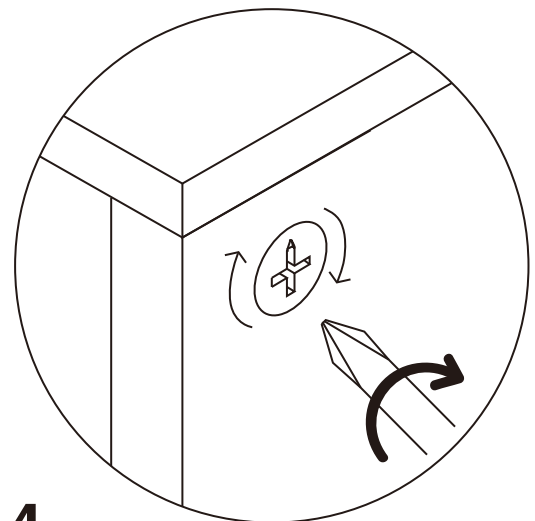
2

Insert the cam bolt into the bolt hole of joint panel.



3

Align the cam lock with its side opening (or arrow) pointing to cam bolt.



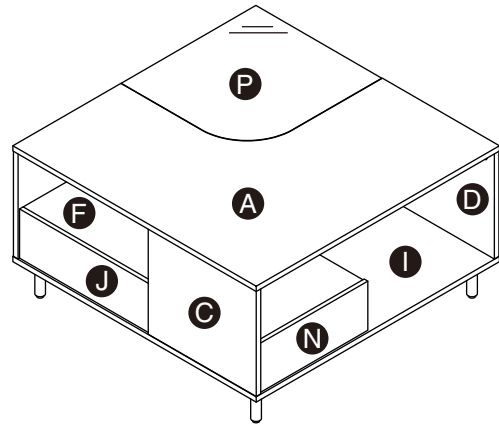
4

Turn the cam lock clockwise gently until it will not turn any more.

COFFEE TABLE

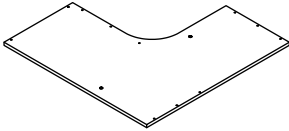


- Please keep instructions for future reference.
- Check the quantity and irregularity of parts and hardware before you start.

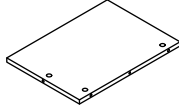


PARTS

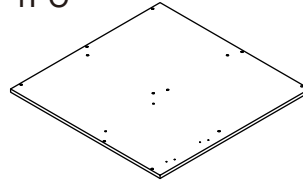
A 1PC



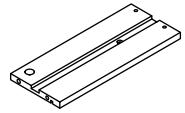
E 1PC



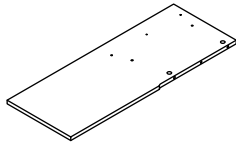
I 1PC



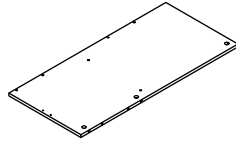
M 1PC



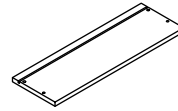
B 1PC



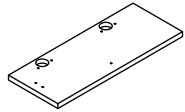
F 1PC



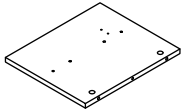
J 1PC



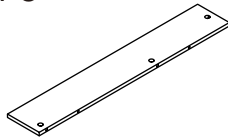
N 1PC



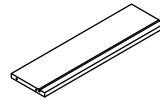
C 1PC



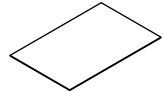
G 1PC



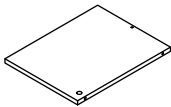
K 1PC



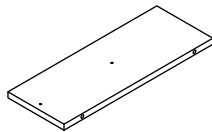
O 1PC



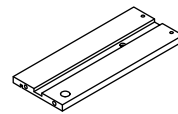
D 1PC



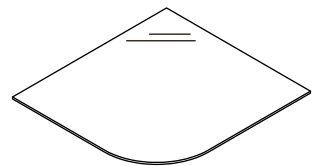
H 1PC



L 1PC



P 1PC



HARDWARE

① 16PCS ② 16PCS ③ 15PCS ④ 4PCS



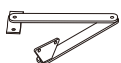
⑤ 12PCS ⑥ 2PCS ⑦ 4PCS ⑧ 2PCS



⑨ 1PC ⑩ 2PCS ⑪ 1PC ⑫ 1PC

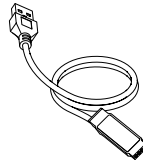


⑬ 1PC ⑭ 4PCS ⑮ 2PCS ⑯ 8PCS



ACCESSORIES

A1 1SET



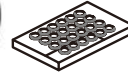
A2 5PCS



A3 10PCS



LED-500mm



A4 5PCS



A5 20PCS



A6 2PCS



A7 2PCS



A8 1PC



A9 1PC



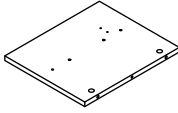
A10 5PCS



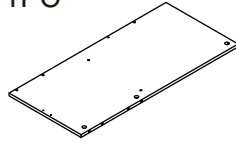
GET READY

Please group boards as below.

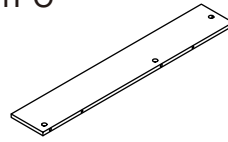
C 1PC



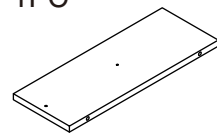
F 1PC



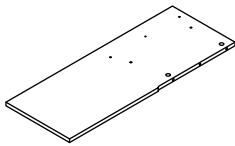
G 1PC



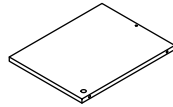
H 1PC



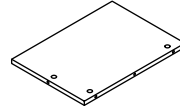
B 1PC



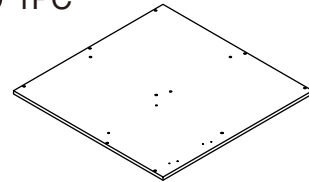
D 1PC



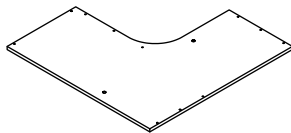
E 1PC



I 1PC

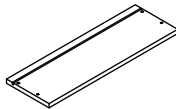


A 1PC

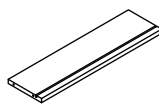


Body

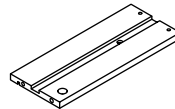
J 1PC



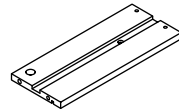
K 1PC



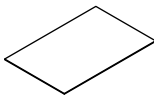
L 1PC



M 1PC

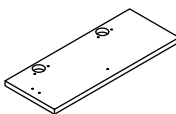


O 1PC

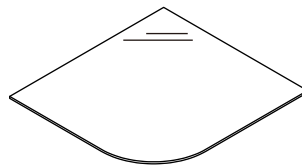


Drawer

N 1PC



P 1PC



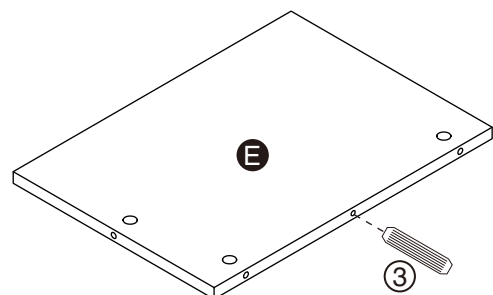
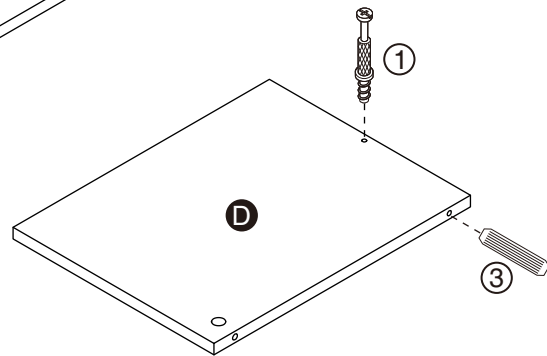
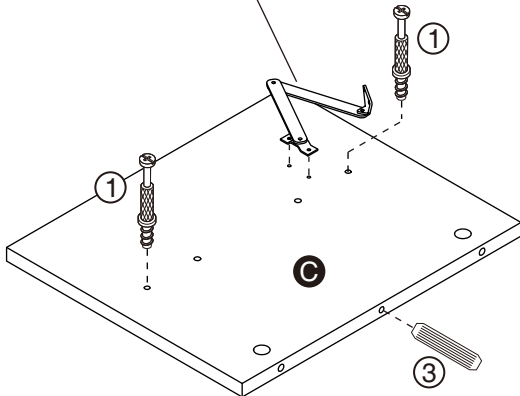
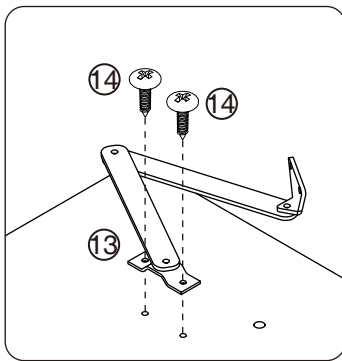
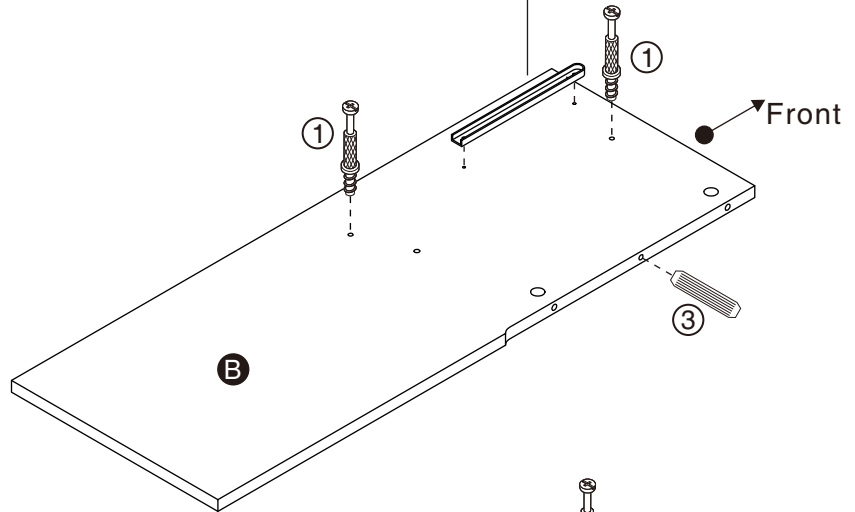
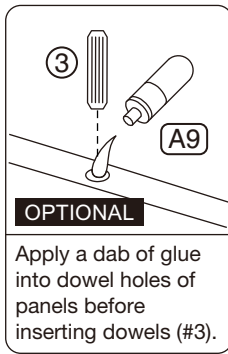
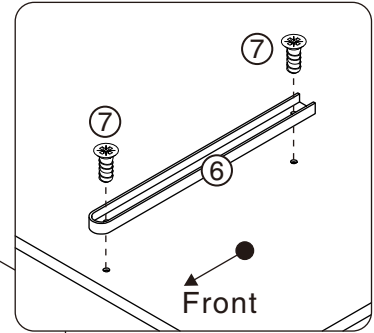
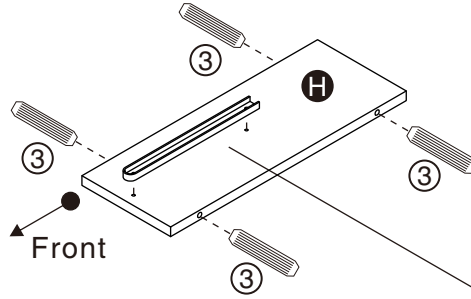
Door/Glass

ASSEMBLY INSTRUCTIONS

1

- Hardware ① x5PCS
- Hardware ③ x8PCS
- Hardware ⑥ x2PCS
- Hardware ⑦ x4PCS
- Hardware ⑬ x1PC
- Hardware ⑭ x2PCS

Accessory ⑨ x1PC

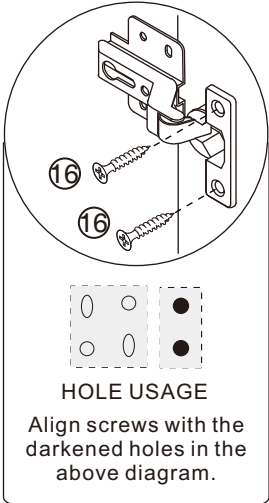
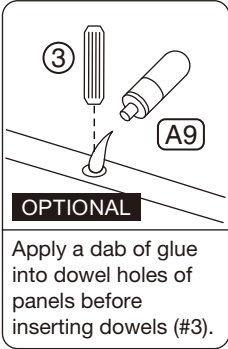
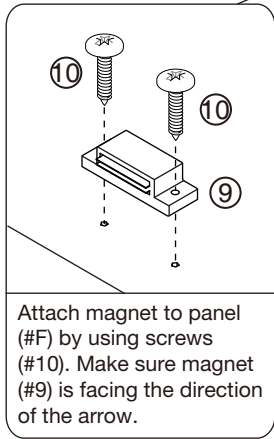
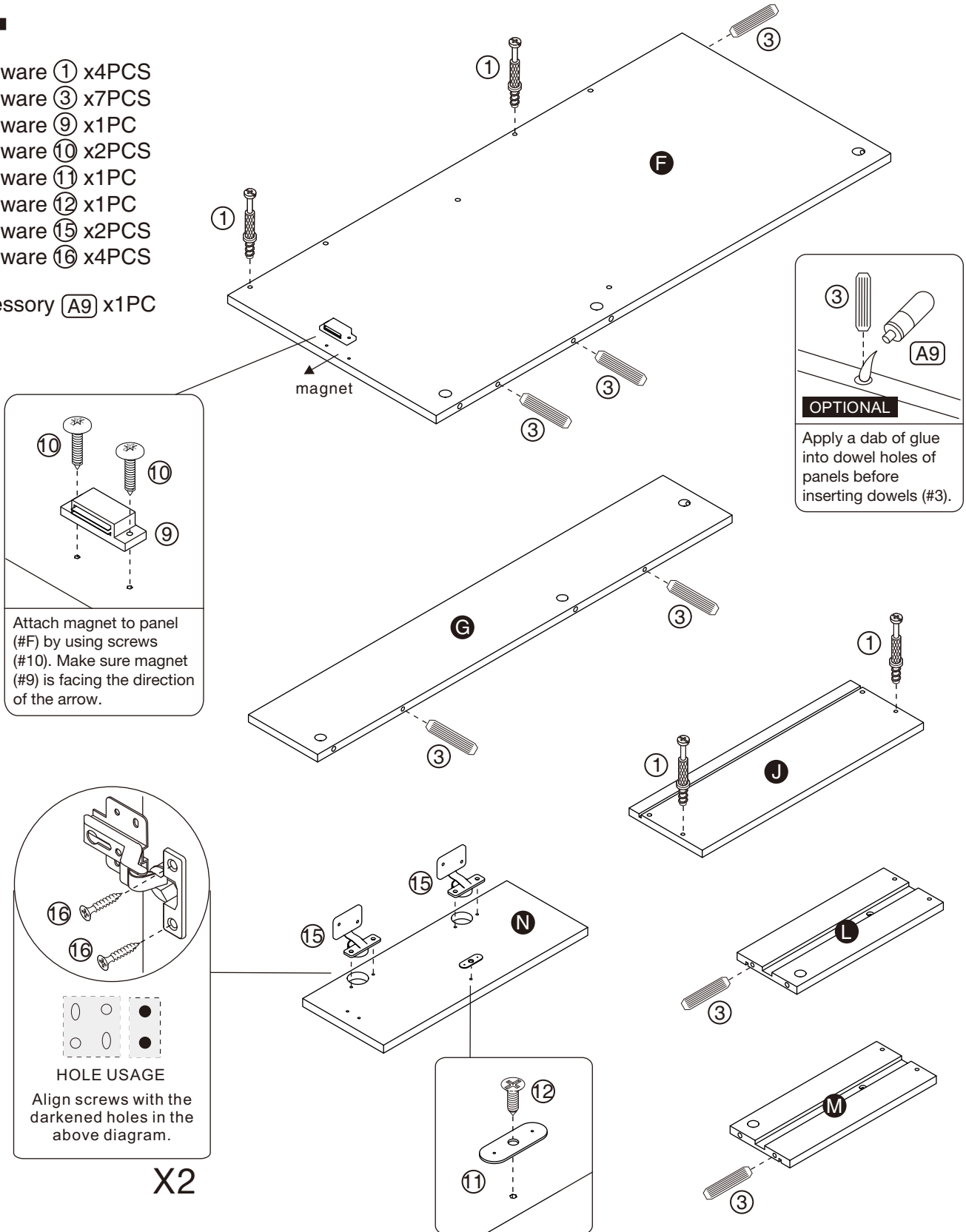


ASSEMBLY INSTRUCTIONS

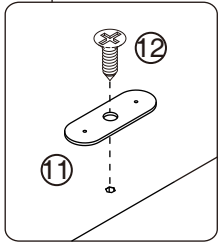
2

- Hardware ① x4PCS
- Hardware ③ x7PCS
- Hardware ⑨ x1PC
- Hardware ⑩ x2PCS
- Hardware ⑪ x1PC
- Hardware ⑫ x1PC
- Hardware ⑮ x2PCS
- Hardware ⑯ x4PCS

Accessory [A9] x1PC



X2



ASSEMBLY INSTRUCTIONS

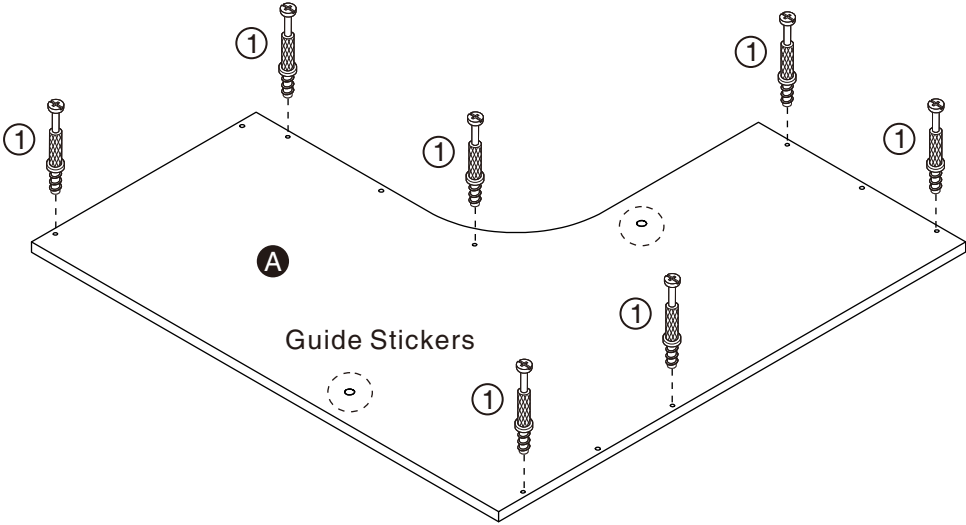
3

Hardware ① x7PCS

Accessory A1 x1SET

Accessory A2 x5PCS

Accessory A3 x10PCS



Peel double-sided tape apart.

A1

CORRECT ✓ INCORRECT X

Align the ends of the LED strip with the guide stickers. Peel the double-sided tape apart and stick the strip onto panel (#A). Try to avoid reapplying the double-sided tape.

Position the USB receiver to face outward, using the stickers as a guide to align the LED strip.

A2 A3 A3

Use (#A2,#A3) to secure and avoid placing (#A2) on an LED bead.

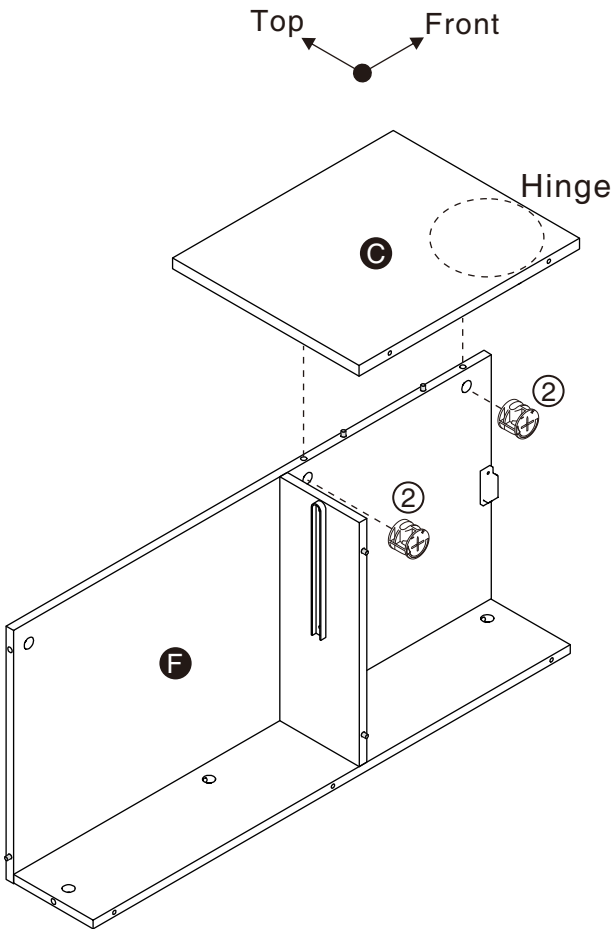
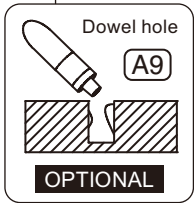
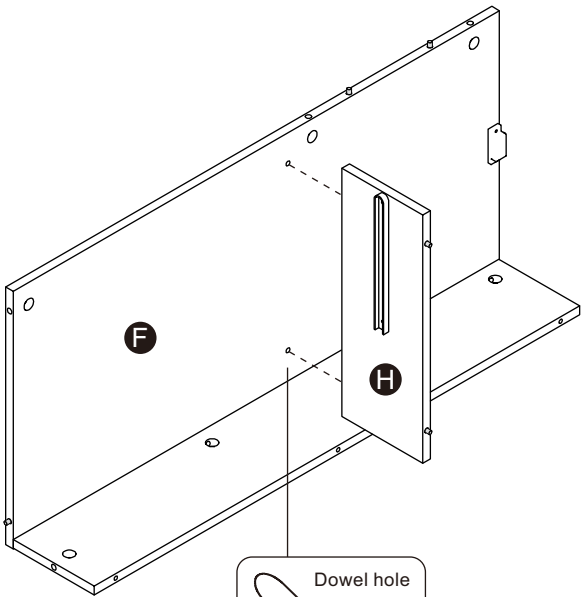
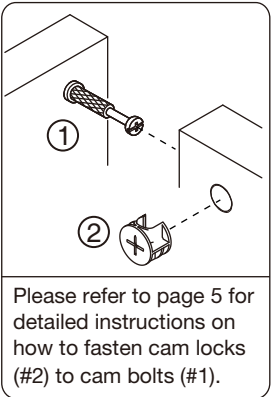
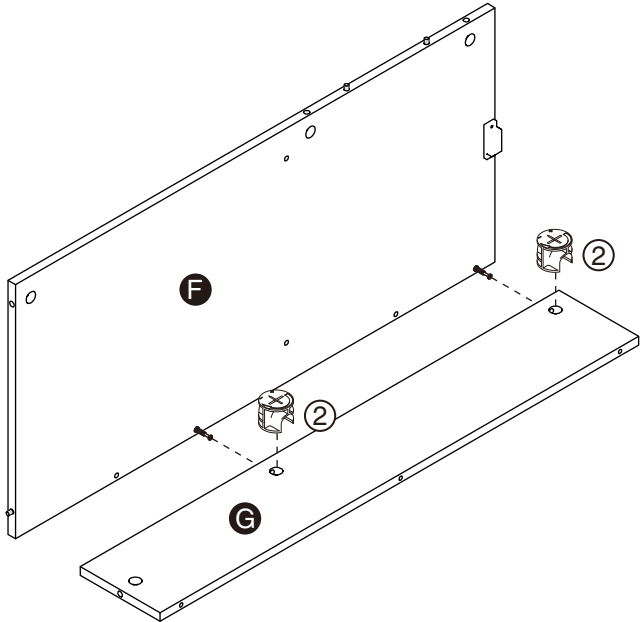
ASSEMBLY INSTRUCTIONS

4

- Part **C** x1PC
- Part **F** x1PC
- Part **G** x1PC
- Part **H** x1PC

Hardware **②** x4PCS

Accessory **A9** x1PC

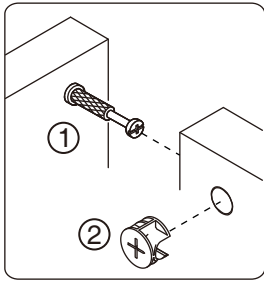


ASSEMBLY INSTRUCTIONS

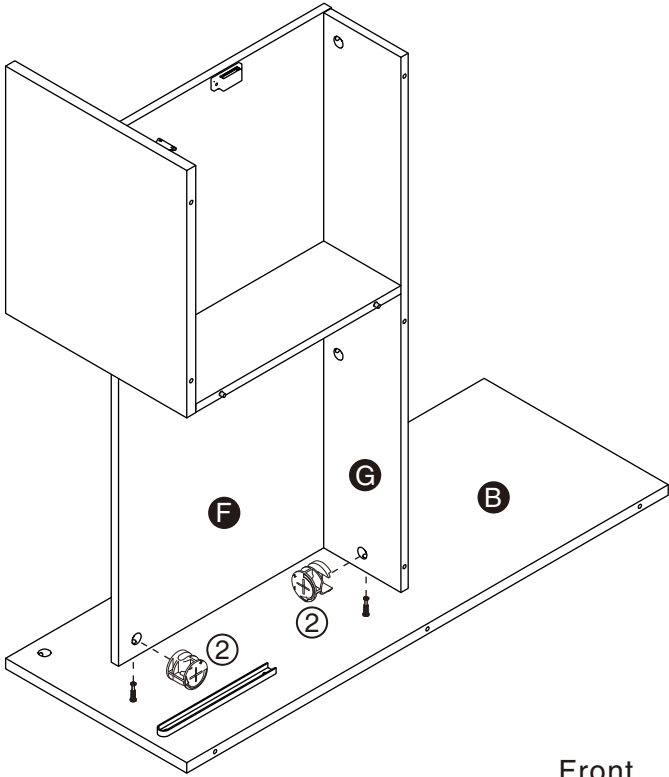
5

Part **B** x1PC

Hardware **②** x2PCS



Front
Top

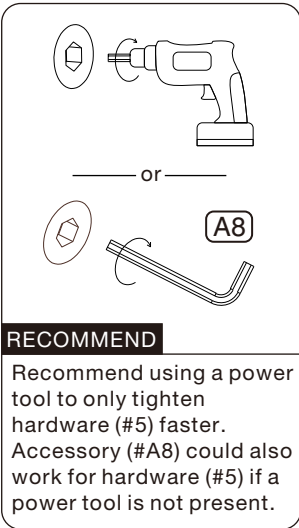


6

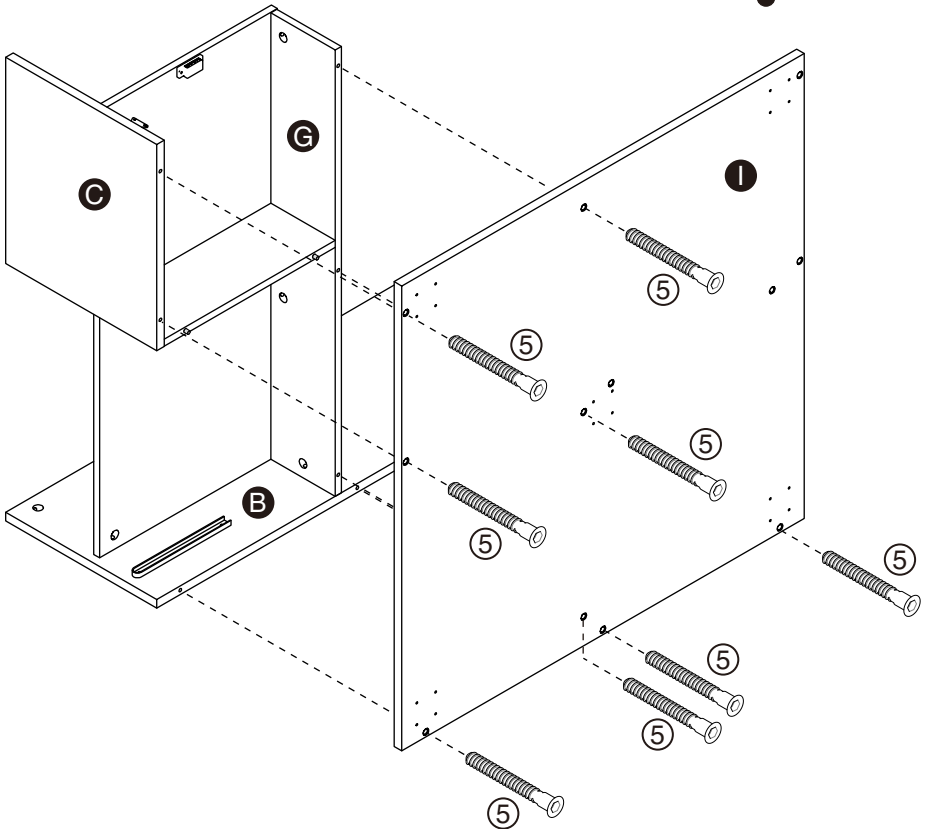
Part **I** x1PC

Hardware **⑤** x8PCS

Accessory **A8** x1PC



Front
Top



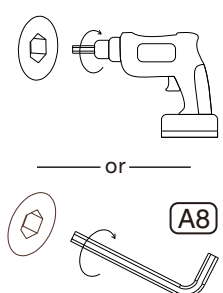
ASSEMBLY INSTRUCTIONS

7

Part **D** x1PC
Part **E** x1PC

Hardware **②** x1PC
Hardware **⑤** x4PCS

Accessory **A8** x1PC

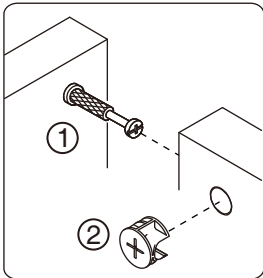
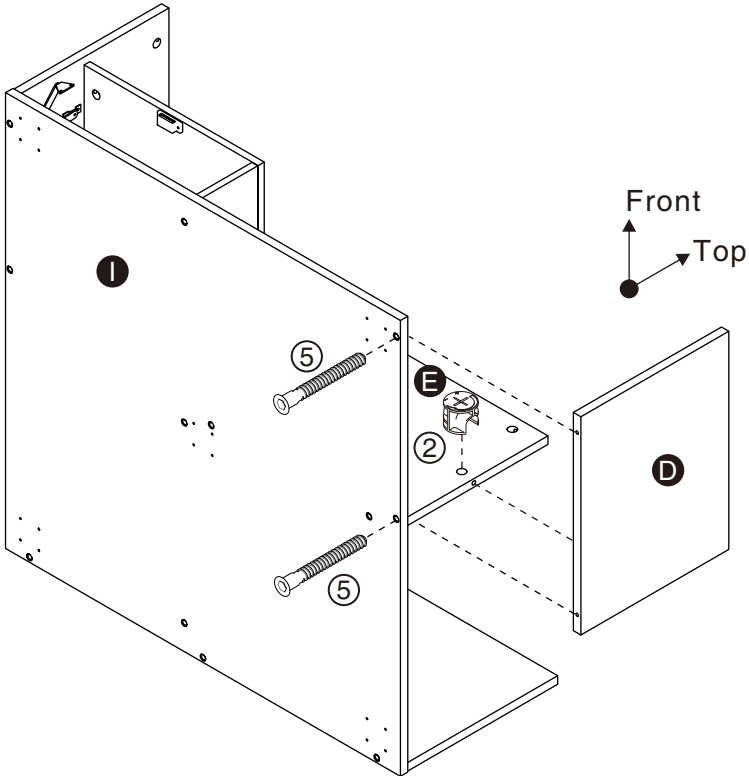
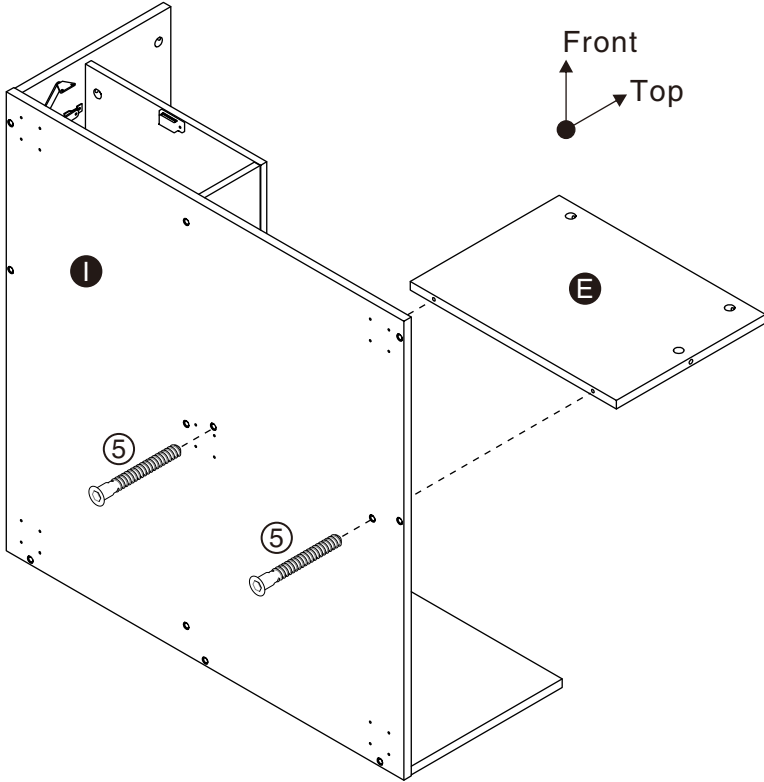


or

A8

RECOMMEND

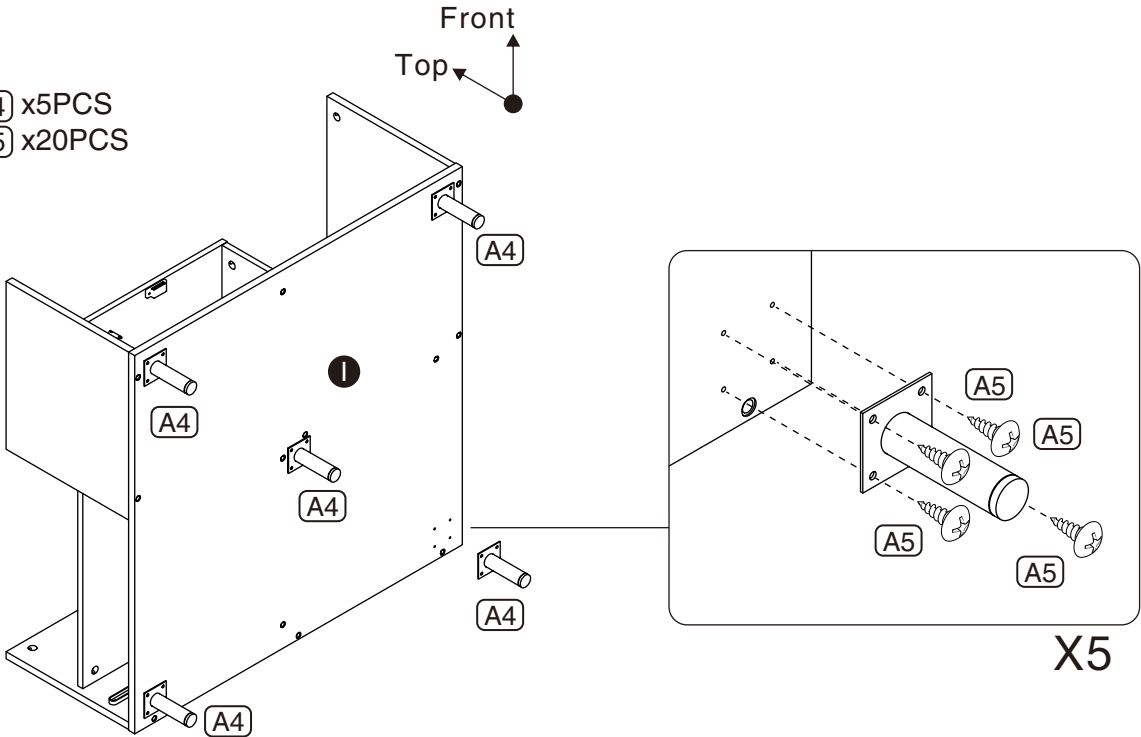
Recommend using a power tool to only tighten hardware (#5) faster. Accessory (#A8) could also work for hardware (#5) if a power tool is not present.



ASSEMBLY INSTRUCTIONS

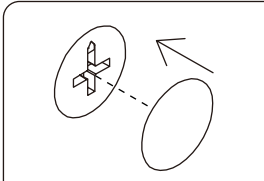
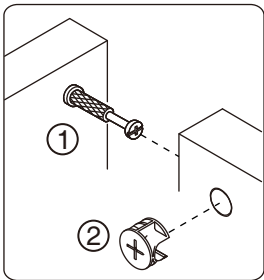
8

Accessory **A4** x5PCS
 Accessory **A5** x20PCS

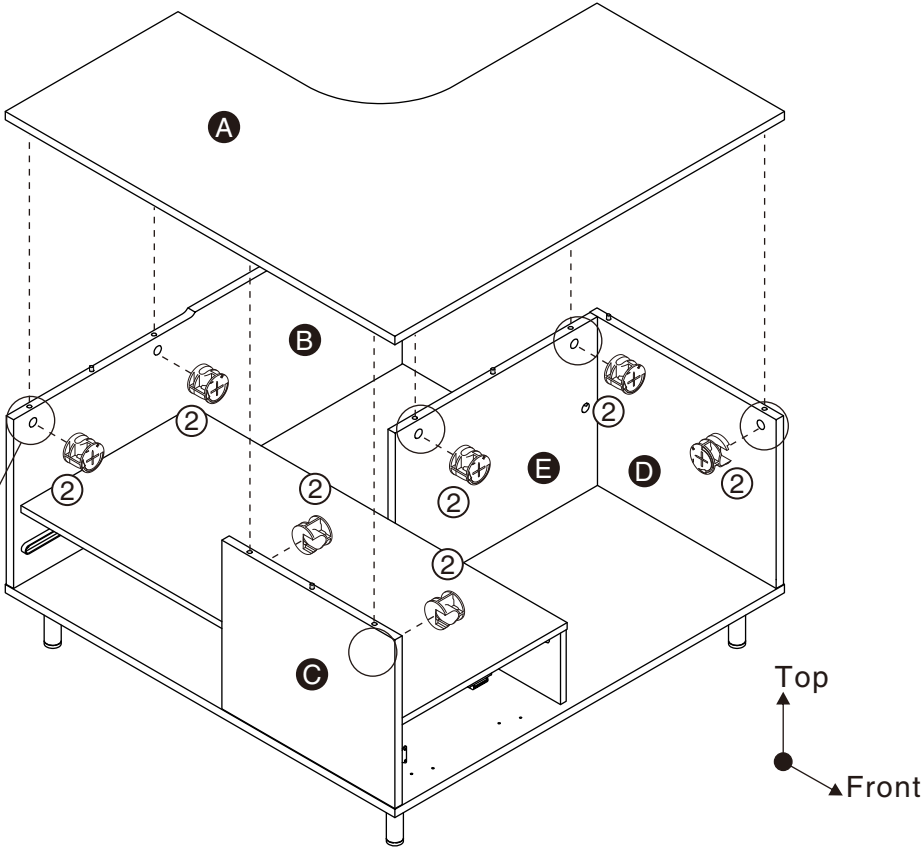


9

Part **A** x1PC
 Hardware **2** x7PCS
 Accessory **A10** x5PCS



Use the provided stickers (#A10) to cover exposed locks.



X5

ASSEMBLY INSTRUCTIONS

10

Part **J** x1PC

Part **K** x1PC

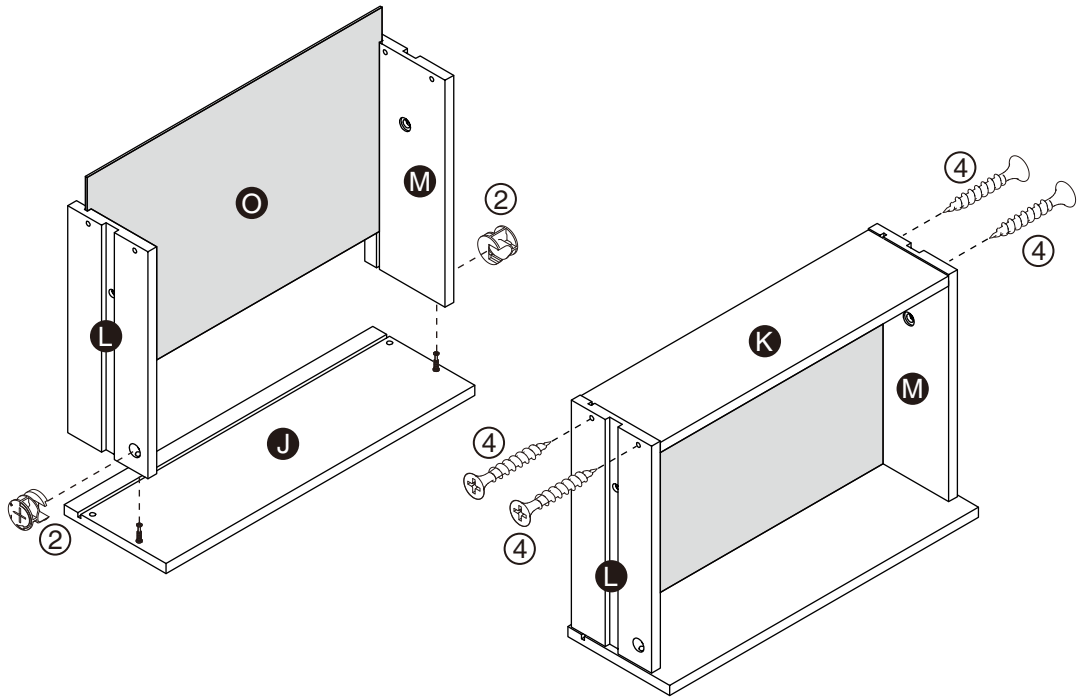
Part **L** x1PC

Part **M** x1PC

Part **O** x1PC

Hardware **②** x2PCS

Hardware **④** x4PCS



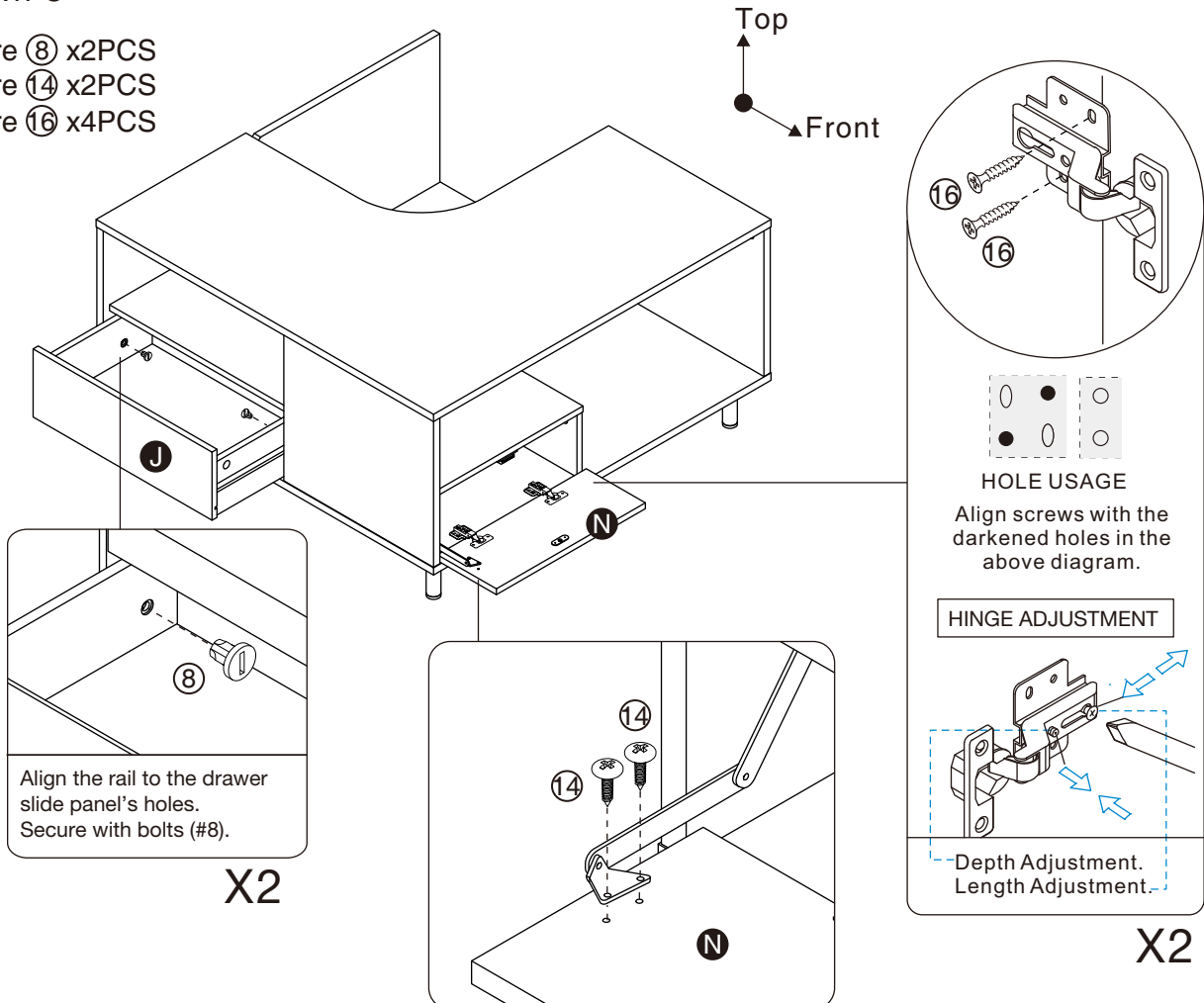
11

Part **N** x1PC

Hardware **⑧** x2PCS

Hardware **⑭** x2PCS

Hardware **⑯** x4PCS



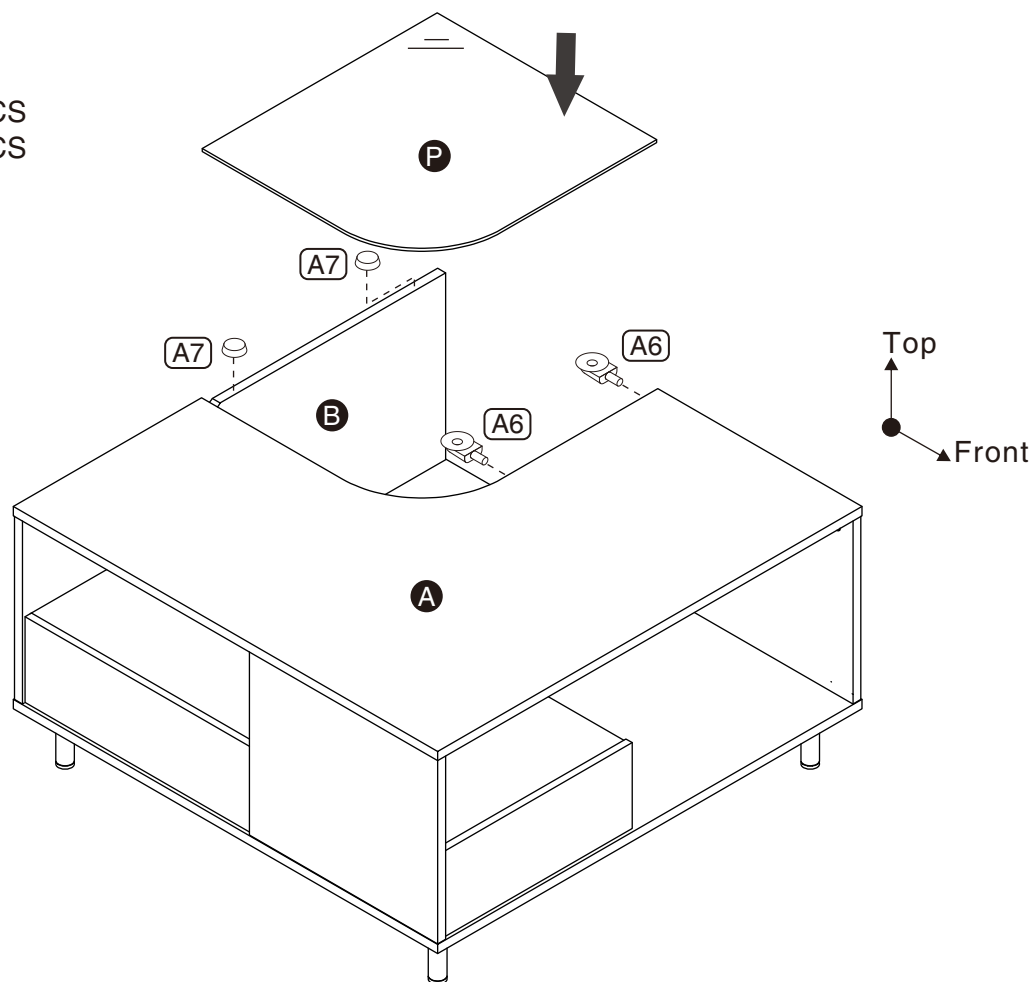
ASSEMBLY INSTRUCTIONS

12

Part **P** x1PC

Accessory **A6** x2PCS

Accessory **A7** x2PCS



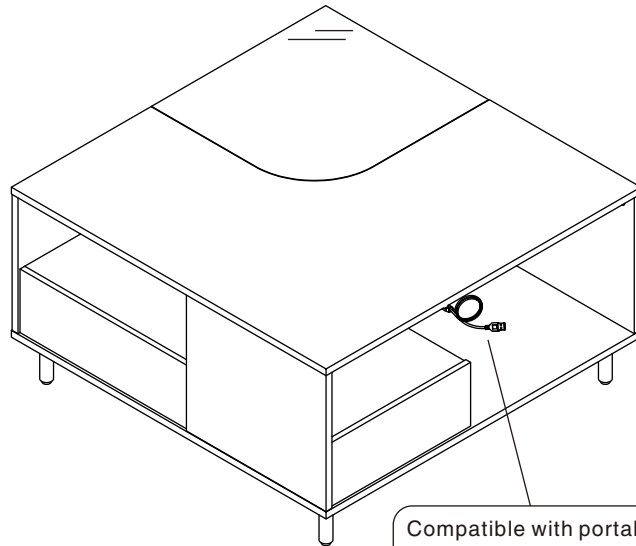
ASSEMBLY INSTRUCTIONS

13

ASSEMBLY COMPLETED



Please ensure the furniture rests on an even and flat surface. If the product wobbles or feels loose, double-check all bolts and/or screws are properly tightened and secured.



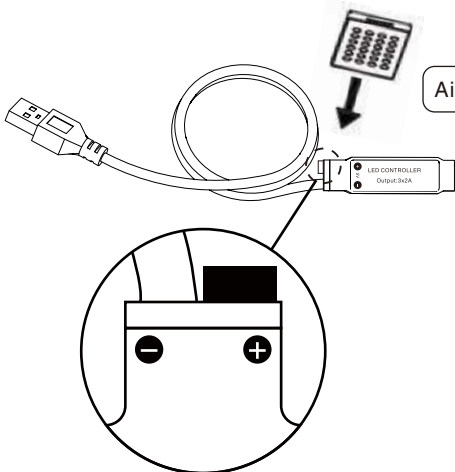
Compatible with portable charger (not included with this product).

Keep this handy!

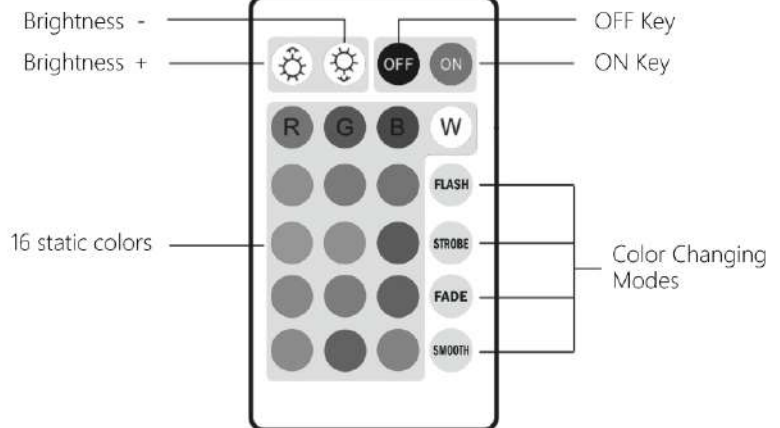
Please retain this instruction manual and any order-related information for future reference.

Lift, don't drag!

To avoid damage to product please always LIFT the product when transporting or adjusting the placement.



Aim the remote control at the LED receiver.



Please remove the plastic sheet before using the remote.