

# ASSEMBLY INSTRUCTION

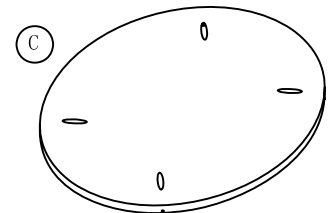
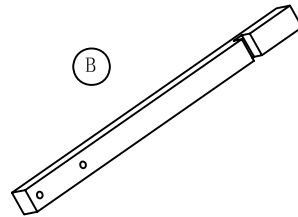
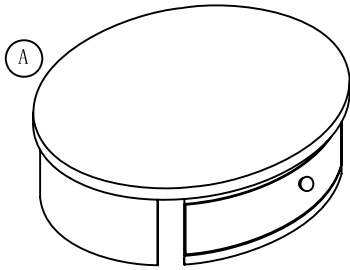
## ITEM NO:565A161W(3A)/565A163W(3A)

### DESCRIPTION:OVAL ACCENT TABLE

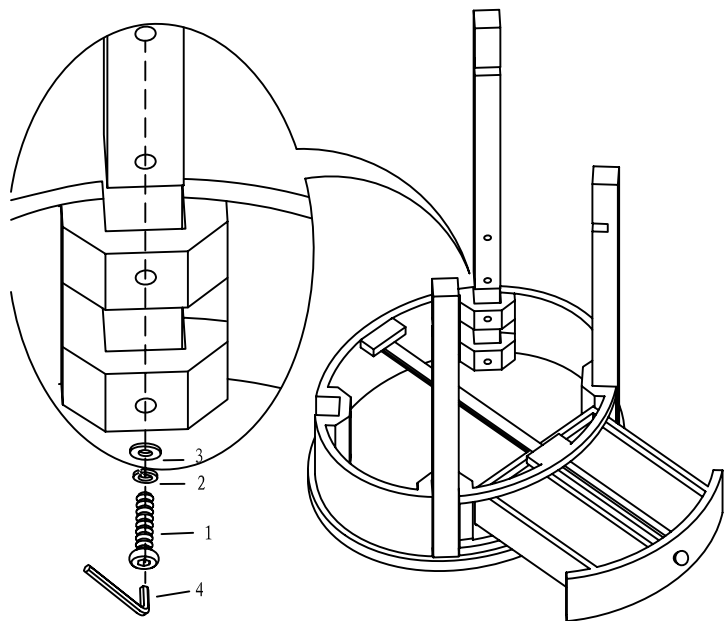
This page lists all the contents included in the box. Please take the time to identify the hardware as well as the individual components to this product. As you unpack and prepare for assembly, place the contents on a carpeted or padded area to protect them from damage.

PART LIST		
ITEM	DESCRIPTION	QTY
A	TABLE TOP	1PC
B	LEGS	4PCS
C	SHELF	1PC

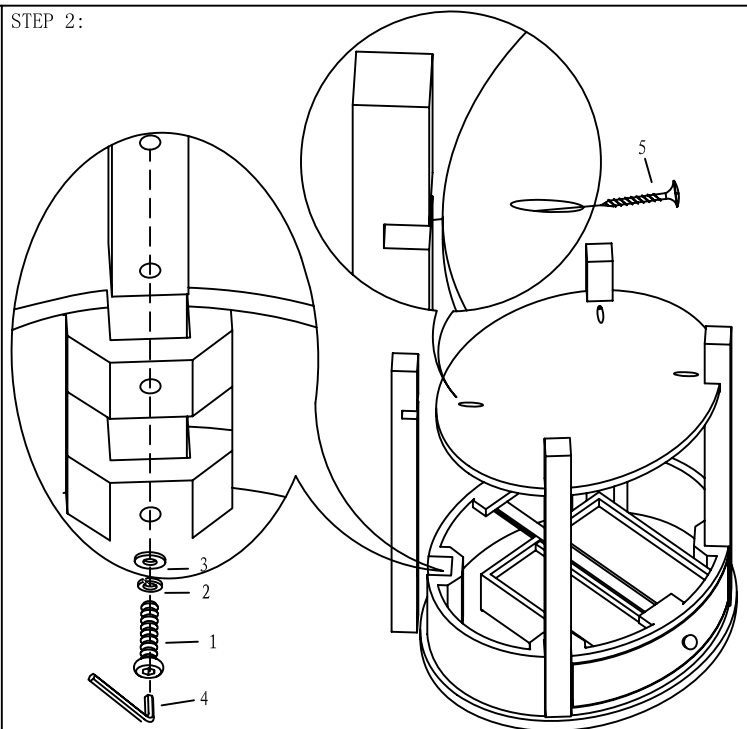
PART LIST		
ITEM	DESCRIPTION	QTY
1	BOLT $\phi 1/4" * 1-1/2"$	8PCS
2	LOCK WASHER $\phi 1/4" * 1/2"$	8PCS
3	FLAT WASHER $\phi 1/4" * 5/8"$	8PCS
4	ALEN KEY	1PC
5	SCREW	4PCS



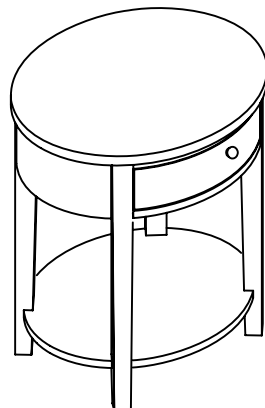
STEP 1:



STEP 2:



STEP 3:



#### Cleaning & Care

Treat surface with care. Surface is resistant to scratches but is not scratch resistant. Clean surfaces with a dry or damp soft cloth. Do not use abrasive cleaners. Hardware may loosen over time. Periodically check that all connections are tight.