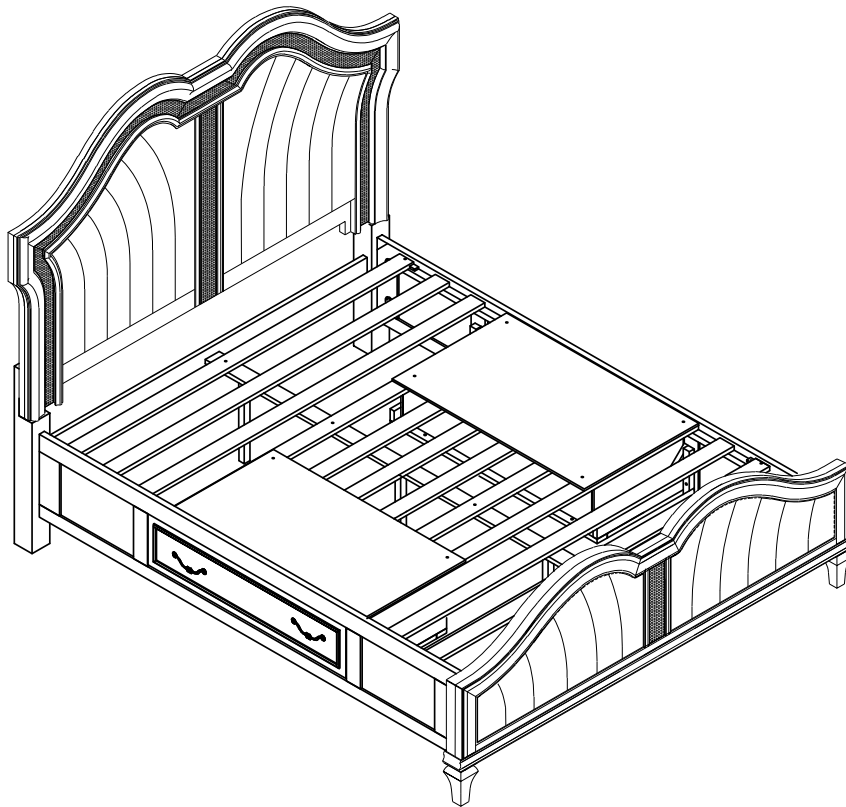


ASSEMBLY INSTRUCTIONS
COASTER FINE FURNITURE



Fine Furniture for every stage of life

223390Q (B1-B4)
Queen Storage Bed

ITEM: 223390Q(B1-B4)



ASSEMBLY INSTRUCTIONS

ASSEMBLY TIPS:

1. Remove hardware from box and sort by size.
2. Please check to see that all hardware and parts are present prior to start of assembly.
3. Please follow attached instructions in the same sequence as numbered to assure fast & easy assembly.



WARNING!

1. Don't attempt to repair or modify parts that are broken or defective. Please contact the store immediately.
2. This product is for home use only and not intended for commercial establishments.



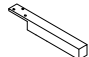
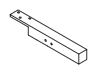


ASSEMBLY TIME

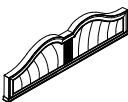


30 MINUTES

PARTS IDENTIFICATION

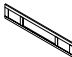



B1 (BOX 1)

<p>A HEADBOARD PANEL</p>  <p>1PC</p>	<p>B HEADBOARD BOTTOM RAIL</p>  <p>1PC</p>
<p>C RIGHT HEADBOARD LEG</p>  <p>1PC</p>	<p>D LEFT HEADBOARD LEG</p>  <p>1PC</p>

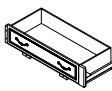



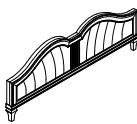
B2 (BOX 2)

<p>E FOOTBOARD PANEL</p>  <p>1PC</p>	<p>F RIGHT FOOTBOARD LEG</p>  <p>1PC</p>
<p>G LEFT FOOTBOARD LEG</p>  <p>1PC</p>	

B3 (BOX 3)

<p>H BED RAIL</p>  <p>2PCS</p>	<p>I CENTER RAIL SUPPORT WITH LEVELER</p>  <p>3PCS</p>
<p>J ROLL SLAT (11PCS)</p>  <p>1SET</p>	<p>K CENTER RAIL</p>  <p>1PC</p>

B4 (BOX 4)

<p>L DRAWER</p>  <p>2PCS</p>	<p>M DRAWER SUPPORT WITH LEVELER</p>  <p>4PCS</p>
<p>N DRAWER PANEL</p>  <p>2PCS</p>	
<p>HB 223390Q (B1) FROM BOX 1 HEADBOARD COMPLETE</p>  <p>1PC</p>	<p>FB 223390Q (B2) FROM BOX 2 FOOTBOARD</p>  <p>1PC</p>

NOTE:

Phillips head screw driver is required in the assembly process; however, manufacturer does not provide this item.

ITEM: 223390Q(B1-B4)



ASSEMBLY INSTRUCTIONS

ASSEMBLY TIPS:

1. Remove hardware from box and sort by size.
2. Please check to see that all hardware and parts are present prior to start of assembly.
3. Please follow attached instructions in the same sequence as numbered to assure fast & easy assembly.

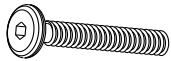

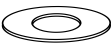

WARNING!







1. Don't attempt to repair or modify parts that are broken or defective. Please contact the store immediately.
2. This product is for home use only and not intended for commercial establishments.

HARDWARE IDENTIFICATION



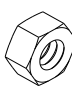

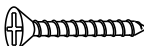
Z-B1 (BOX 1) - HARDWARE PACK IS LOCATED IN 223390Q (B1)

1	MEDIUM BOLT (ϕ 5/16" x 45MM- RBW)		10PCS	2	LOCK WASHER (ϕ 5/16" - RBW)		10PCS
3	FLAT WASHER (ϕ 5/16" - RBW)		10PCS	4	ALLEN WRENCH (4MM - RBW)		1PC





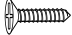
Z-B2 (BOX 2) - HARDWARE PACK IS LOCATED IN 223390Q (B2)

5	LONG BOLT (ϕ 5/16" x 55MM- RBW)		4PCS	6	LOCK WASHER (ϕ 5/16" - RBW)		4PCS
7	FLAT WASHER (ϕ 5/16" - RBW)		4PCS	8	ALLEN WRENCH (4MM - RBW)		1PC

Z-B3 (BOX 3) - HARDWARE PACK IS LOCATED IN 223390Q (B3)

9	THREADED BOLT (ϕ 5/16" x 90MM - RBW)		8PCS	10	HALF ROUND NUT (ϕ 5/16" - RBW)		8PCS
11	HEX NUT (ϕ 5/16" x 14MM - RBW)		8PCS	12	WRENCH (14MM - RBW)		1PC
13	FLAT HEAD SCREW (ϕ 4 x 30MM - RBW)		12PCS				

Z-B4 (BOX 4) - HARDWARE PACK IS LOCATED IN 223390Q (B4)

14	SHORT BOLT (ϕ 1/4" x 38MM- RBW)		12PCS	15	LOCK WASHER (ϕ 1/4" - RBW)		12PCS
16	FLAT WASHER (ϕ 1/4" - RBW)		12PCS	17	ALLEN WRENCH (4MM - RBW)		1PC
18	FLAT HEAD SCREW (ϕ 4 x 15MM - RBW)		8PCS				

NOTE:

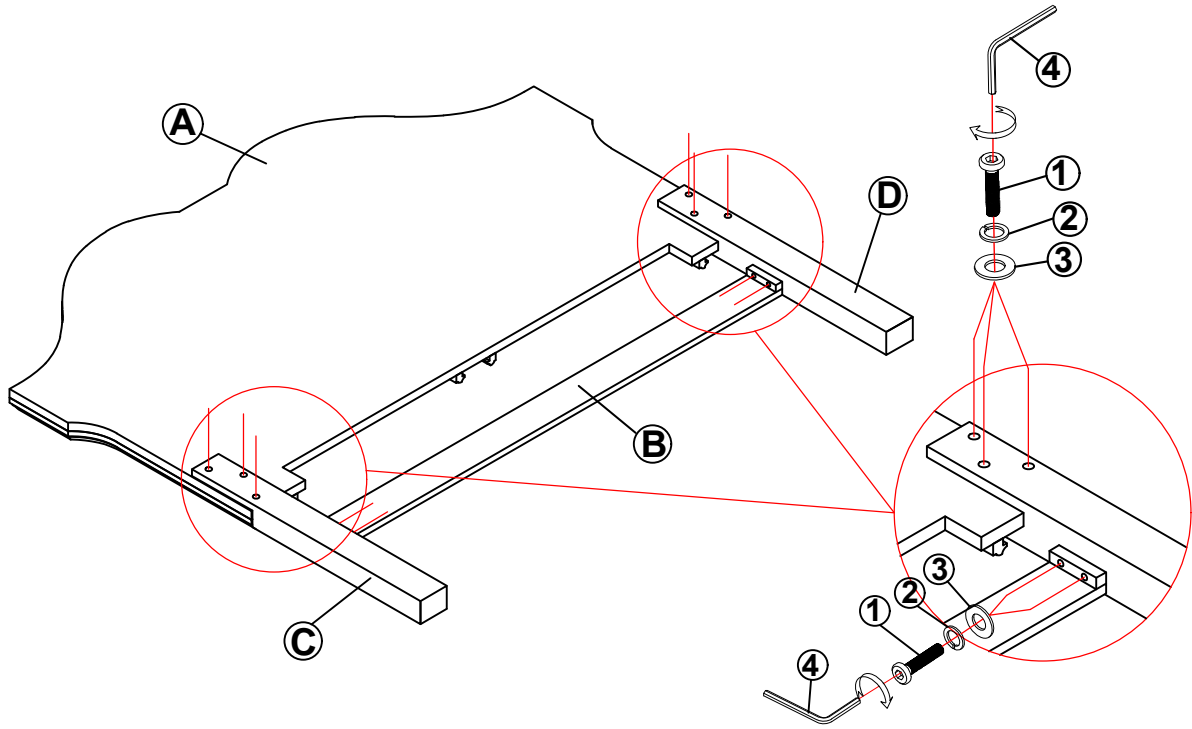
Phillips head screw driver is required in the assembly process; however, manufacturer does not provide this item.

ITEM: 223390Q(B1-B4)

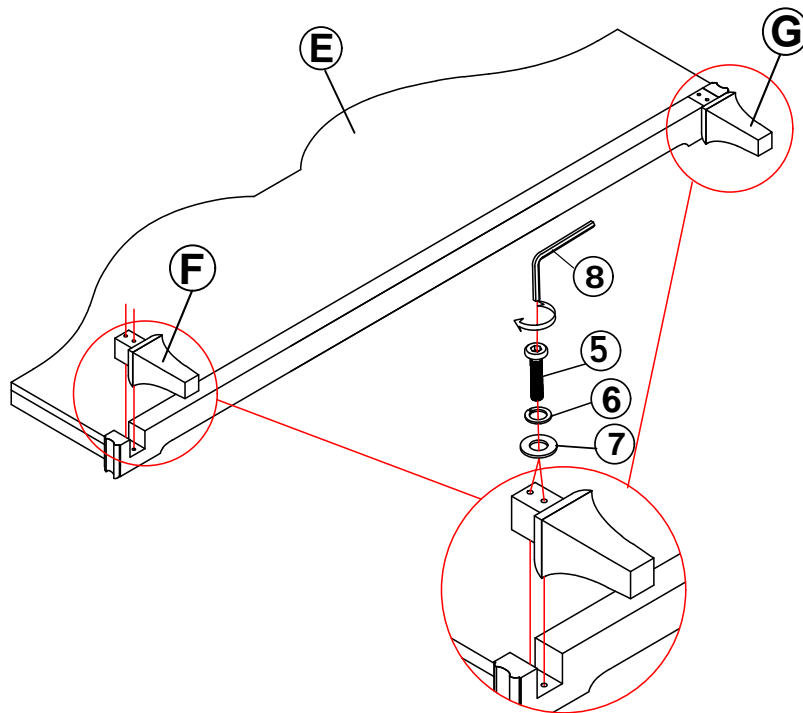


ASSEMBLY INSTRUCTIONS

STEP 1



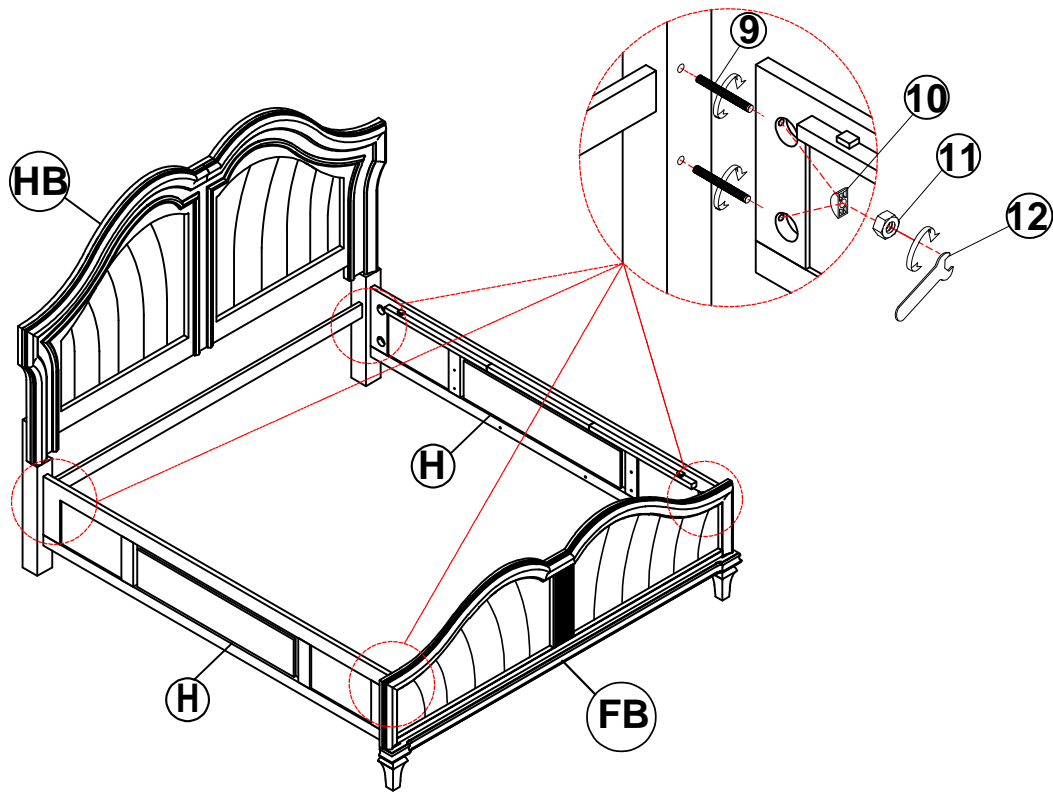
STEP 2



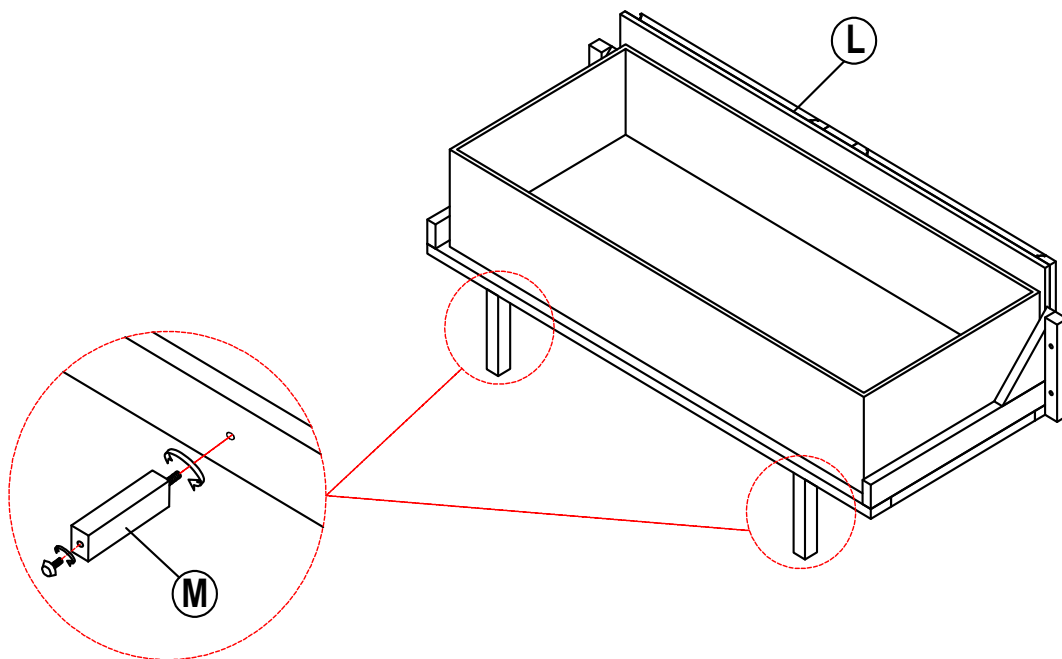
ITEM: **223390Q(B1-B4)**

ASSEMBLY INSTRUCTIONS

STEP 3



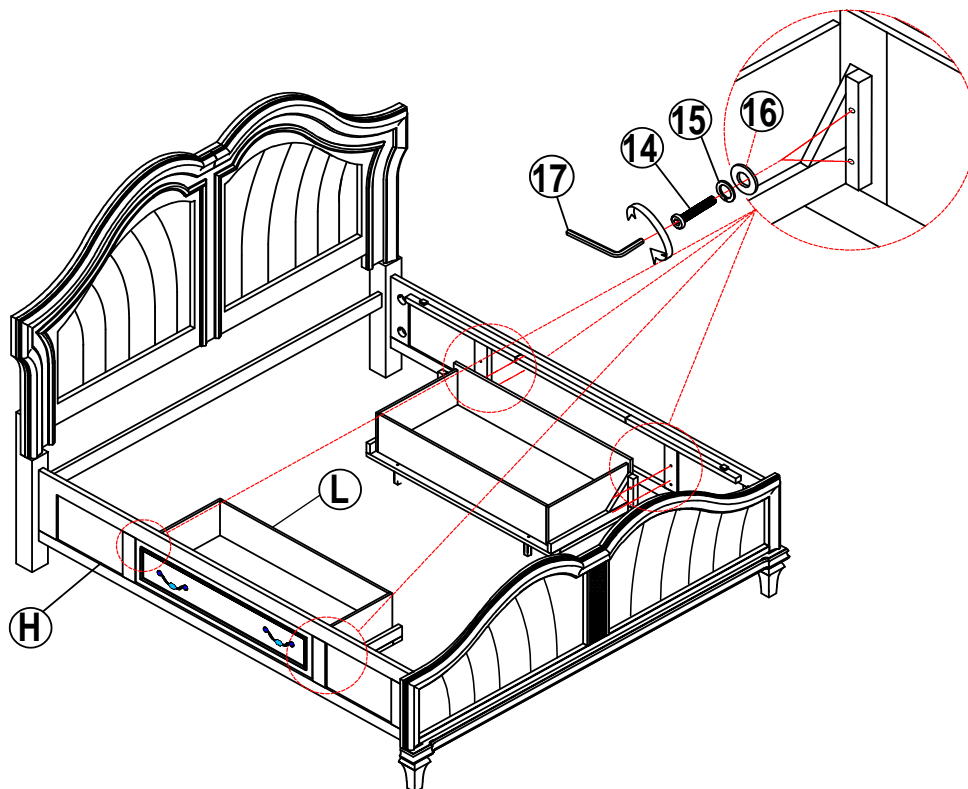
STEP 4



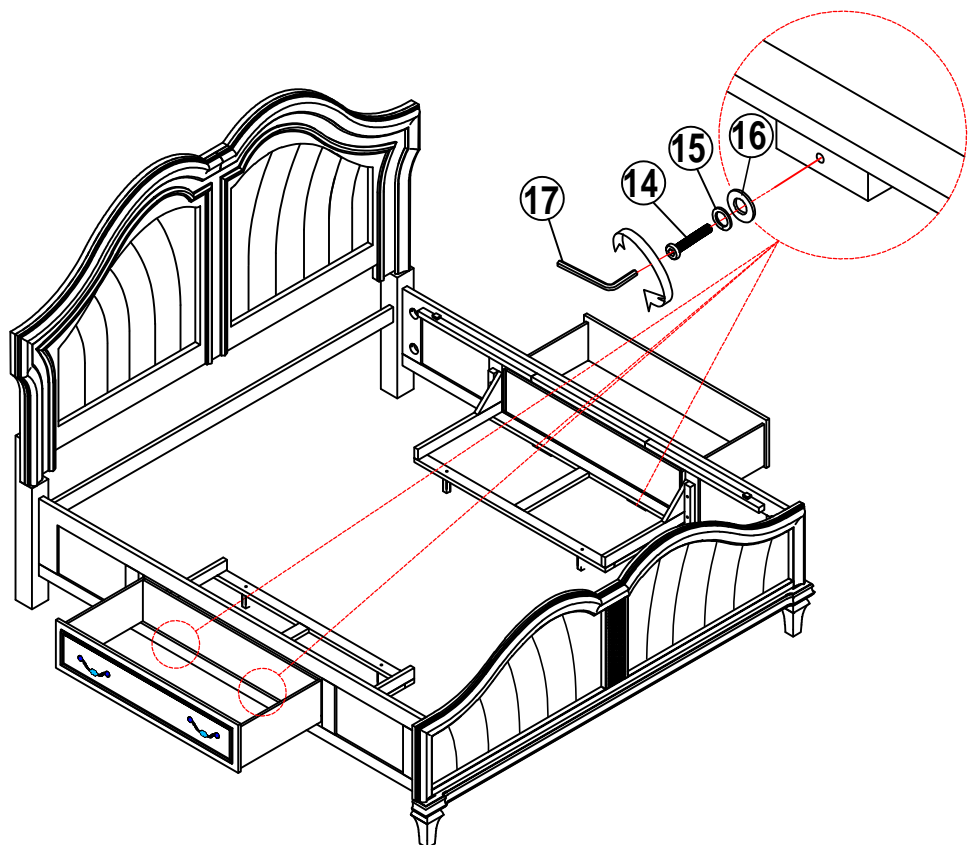
ITEM: **223390Q(B1-B4)**

ASSEMBLY INSTRUCTIONS

STEP 5



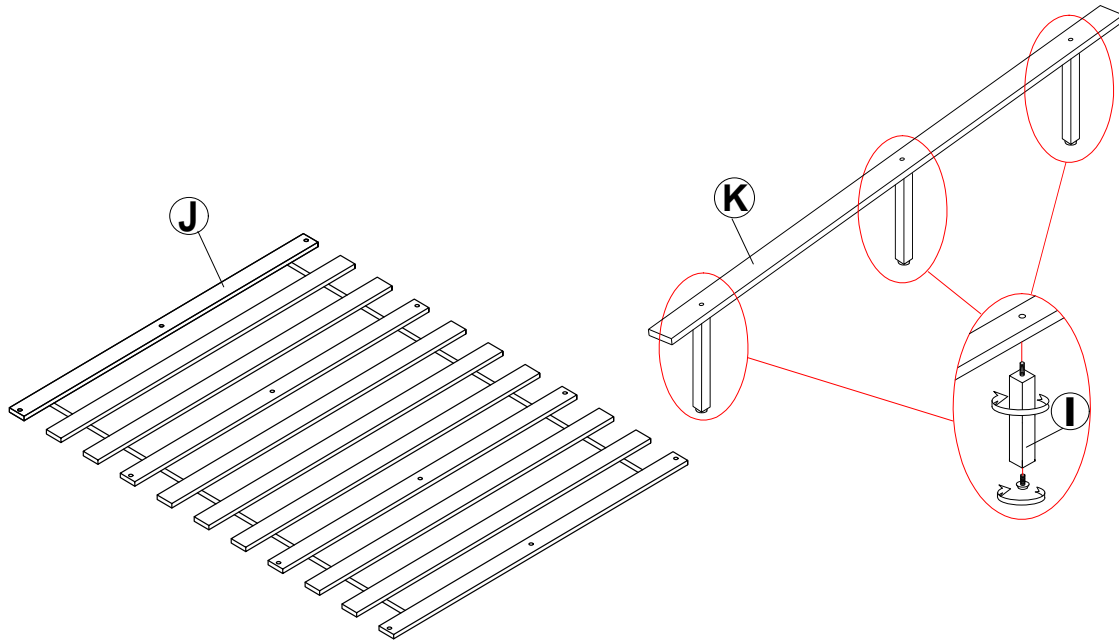
STEP 6



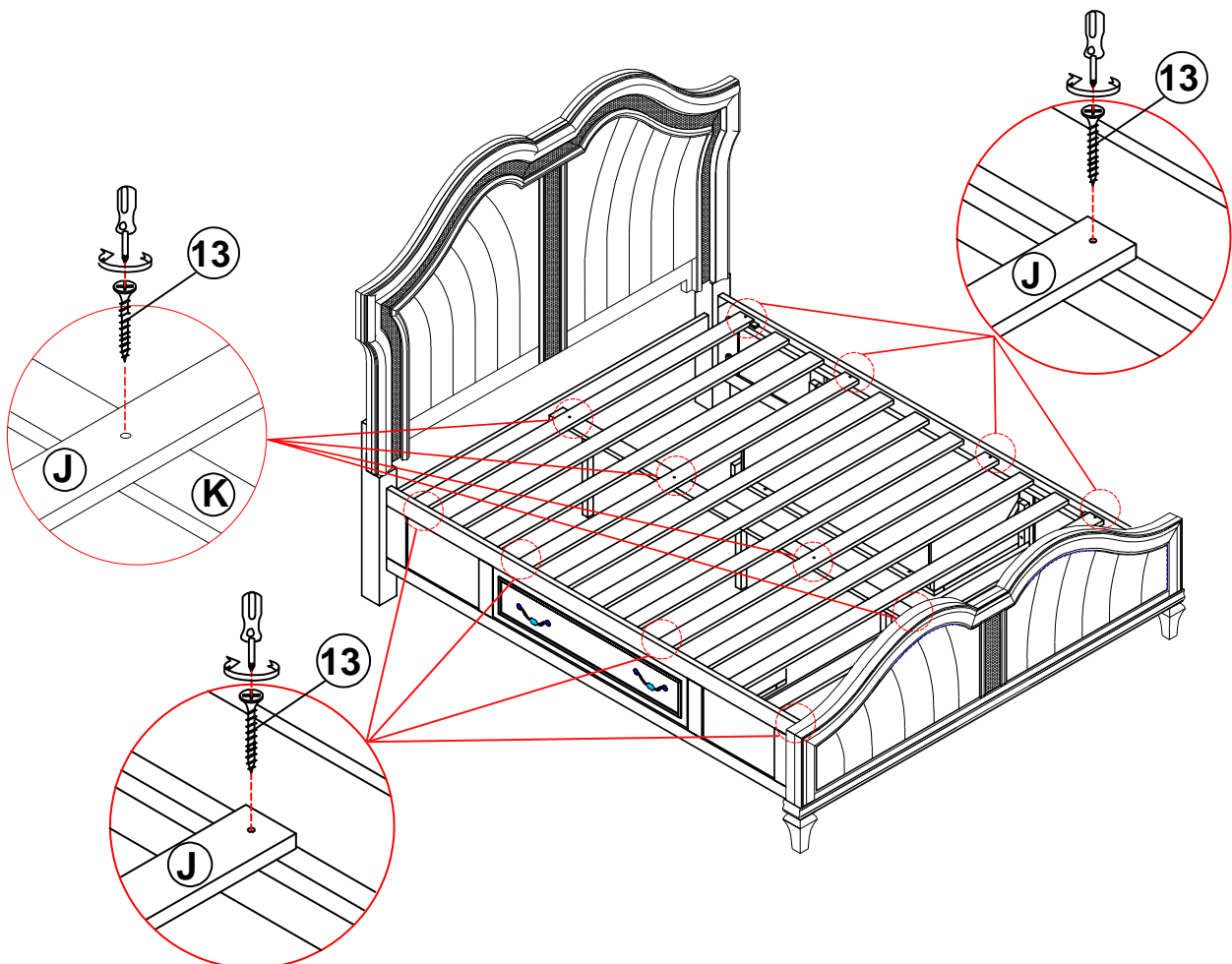
ITEM: 223390Q(B1-B4)

ASSEMBLY INSTRUCTIONS

STEP 7



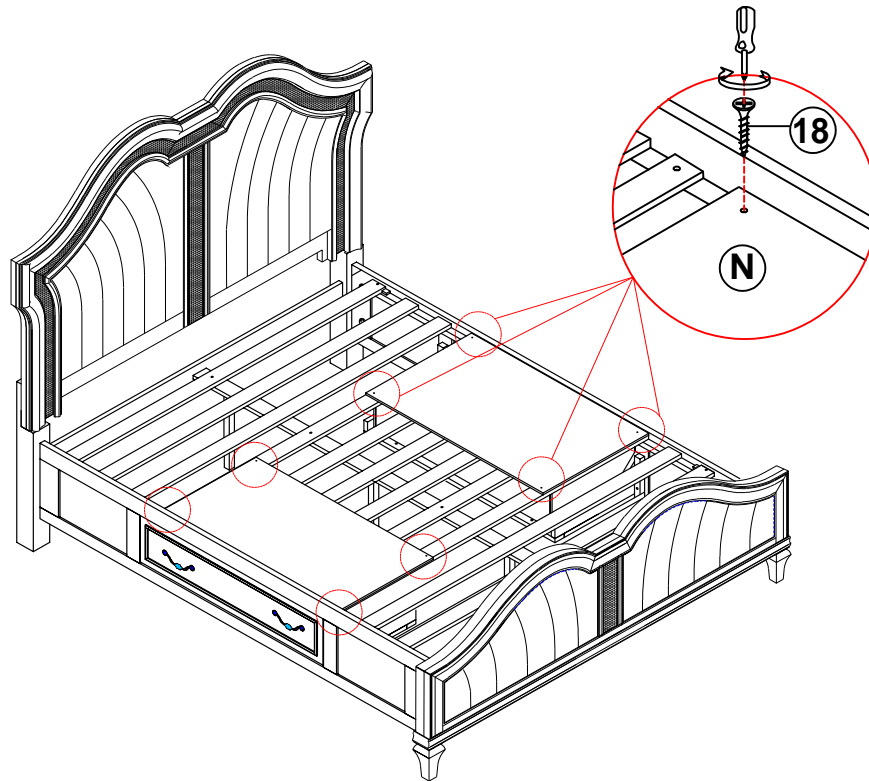
STEP 8



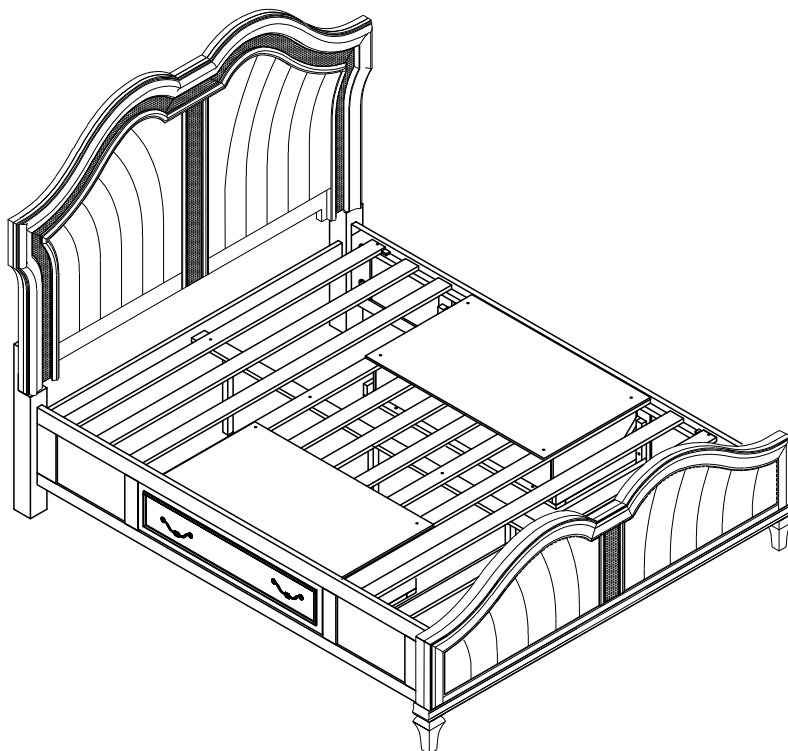
ITEM: **223390Q(B1-B4)**

ASSEMBLY INSTRUCTIONS

STEP 9



STEP 10
COMPLETE

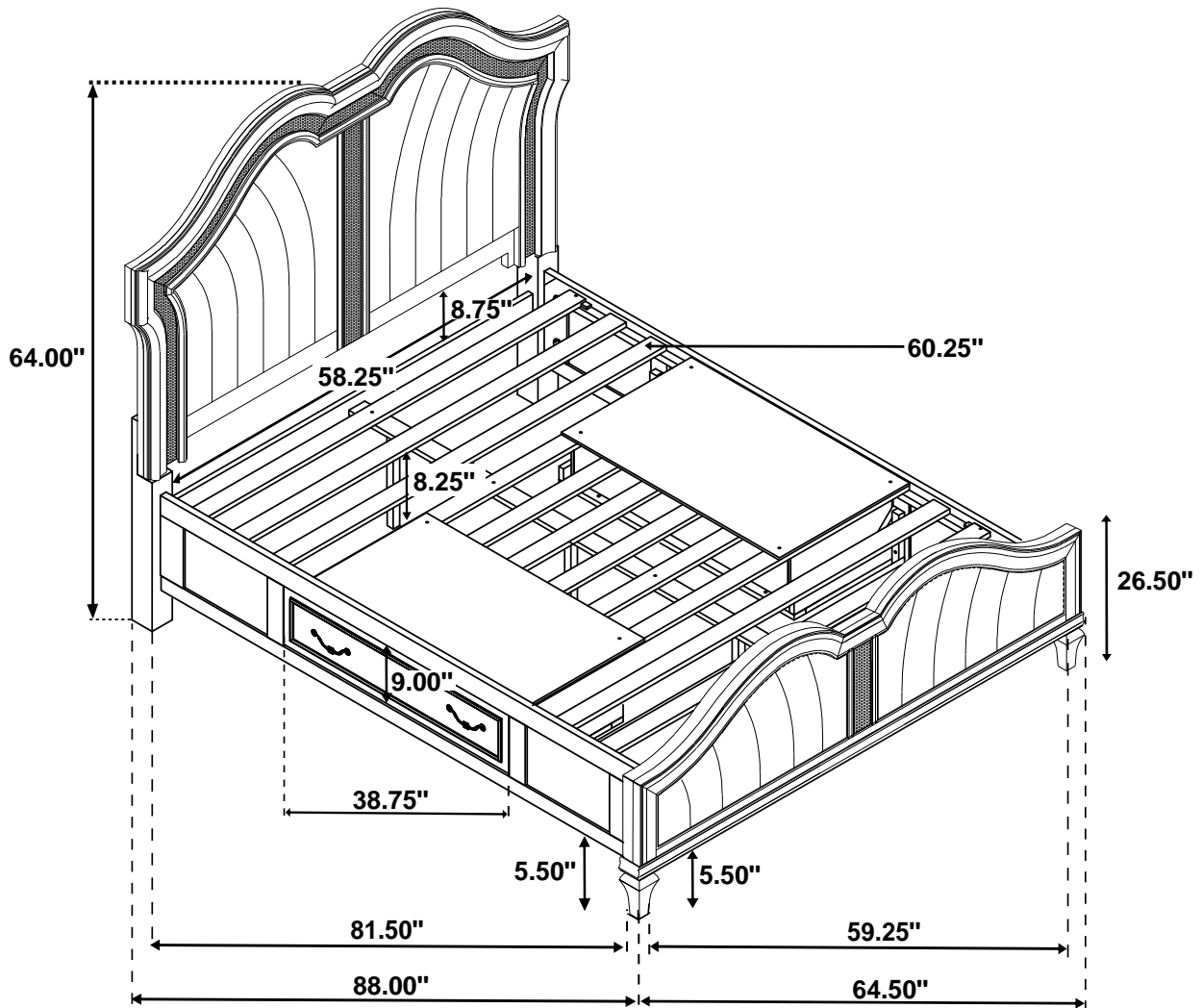


ITEM: 223390Q(B1-B4)



Inner Size : 60.25"W X 81.50"D

Inner Size of Drawer :37.00"W X 17.25"D X 6.50"H X 0.50"T



Note: Dimension tolerance $\pm 5\%$