

**ASSEMBLY INSTRUCTIONS**  
**COASTER FINE FURNITURE**



*Fine Furniture for every stage of life*

**223061KE (B1-B3)**  
***Eastern King Bed***

# ITEM: 223061KE (B1-B3)



## ASSEMBLY INSTRUCTIONS

### ASSEMBLY TIPS:

1. Remove hardware from box and sort by size.
2. Please check to see that all hardware and parts are present prior to start of assembly.
3. Please follow attached instructions in the same sequence as numbered to assure fast & easy assembly.



### WARNING!

1. Don't attempt to repair or modify parts that are broken or defective. Please contact the store immediately.
2. This product is for home use only and not intended for commercial establishments.



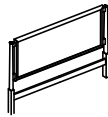
**ASSEMBLY TIME**

**30 MINUTES**

## PARTS IDENTIFICATION

### B1 ( BOX 1 )

**A HEADBOARD**



**1PC**

**I WOOD CAP**



**2PCS**

**B HEADBOARD POST**



**2PCS**

### B2 ( BOX 2 )

**C FOOTBOARD**



**1PC**

**E WOOD CAP**



**2PCS**

**D FOOTBOARD POST**



**2PCS**

### B3 ( BOX 3 )

**F BED RAIL**



**2PCS**

**H BED SLAT SUPPORT WITH LEVELER**



**8PCS**

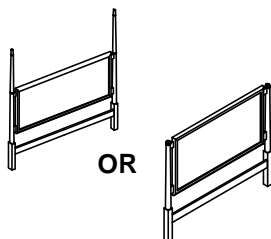
**G BED SLAT**



**4PCS**

**HB**

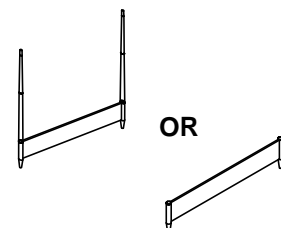
**223061KE(B1)  
FROM BOX 1  
HEADBOARD  
COMPLETE**



**1PC**

**FB**

**223061KE(B2)  
FROM BOX 2  
FOOTBOARD  
COMPLETE**



**1PC**

# ITEM: 223061KE (B1-B3)



## ASSEMBLY INSTRUCTIONS

### ASSEMBLY TIPS:

1. Remove hardware from box and sort by size.
2. Please check to see that all hardware and parts are present prior to start of assembly.
3. Please follow attached instructions in the same sequence as numbered to assure fast & easy assembly.






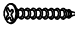


### WARNING!

1. Don't attempt to repair or modify parts that are broken or defective. Please contact the store immediately.
2. This product is for home use only and not intended for commercial establishments.

## HARDWARE IDENTIFICATION

### Z-B3 (BOX 3) - HARDWARE PACK IS LOCATED IN 223061KE (B3)

1	<b>THREADED BOLT</b> ( $\varnothing$ 5/16" x 3" - RBW)		8PCS	2	<b>HALF ROUND NUT</b> ( $\varnothing$ 5/16" - RBW)		8PCS
3	<b>LOCK WASHER</b> ( $\varnothing$ 5/16" x 3" - RBW)		8PCS	4	<b>HEX NUT</b> ( $\varnothing$ 5/16" x 14MM - RBW)		8PCS
5	<b>WRENCH</b> (14MM - RBW)		1PC	6	<b>FLAT HEAD SCREW</b> ( $\varnothing$ 4 x 30MM - RBW)		8PCS

### NOTE:

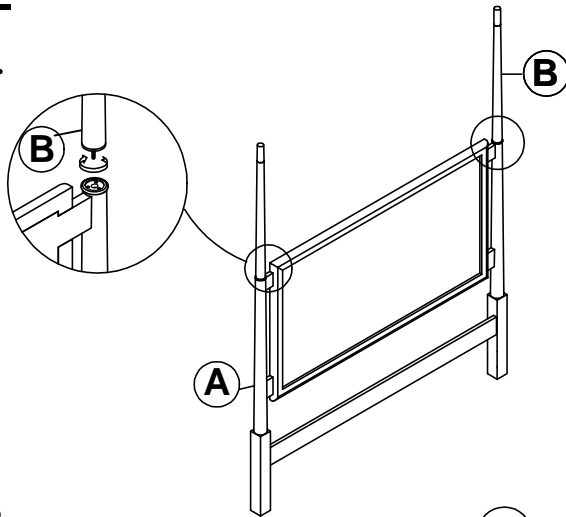
Phillips head screw driver is required in the assembly process; however, manufacturer does not provide this item.

**ASSEMBLY INSTRUCTIONS**

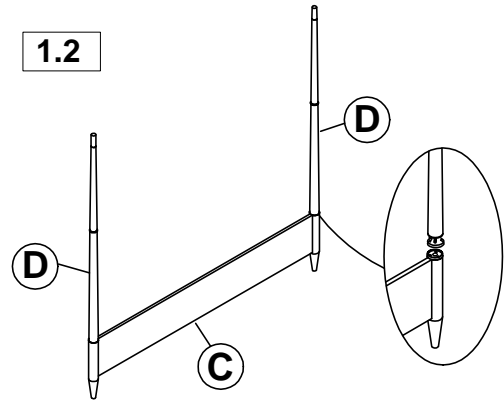
**STEP 1**

**OPTION 1**

1.1

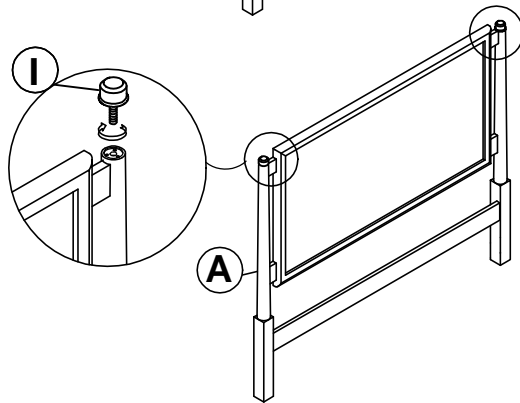


1.2

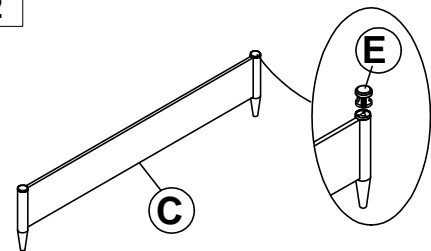


**OPTION 2**

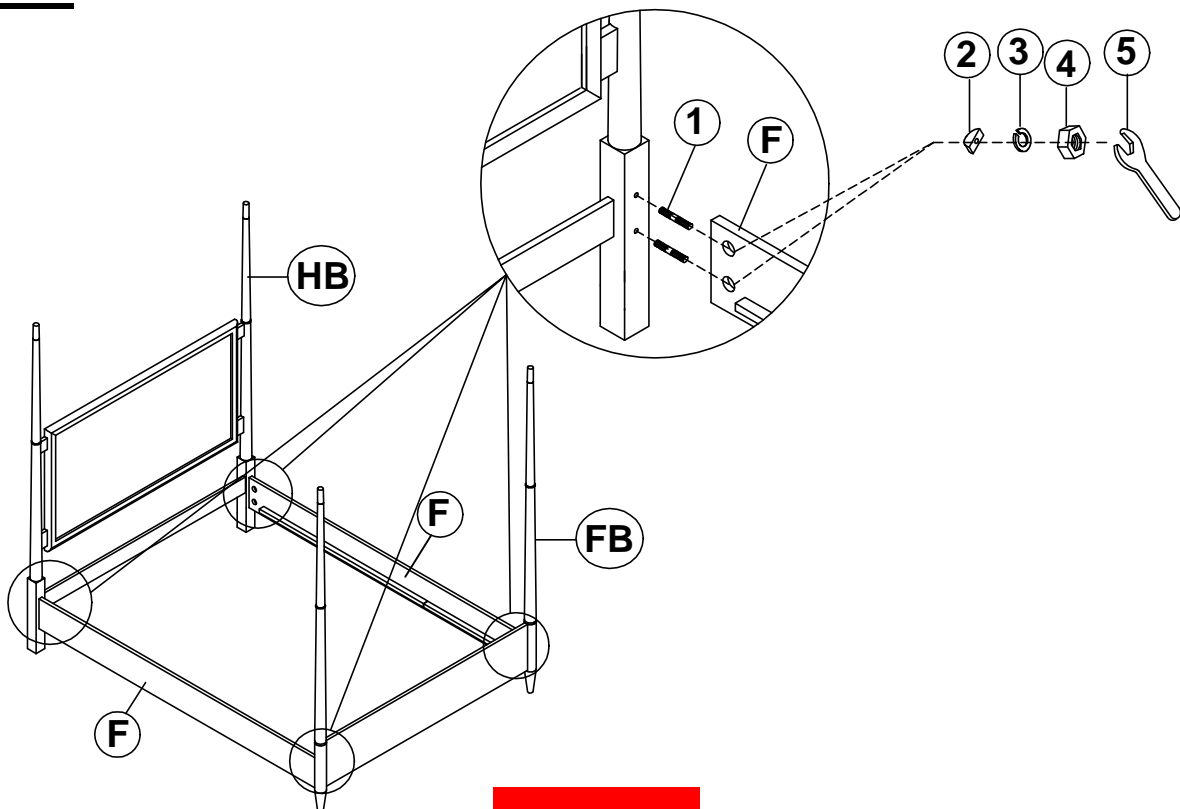
1.1



1.2



**STEP 2**

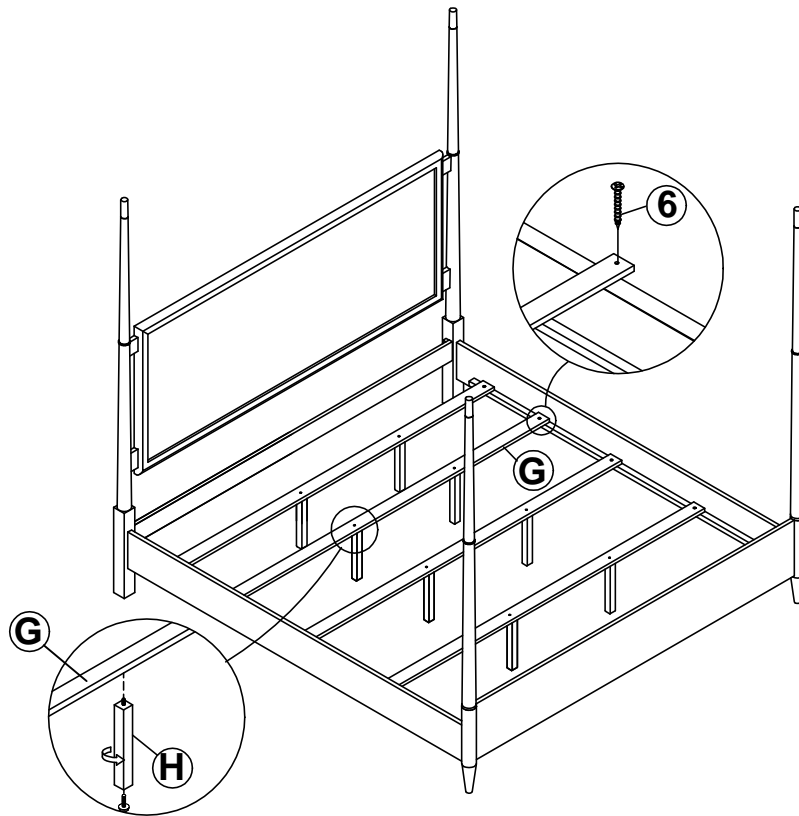


ITEM: **223061KE (B1-B3)**

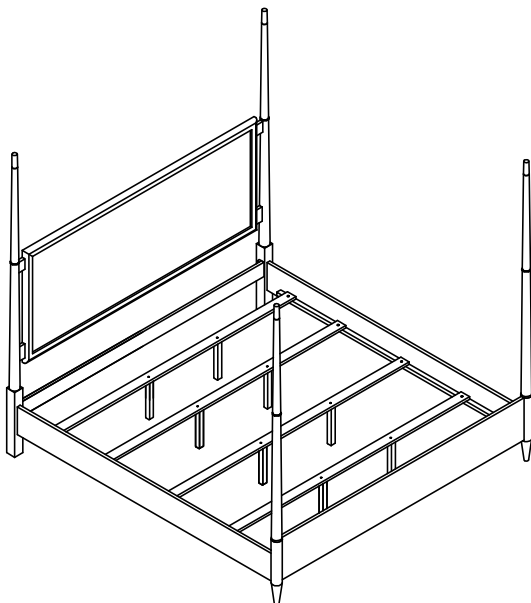


**ASSEMBLY INSTRUCTIONS**

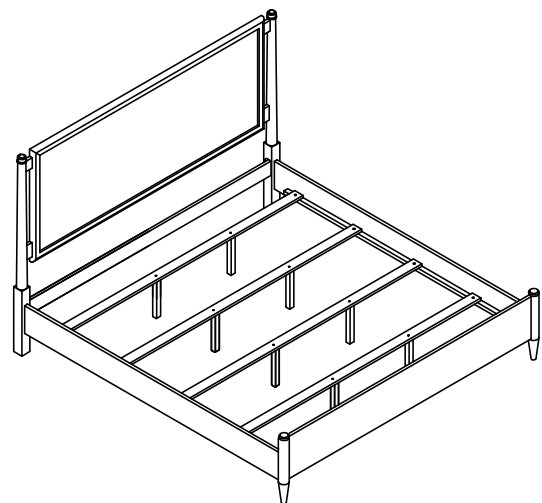
**STEP 3**



**STEP 4**  
**COMPLETE**



**OPTION 1**



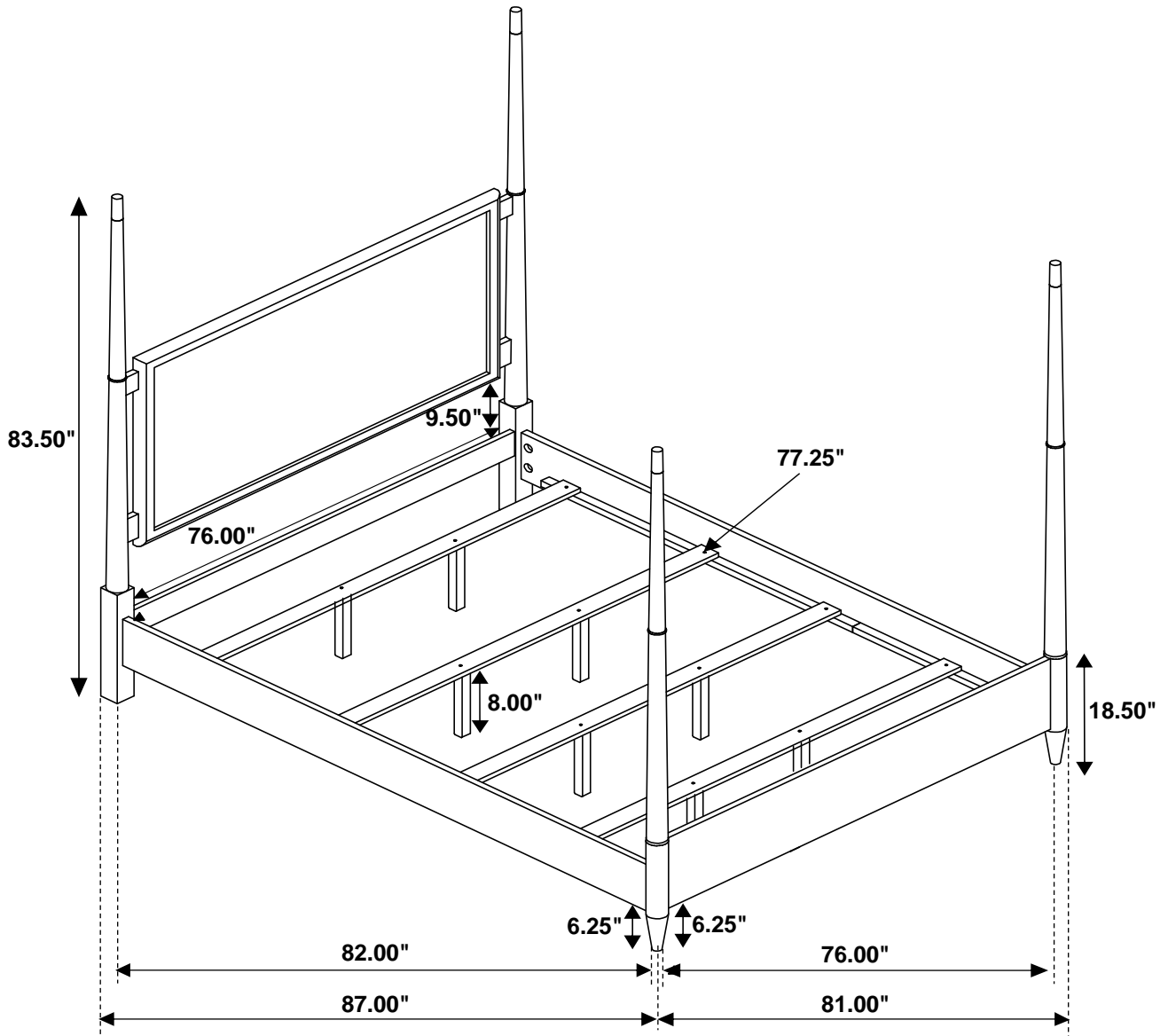
**OPTION 2**



ITEM: **223061KE (B1-B3)**



Inner Size : 77.50"W X 82.00"D

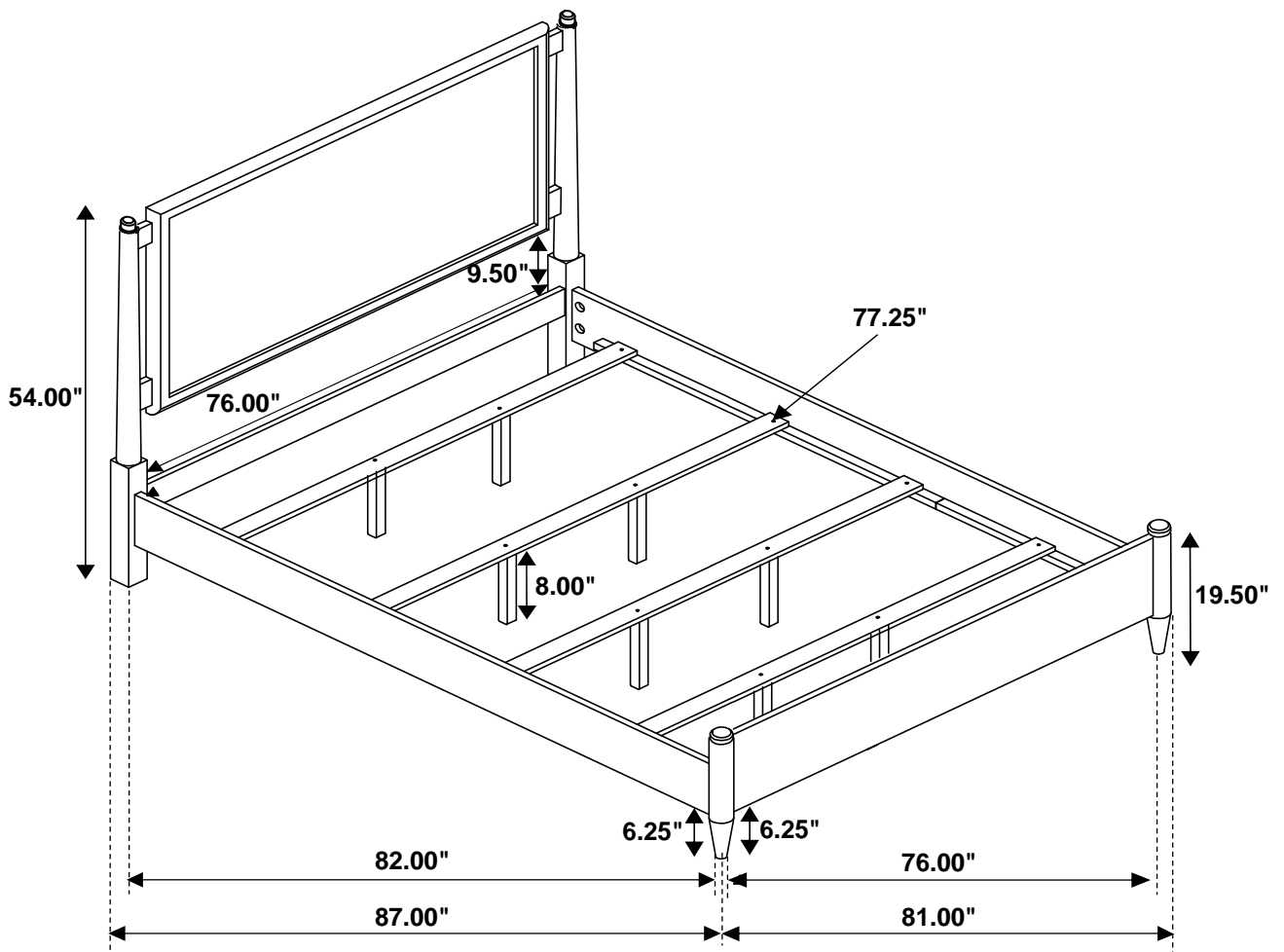


Note: Dimension tolerance  $\pm 5\%$

ITEM: **223061KE (B1-B3)**



Inner Size : 77.50"W X 82.00"D



Note: Dimension tolerance  $\pm 5\%$