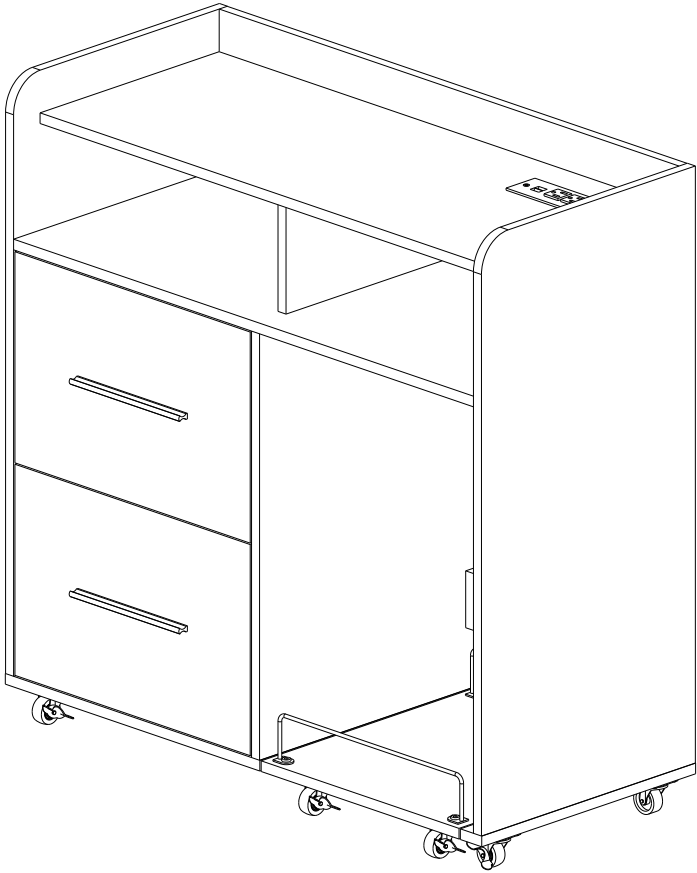
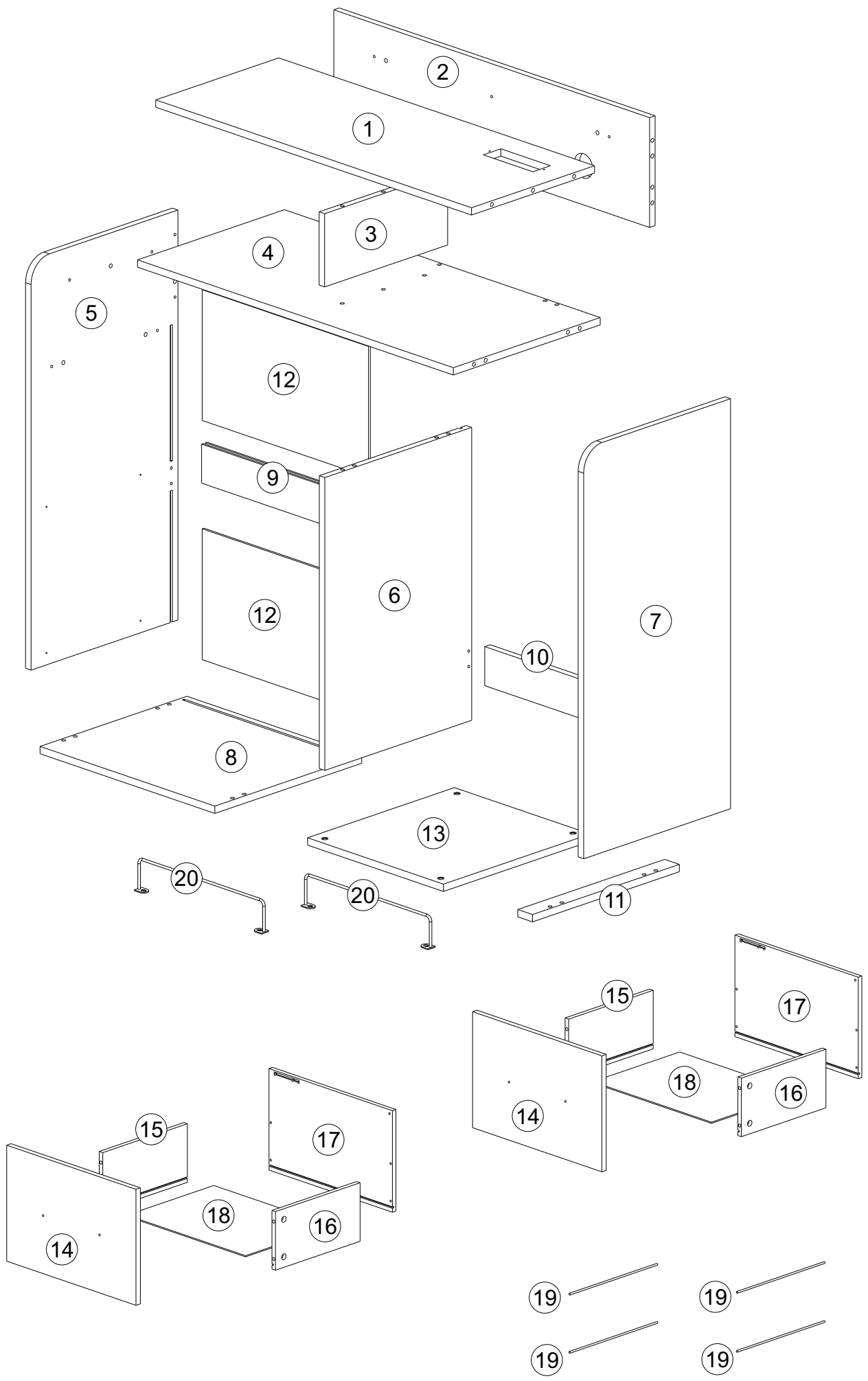


FJFL-V1

FTOFWF-6021
FTOFWF-6022



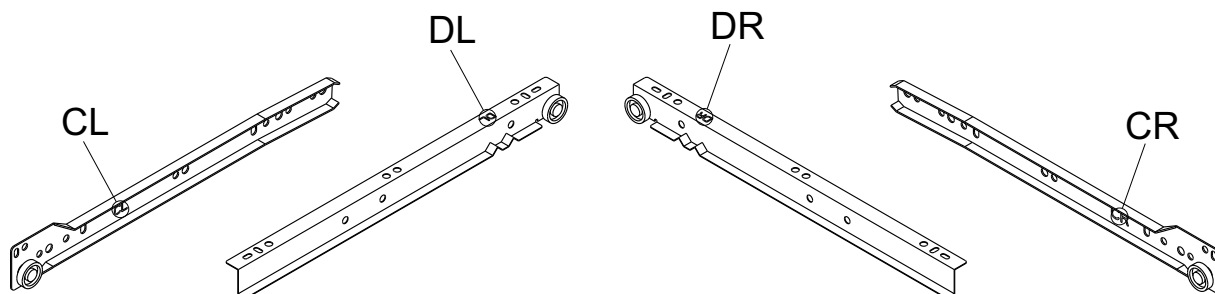
IMPORTANT, RETAIN FOR FUTURE REFERENCE: READ CAREFULLY



<p>①</p> <p>1 PC</p>	<p>②</p> <p>1 PC</p>	<p>③</p> <p>1 PC</p>	<p>④</p> <p>1 PC</p>
<p>⑤</p> <p>1 PC</p>	<p>⑥</p> <p>1 PC</p>	<p>⑦</p> <p>1 PC</p>	<p>⑧</p> <p>1 PC</p>
<p>⑨</p> <p>1 PC</p>	<p>⑩</p> <p>1 PC</p>	<p>⑪</p> <p>1 PC</p>	<p>⑫</p> <p>2 PCS</p>
<p>⑬</p> <p>1 PC</p>	<p>⑭</p> <p>2 PCS</p>	<p>⑮</p> <p>2 PCS</p>	<p>⑯</p> <p>2 PCS</p>
<p>⑰</p> <p>2 PCS</p>	<p>⑱</p> <p>2 PCS</p>	<p>⑲</p> <p>4 PCS</p>	<p>⑳</p> <p>2 PCS</p>
<p>A</p> <p>300mm 2 SETS</p>	<p>B</p> <p>4 PCS</p>	<p>C</p> <p>5 PCS</p>	<p>D</p> <p>Ø6x35mm 35 PCS+3</p>
<p>E</p> <p>Ø15x10mm 8 PCS</p>	<p>F</p> <p>Ø15x12mm 27 PCS+2</p>	<p>G</p> <p>Ø8x30mm 24 PCS+2</p>	<p>H</p> <p>M7x40mm 11 PCS+1</p>
<p>I</p> <p>M3.5x12mm 16 PCS+1</p>	<p>J</p> <p>M3.5x16mm 2 PCS</p>	<p>K</p> <p>M4x14mm 37 PCS+3</p>	<p>L</p> <p>M4x35mm 9 PCS</p>
<p>M</p> <p>M4x18mm 4 PCS</p>	<p>N</p> <p>16x8x205mm 2 PCS</p>	<p>O</p> <p>M6x12mm 4 PCS</p>	<p>P</p> <p>1 PC</p>
<p>Q</p> <p>1 PC</p>	<p>R</p> <p>Ø6x30mm 1 PC</p>	<p>S</p> <p>4mm 1 PC</p>	

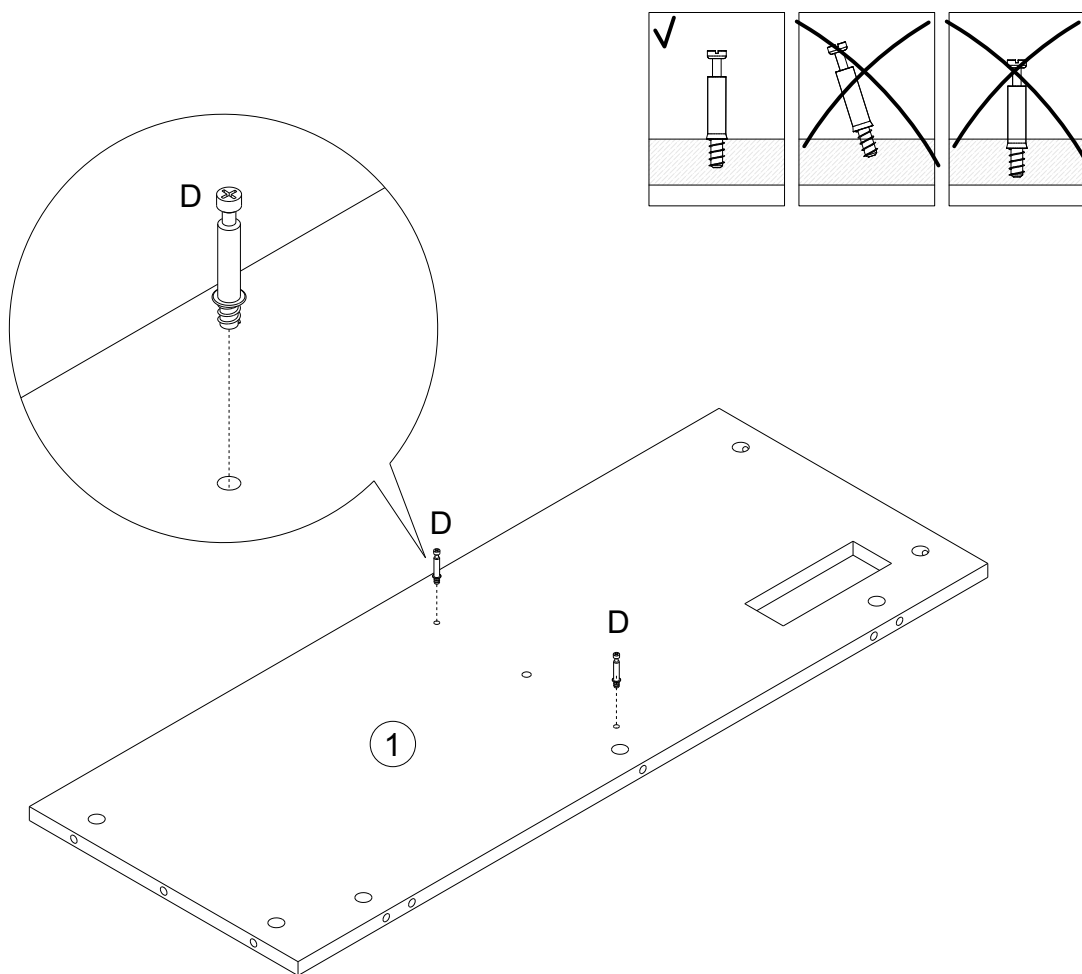
Ax2

$$A = CL + DL + CR + DR$$



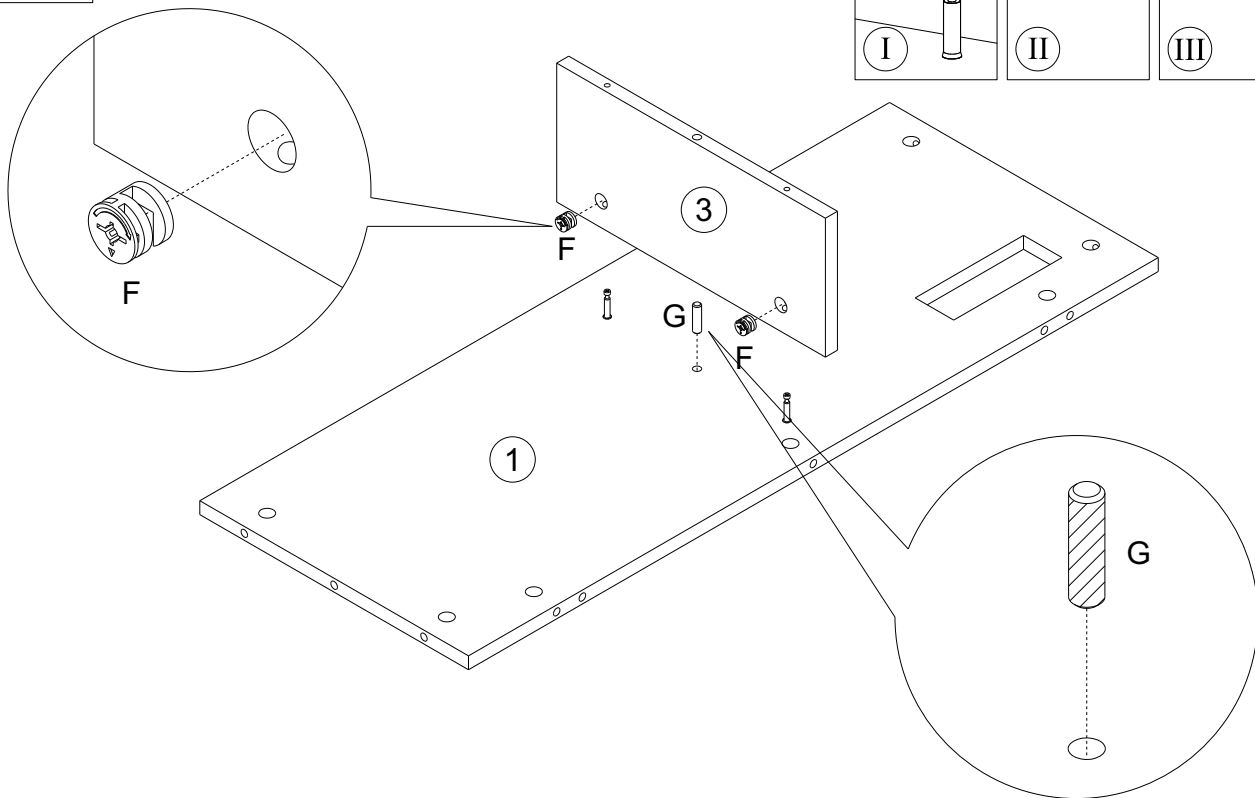
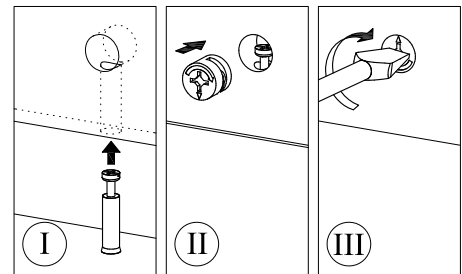
1

Dx2



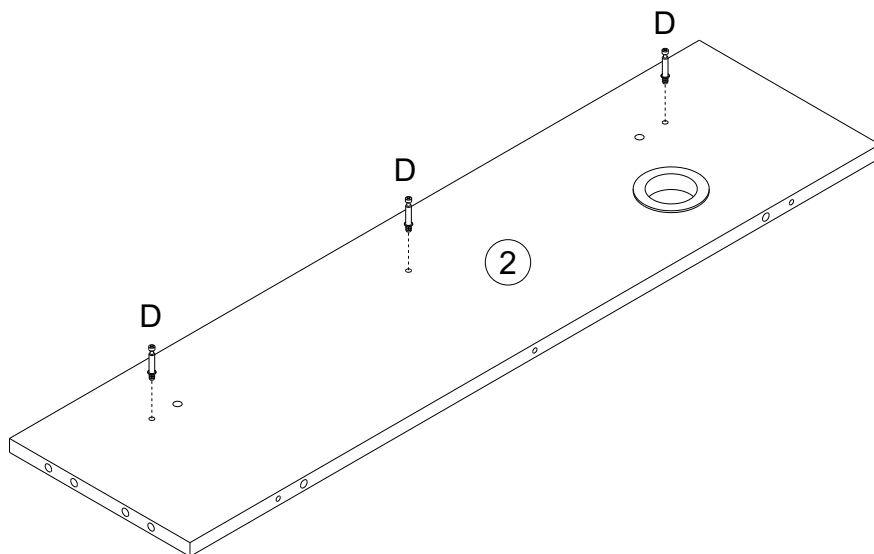
2

Fx2
Gx1



3

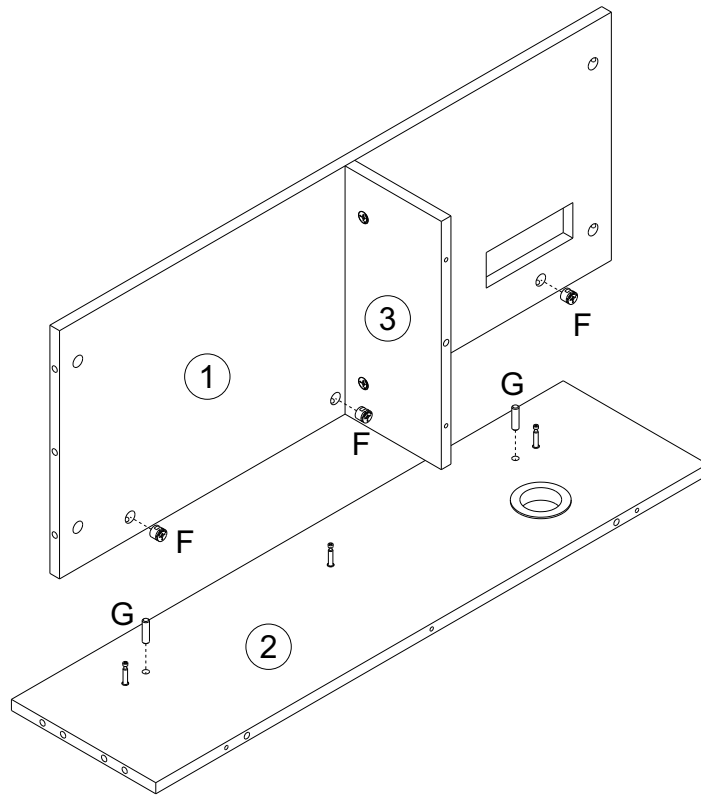
Dx3



4

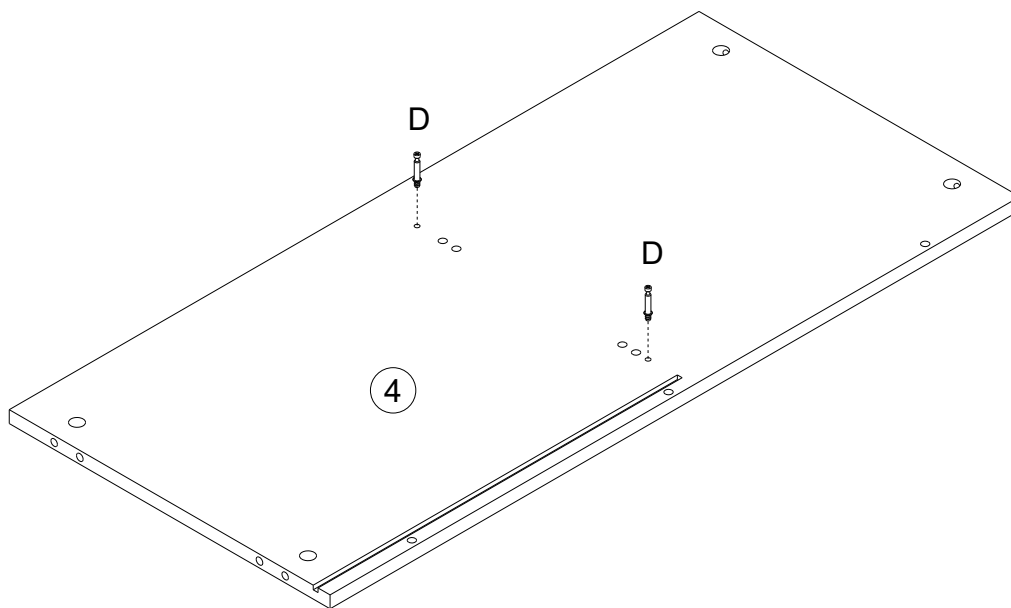
Fx3

Gx2



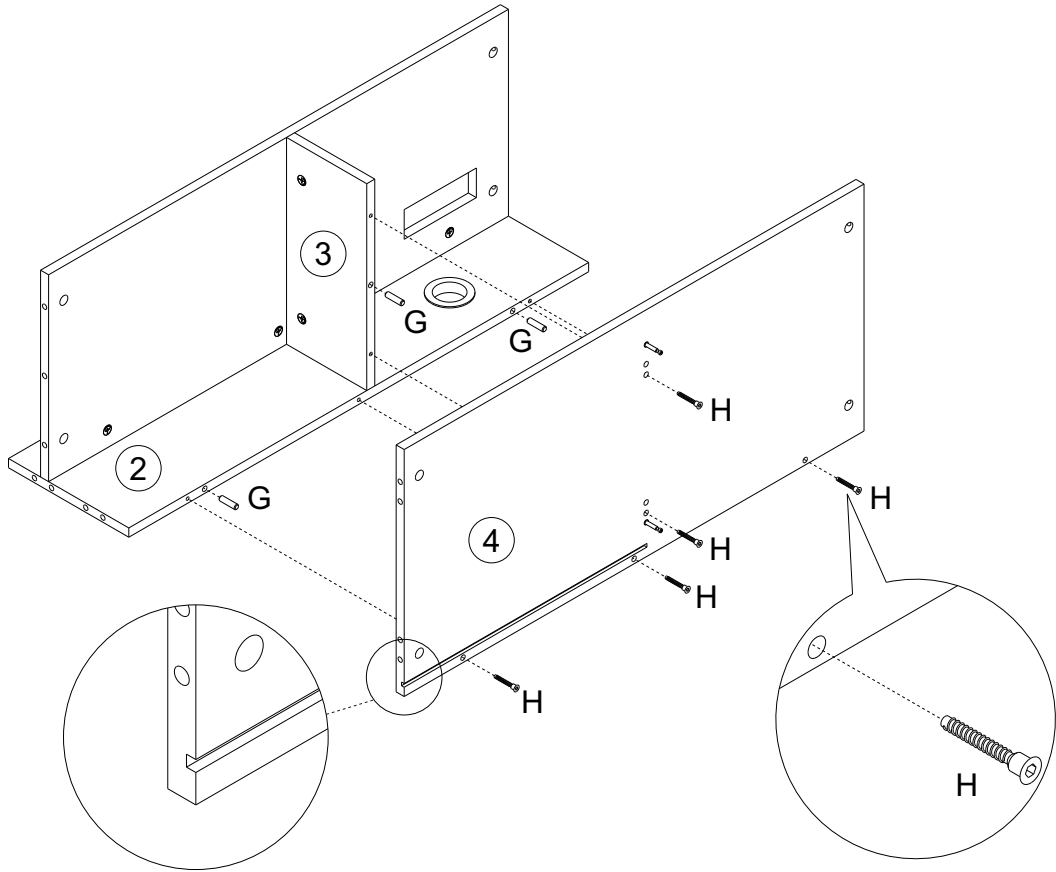
5

Dx2



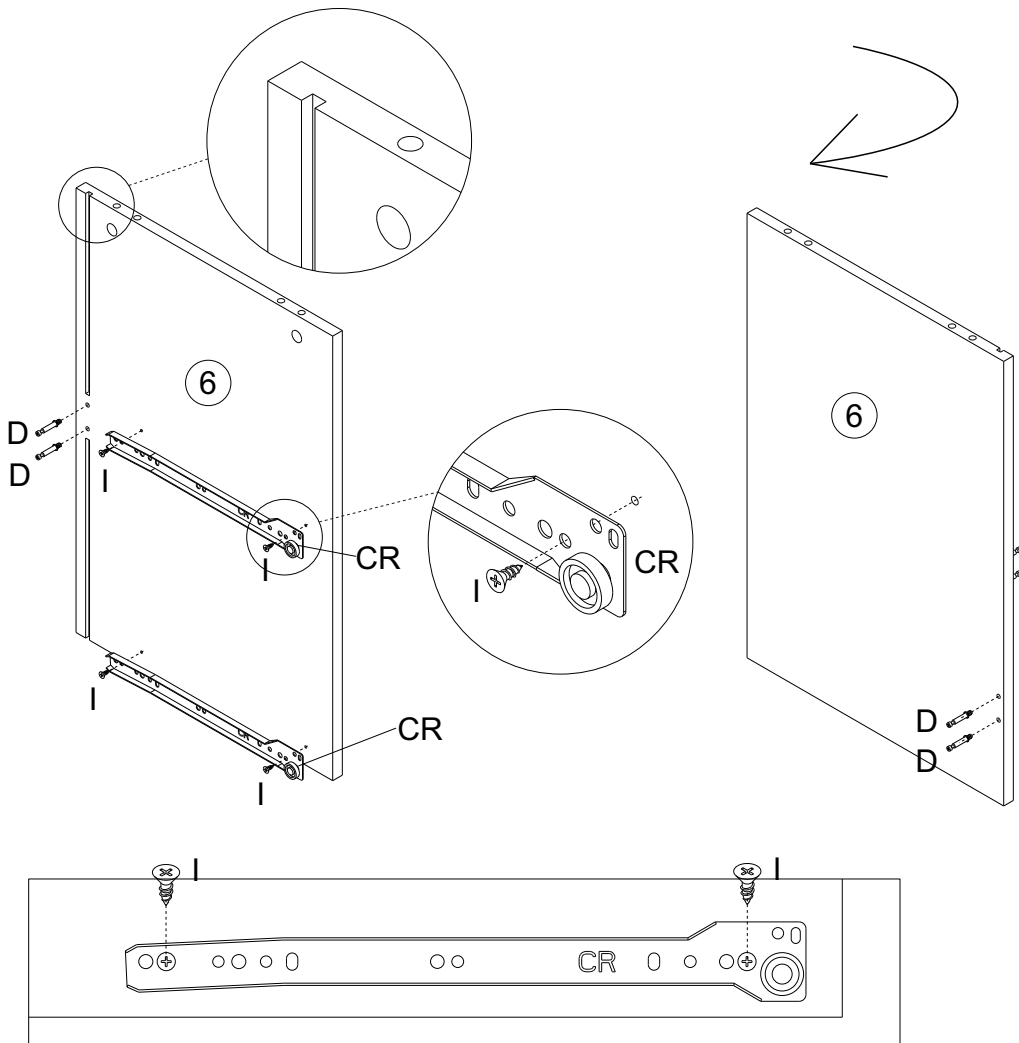
6

Hx5
Gx3



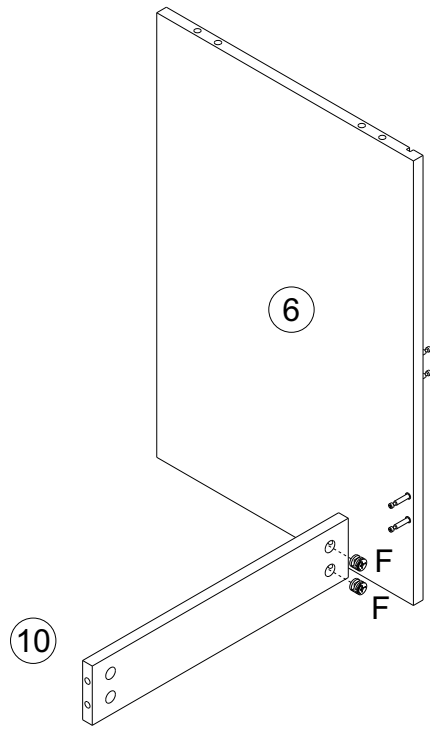
7

Ax2
Ix4
Dx4



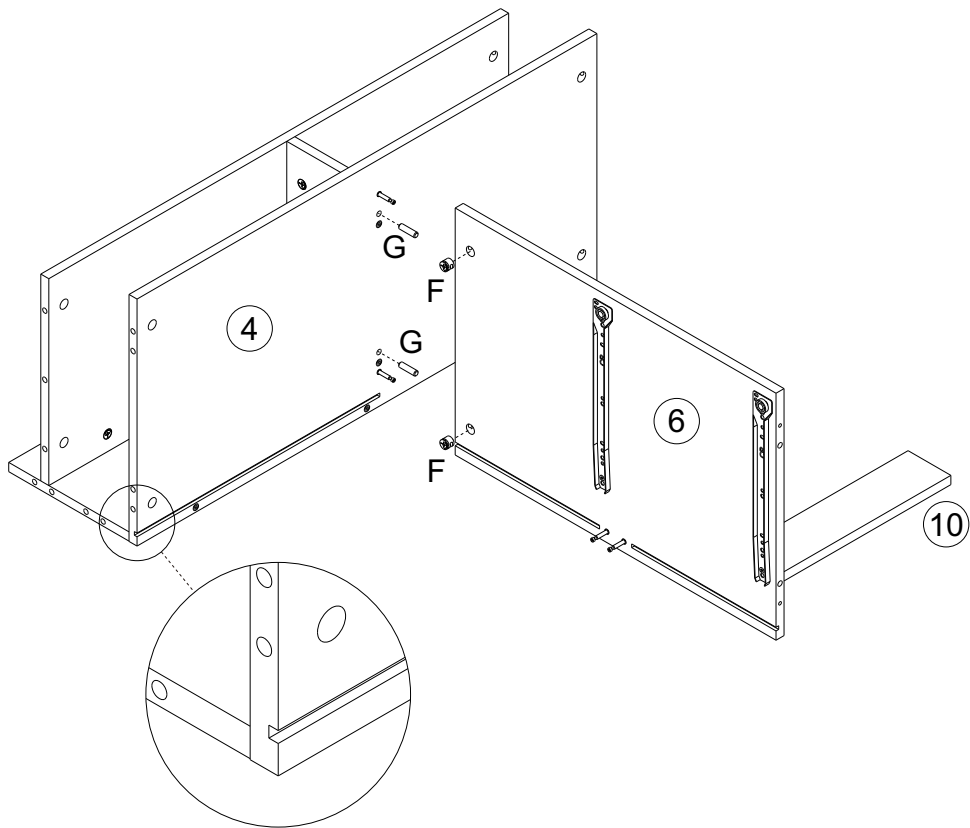
8

Fx2



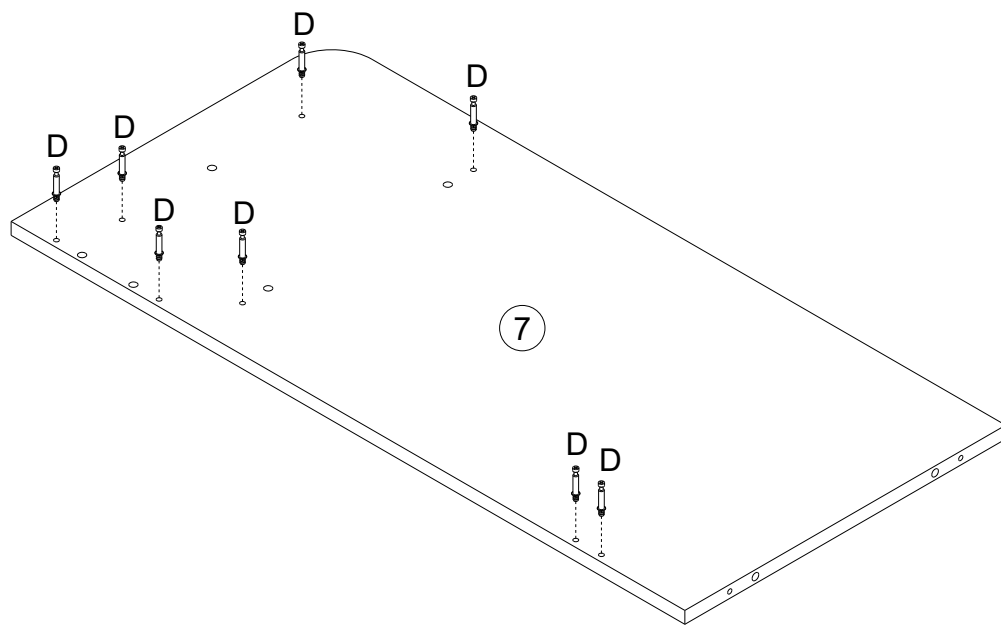
9

Fx2
Gx2



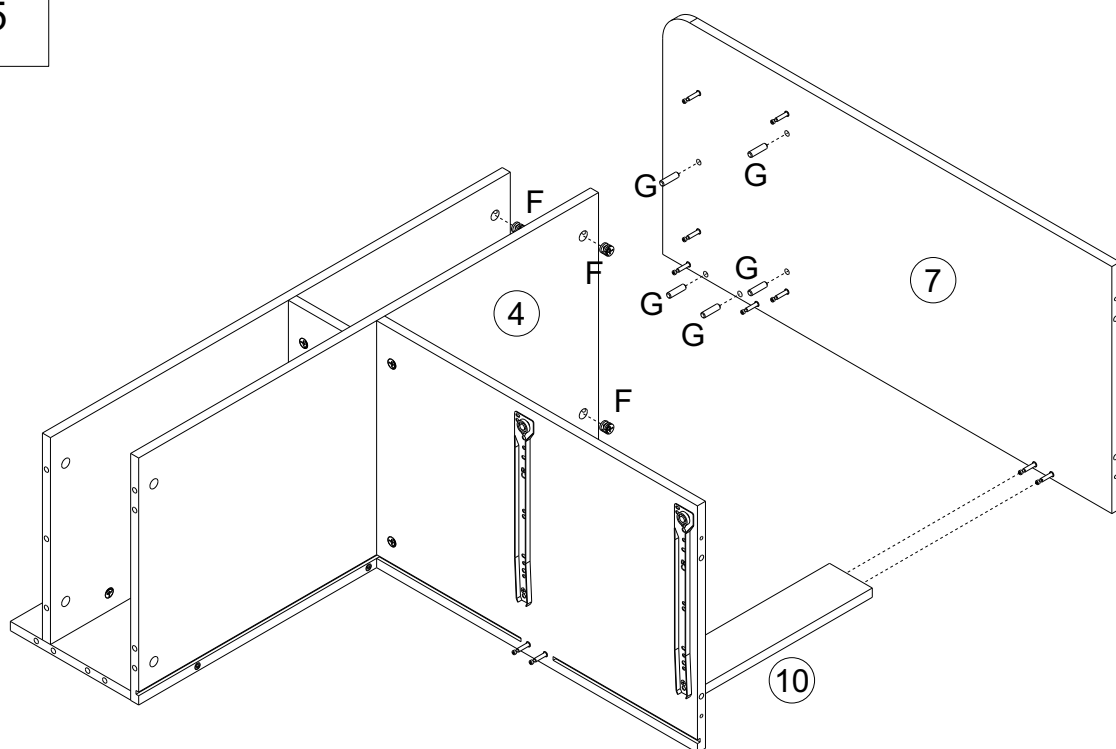
10

Dx8



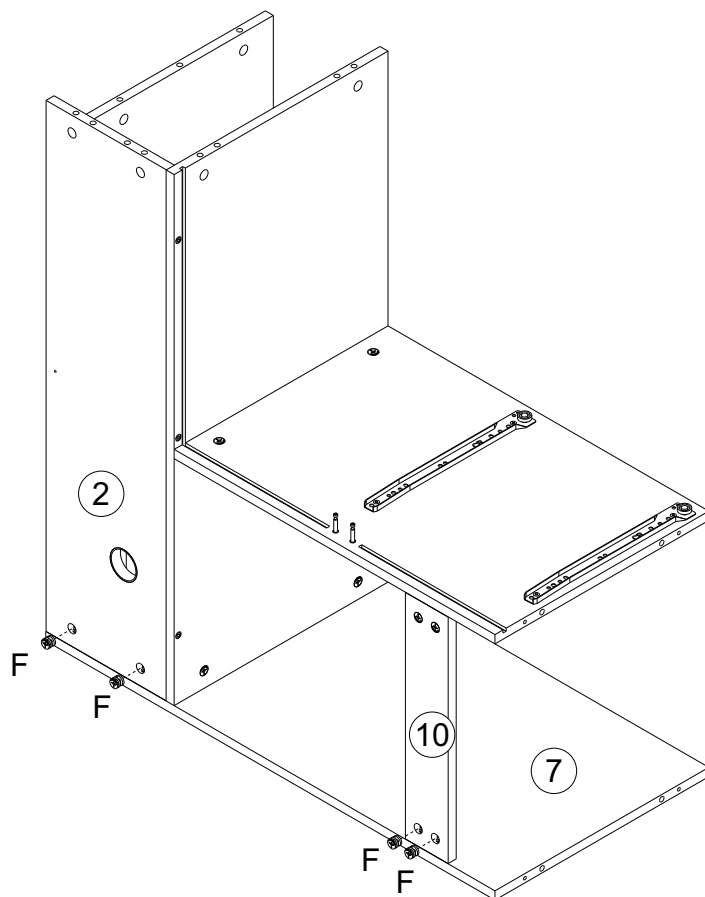
11

Fx4
Gx5



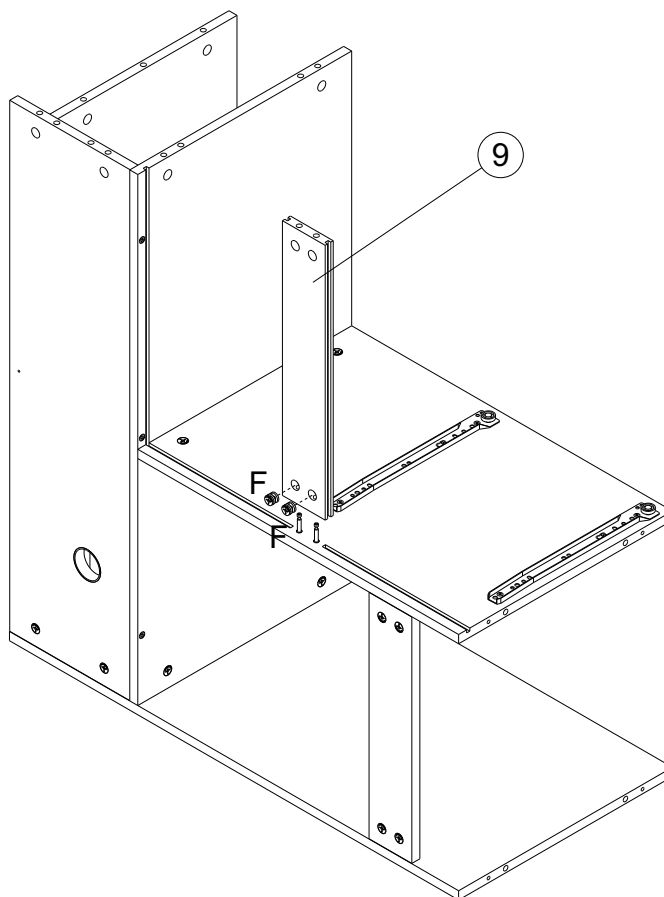
12

Fx4

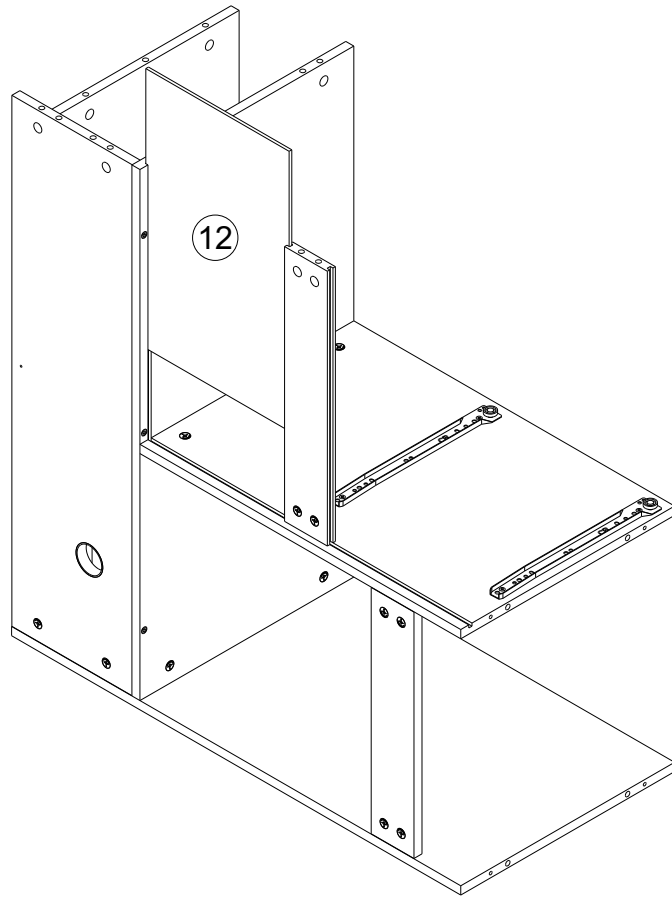


13

Fx2

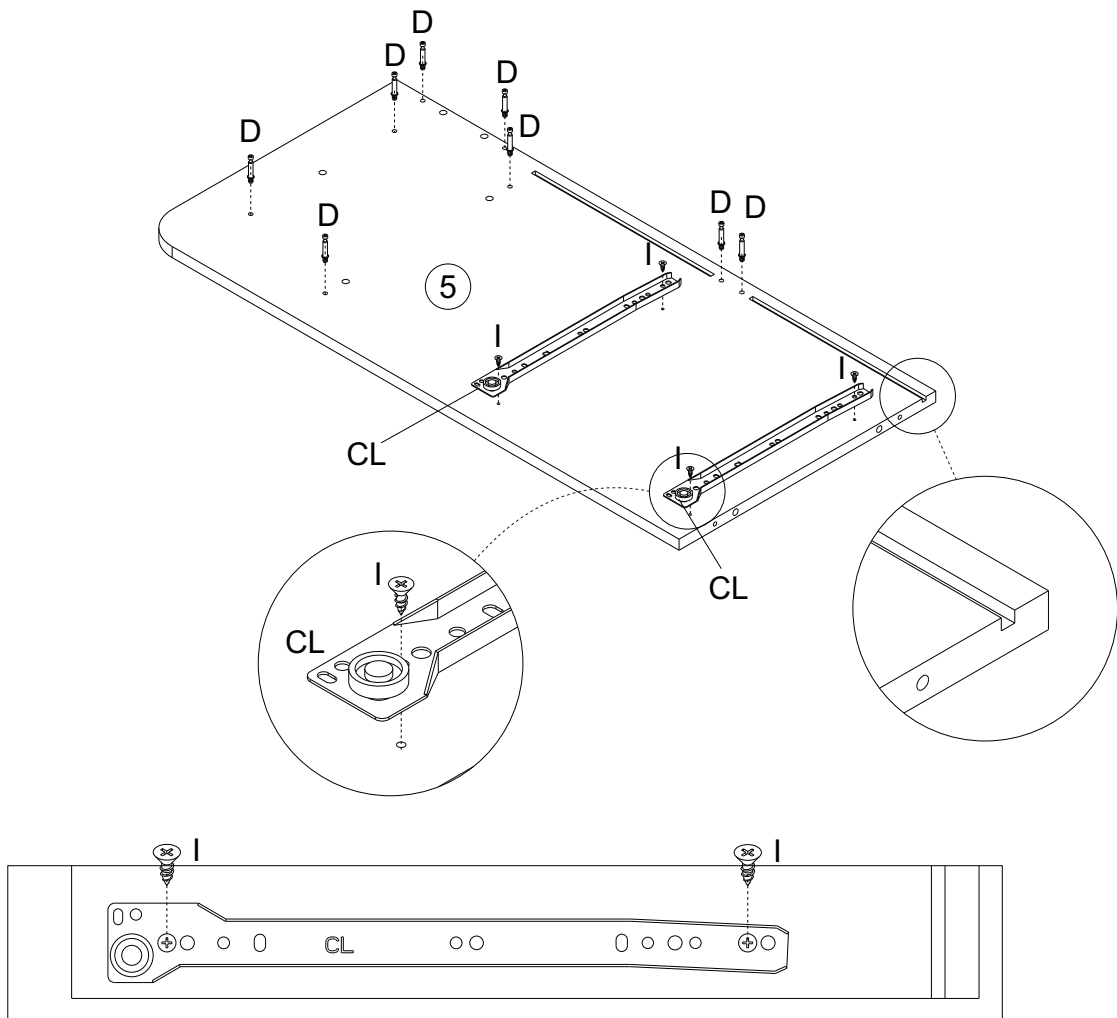


14



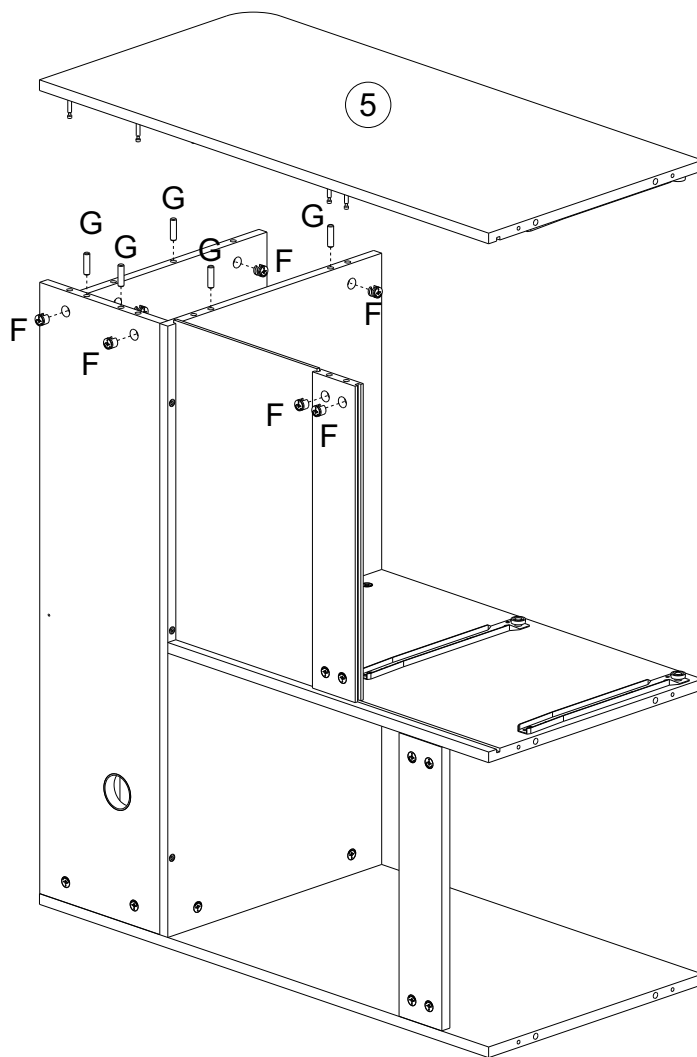
15

Ax2
Ix4
Dx8

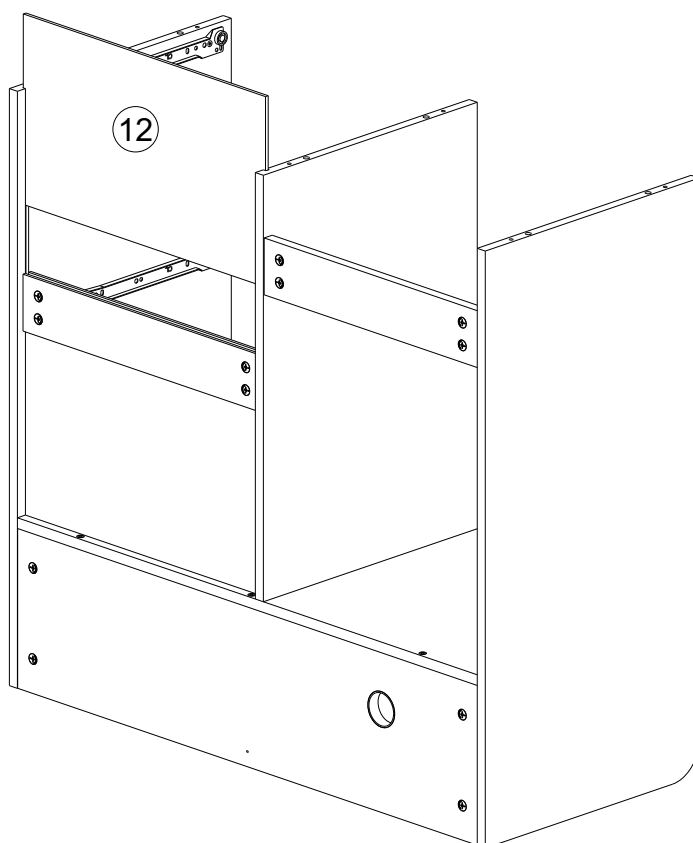


16

Fx8
Gx5

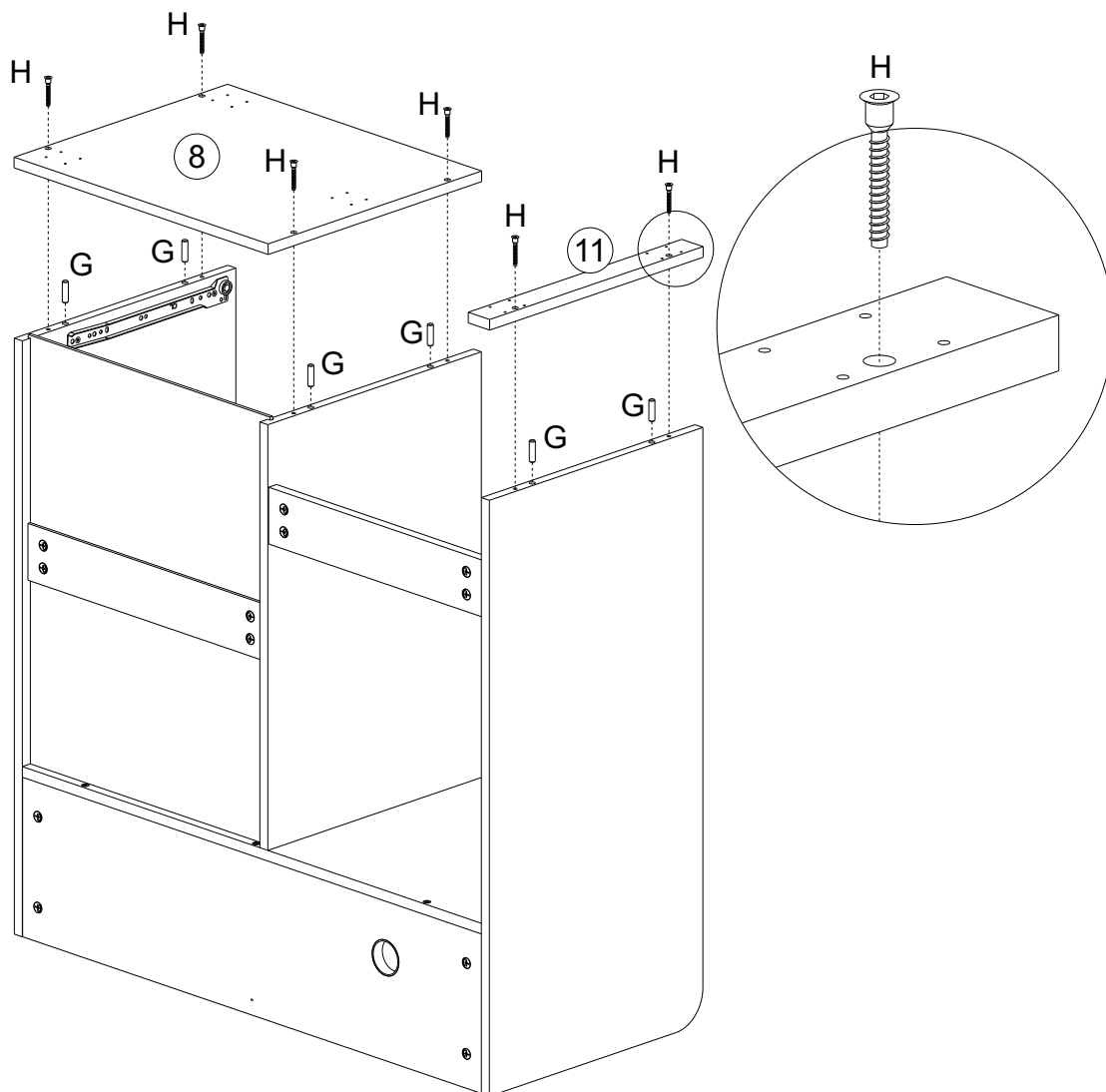


17



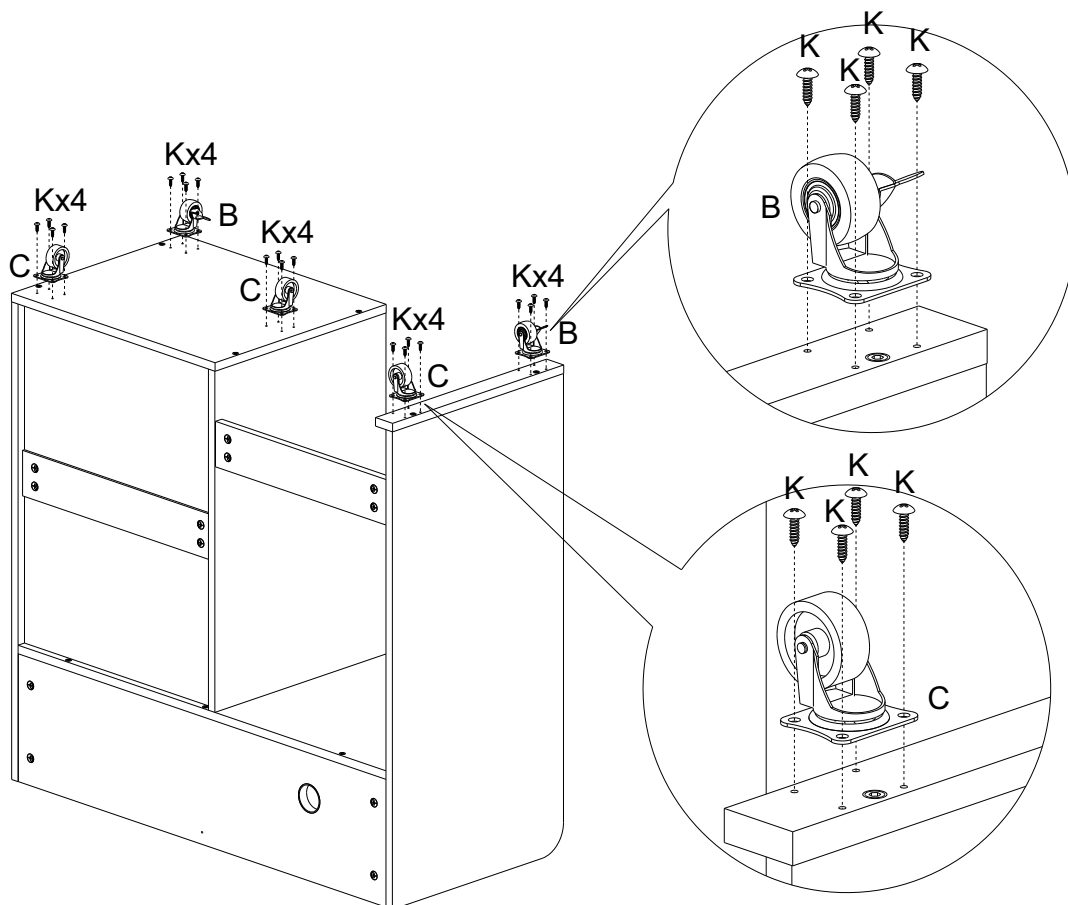
18

Hx6
Gx6

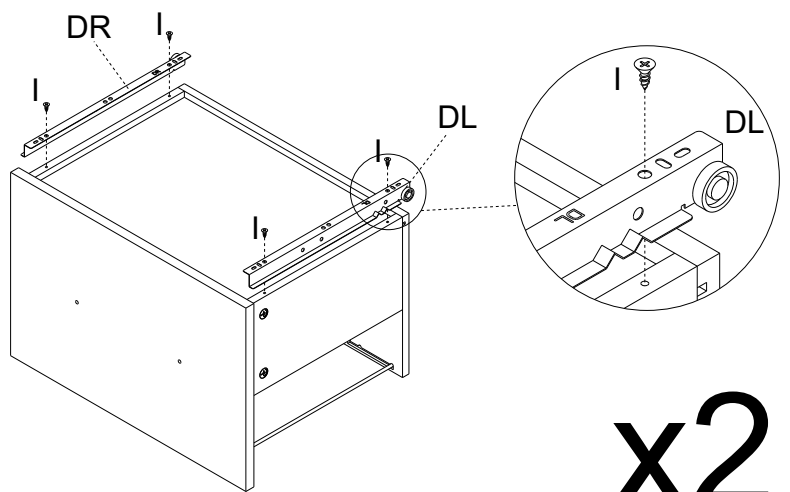
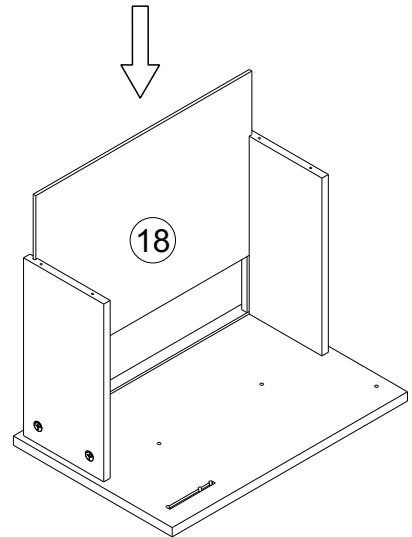
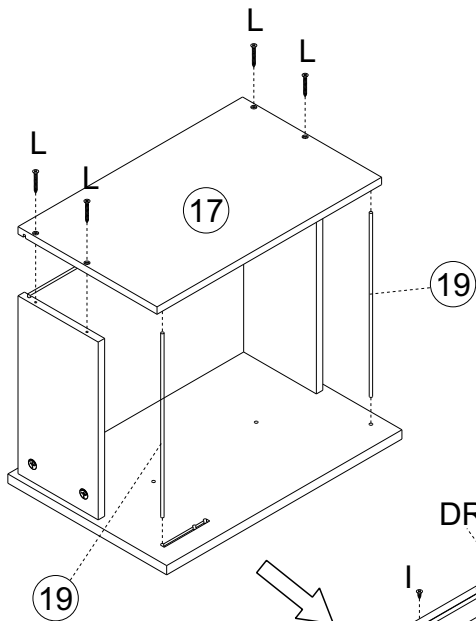
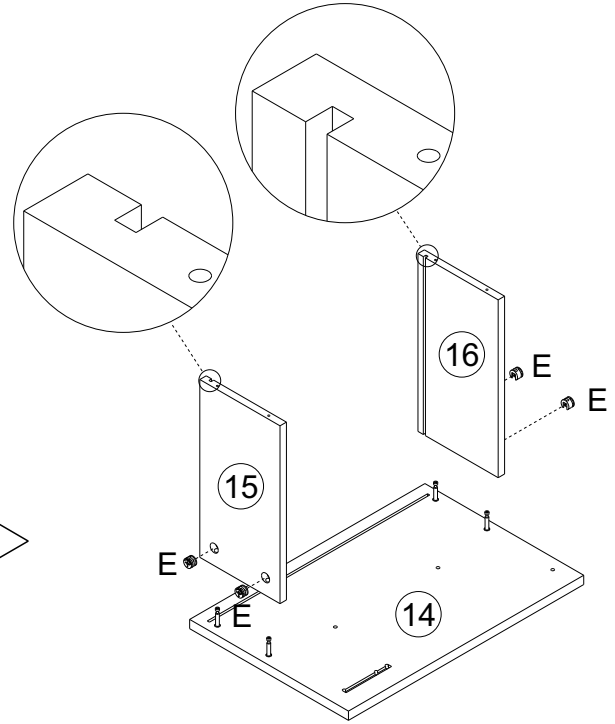
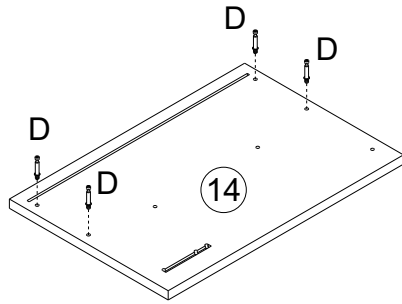


19

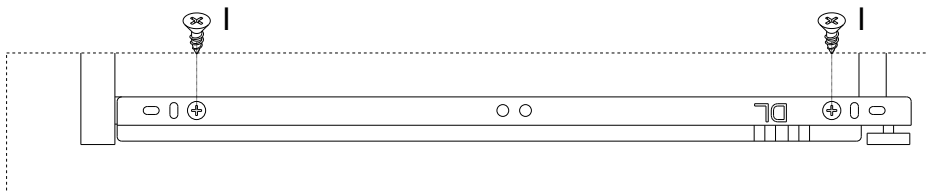
Bx2
Cx3
Kx20



Dx8	Ex8	Lx8
Ax2		Ix8

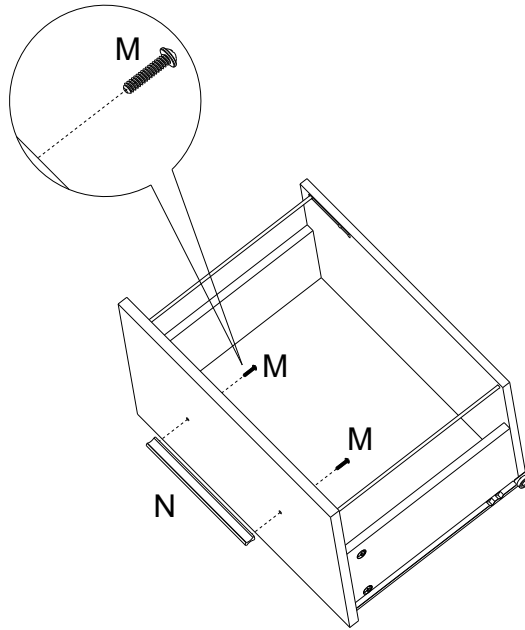


x2



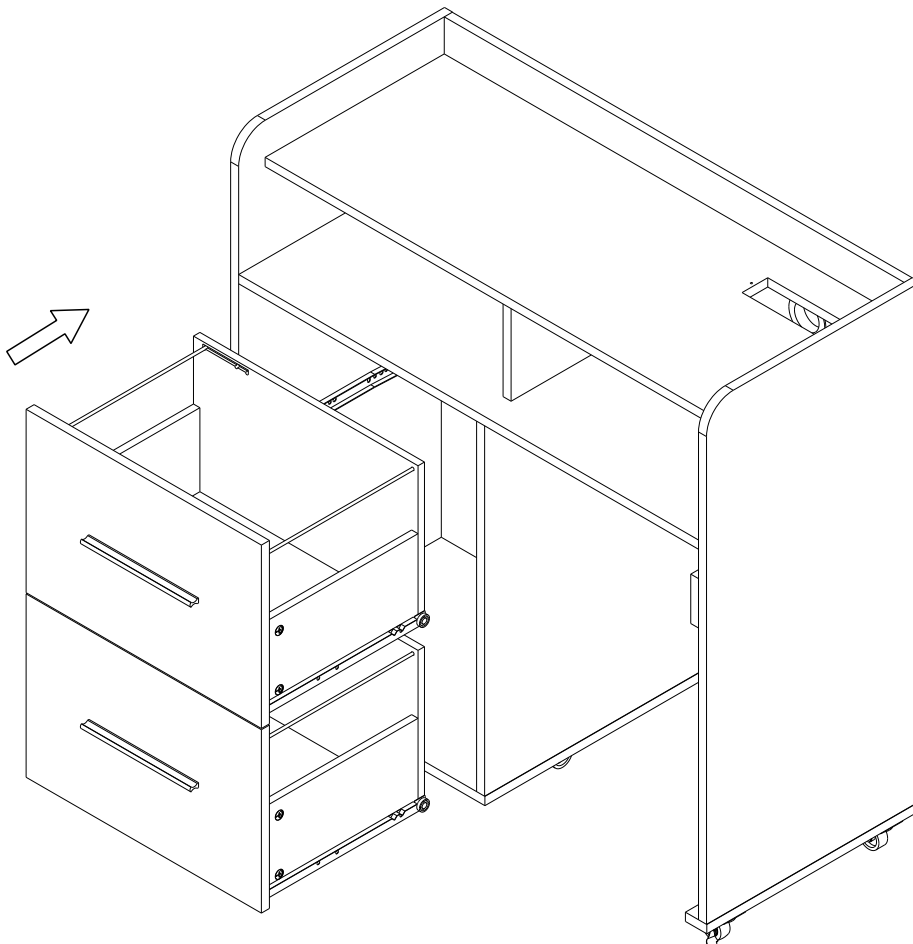
21

Mx4
Nx2



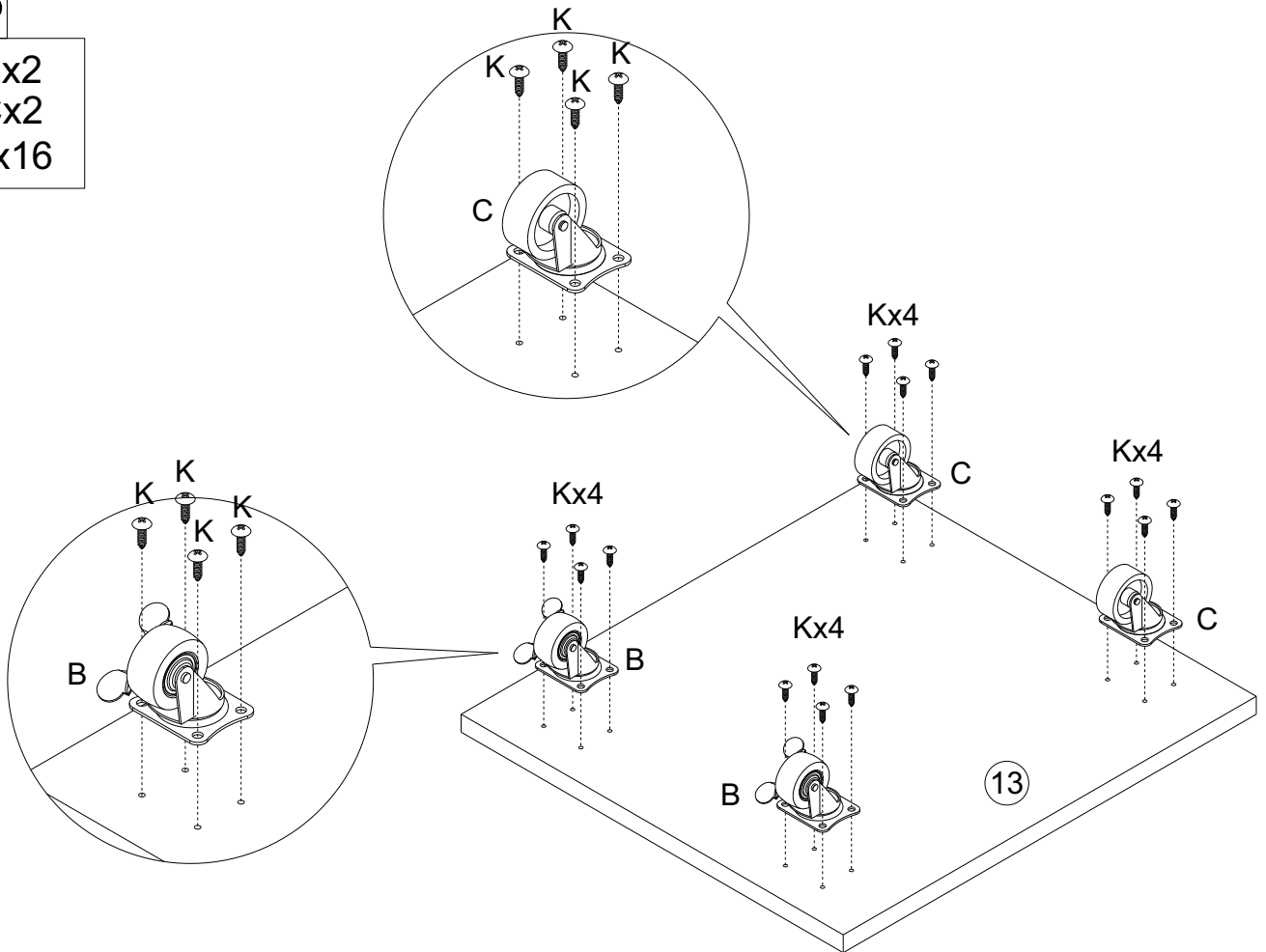
x2

22



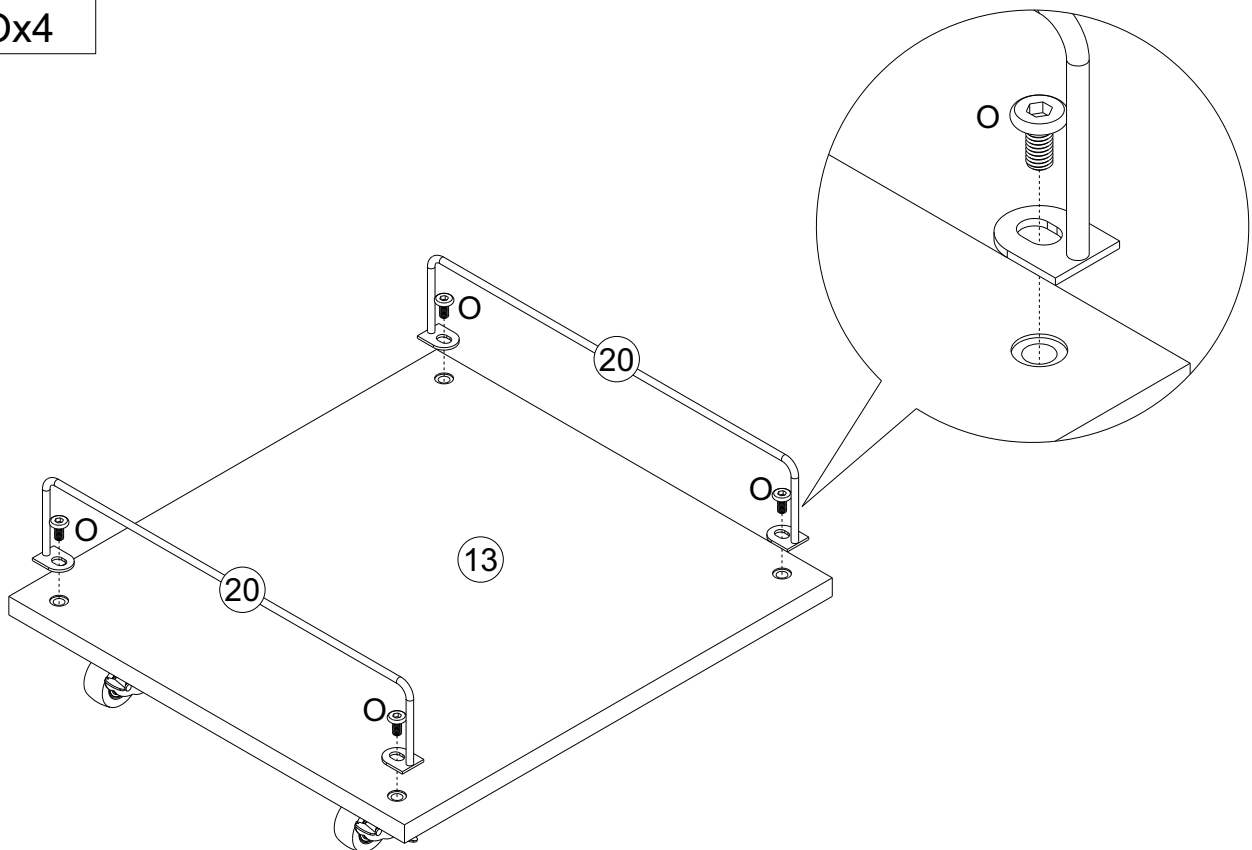
23

Bx2
Cx2
Kx16

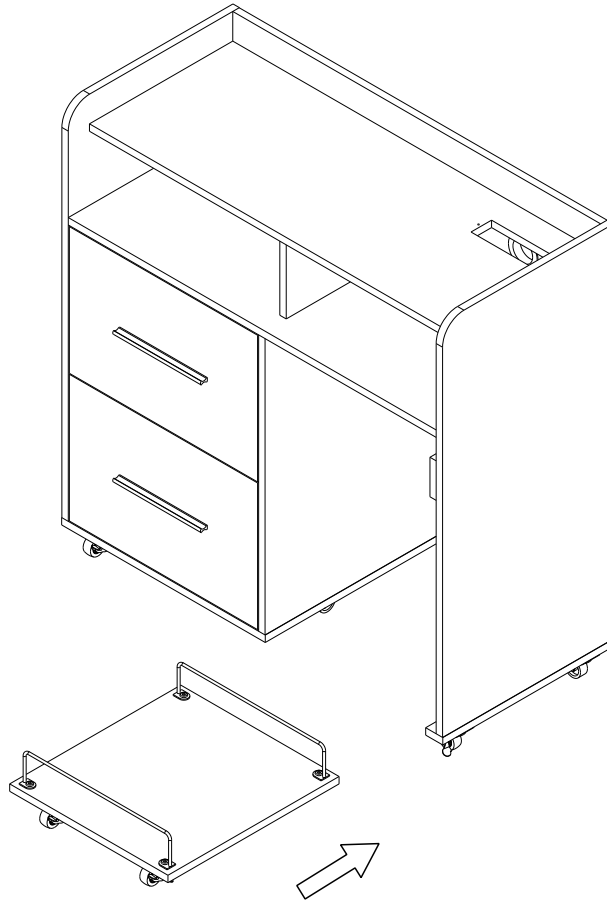


24

Ox4

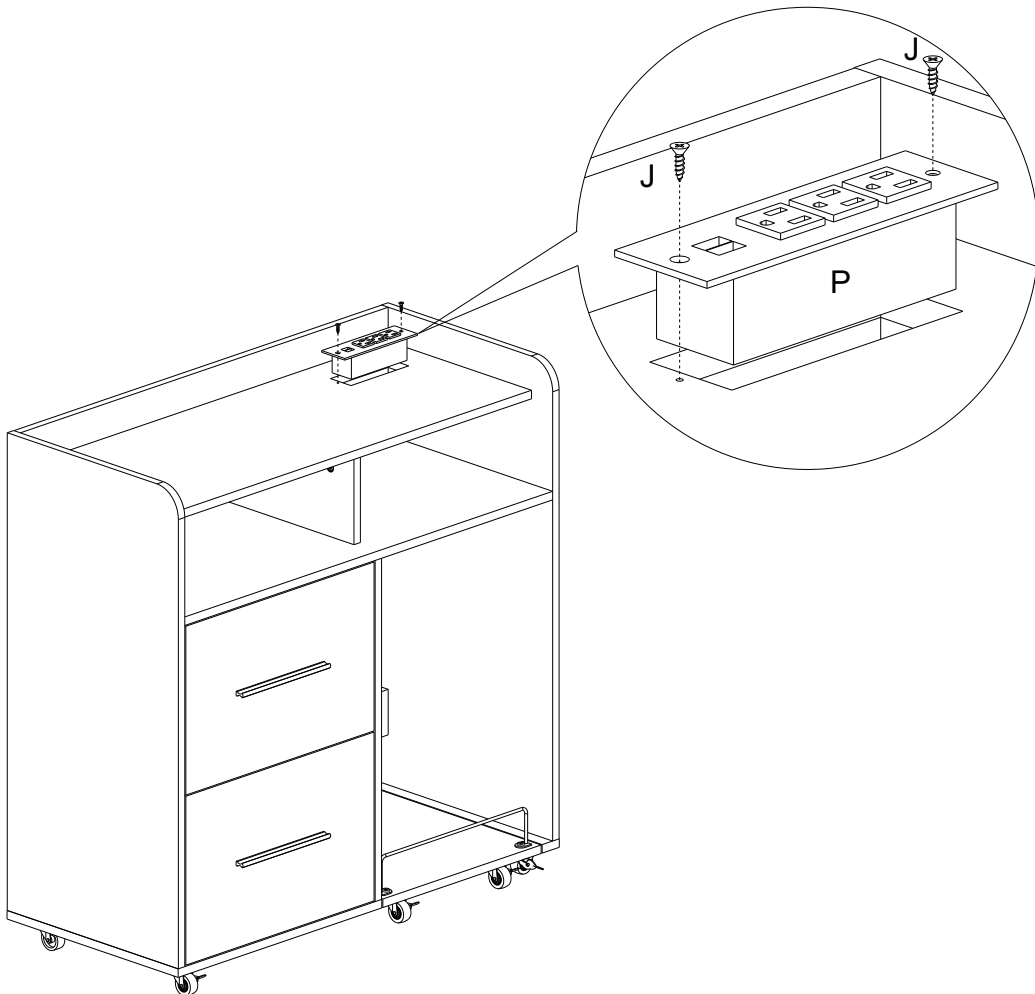


25



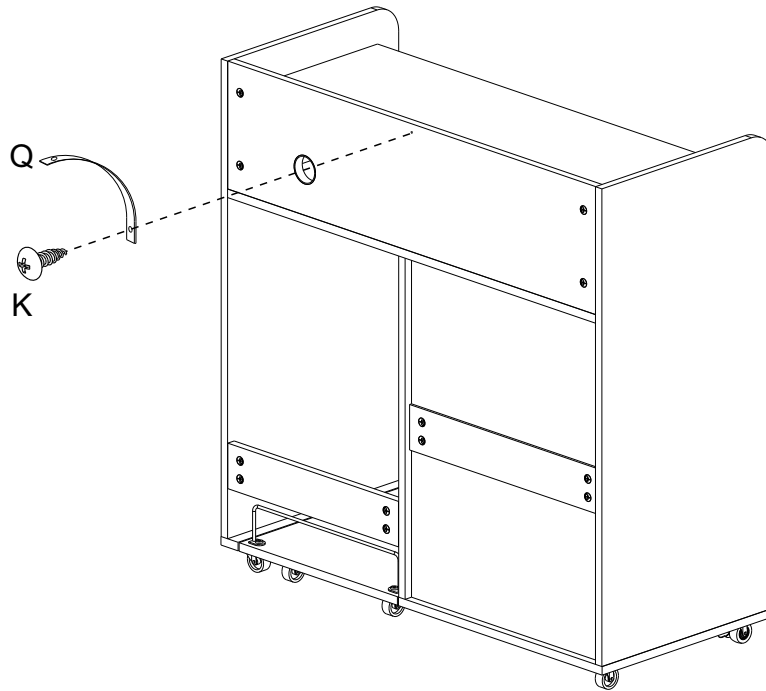
26

Jx2
Px1



27

Kx1
Qx1

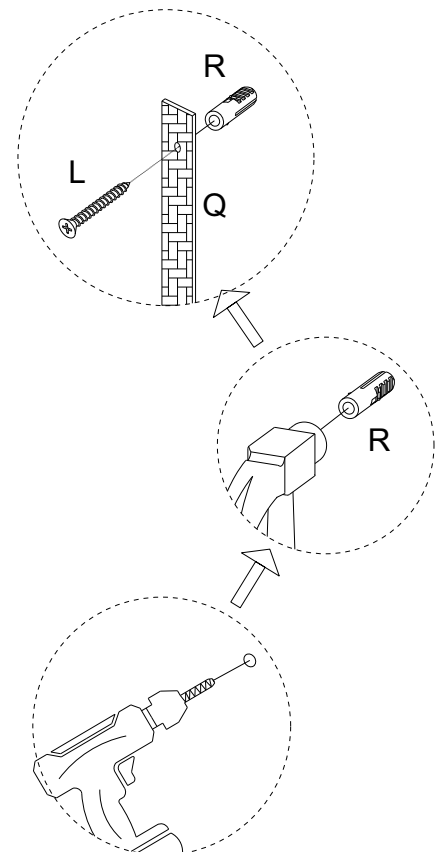


28

Lx1
Rx1



Attention: For safety and stability, we suggest you have to secure the anti-tip accessories to the wall to prevent tipping, injury, and property damage.



Installation Completed

