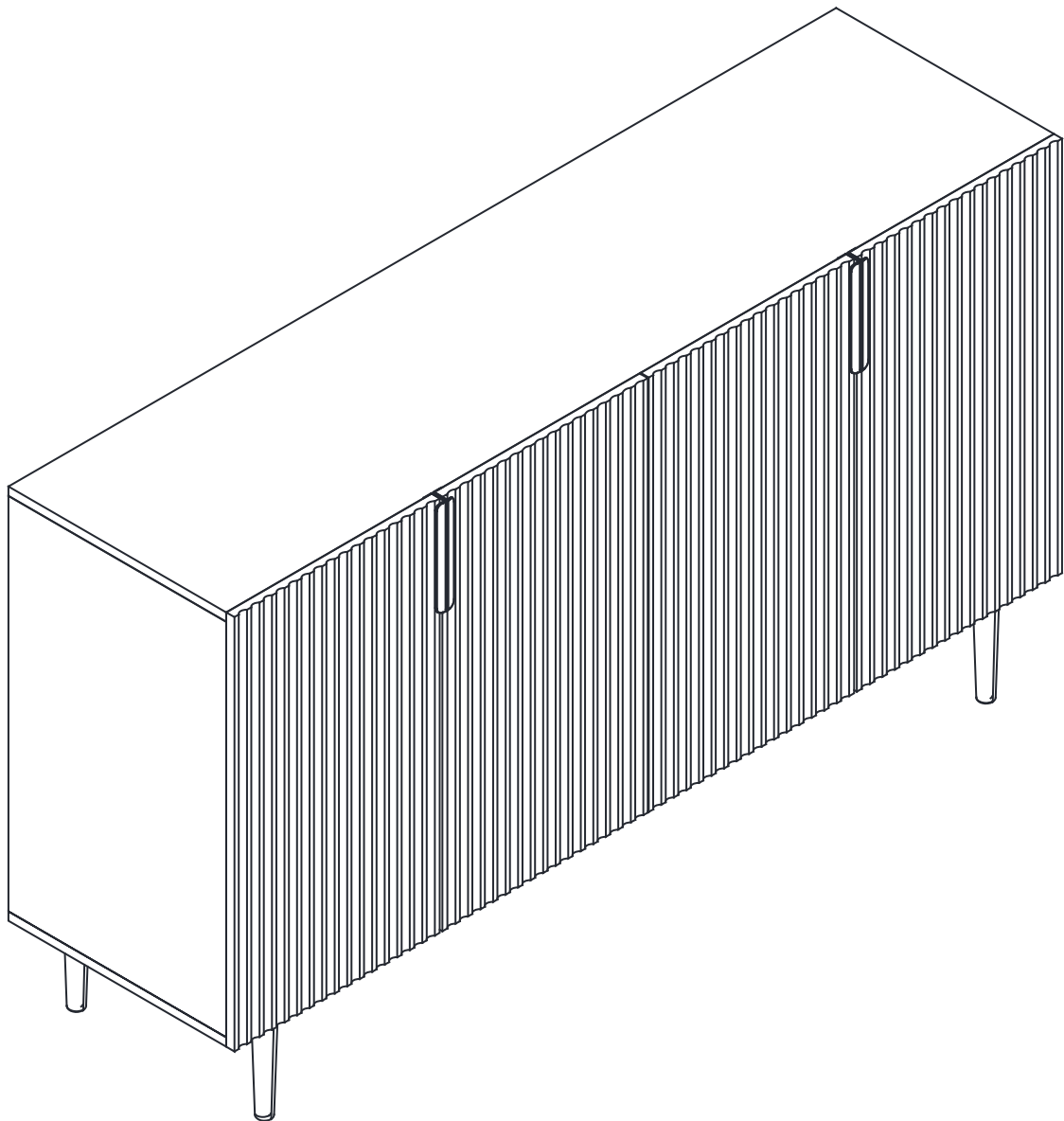
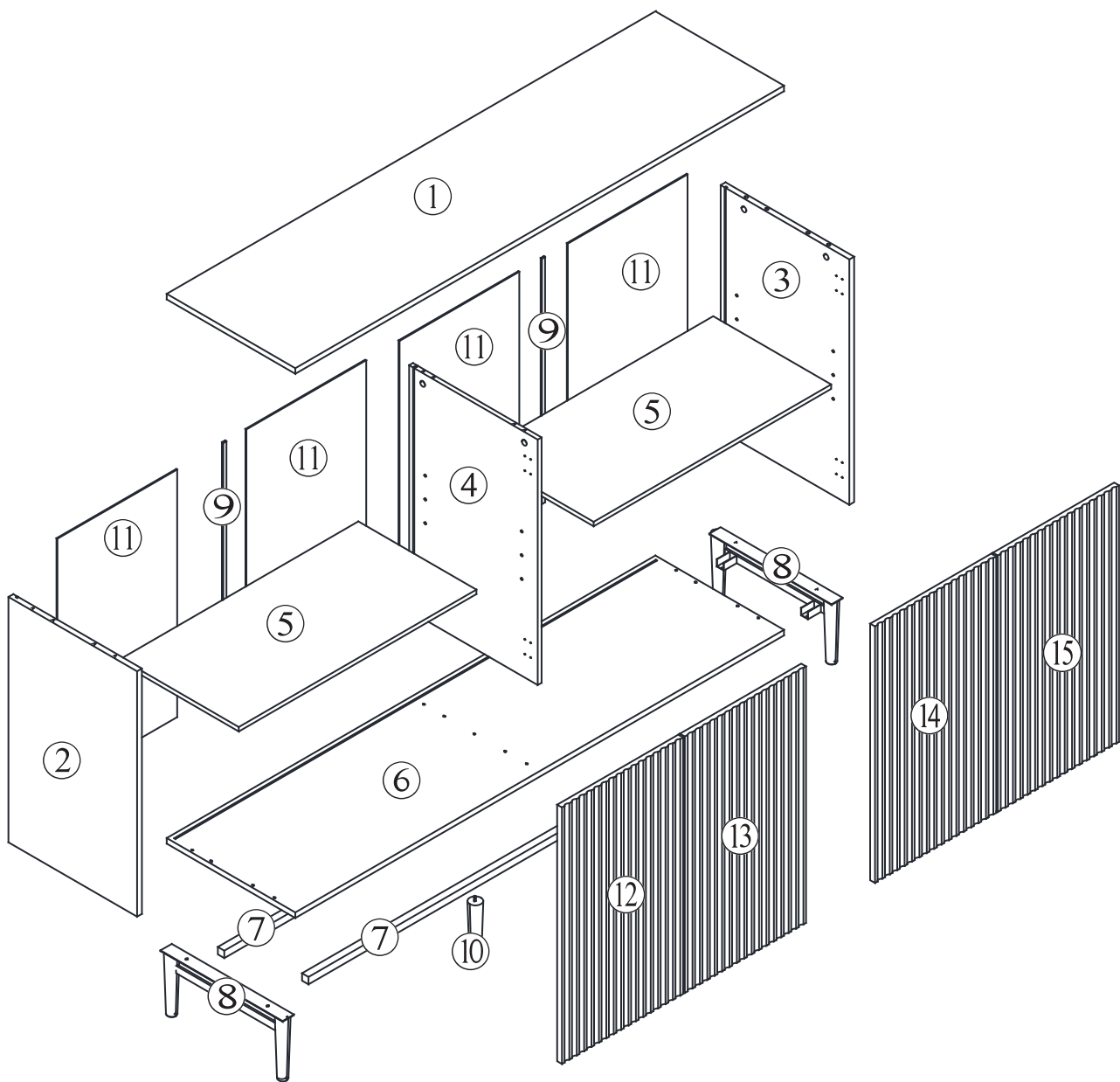
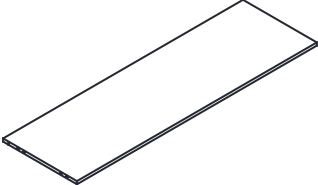
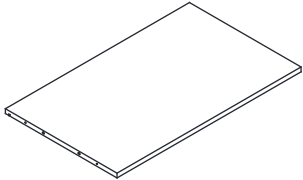
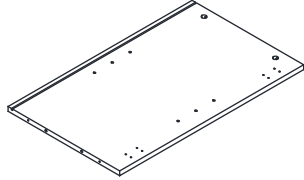
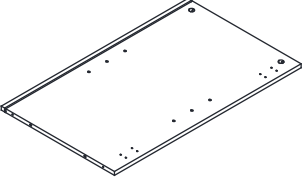
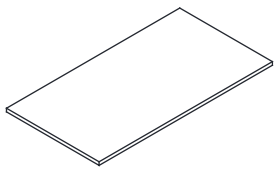
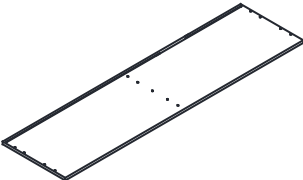
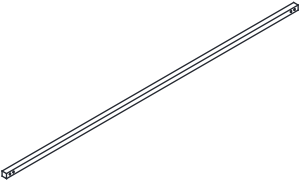
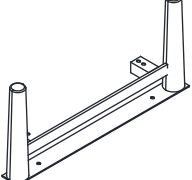


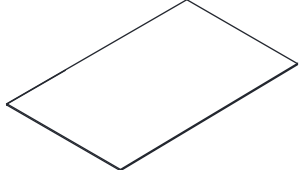
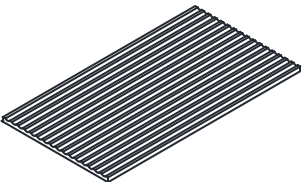
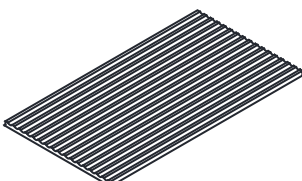
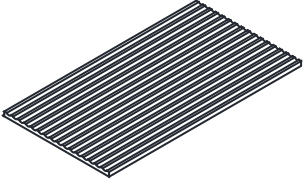
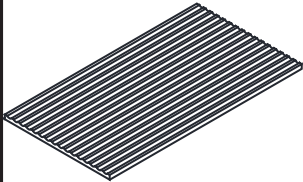


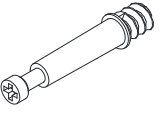


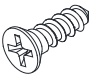
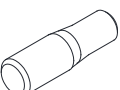
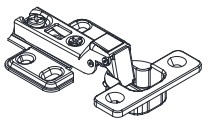
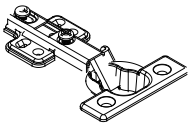
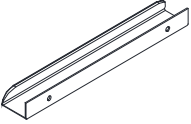
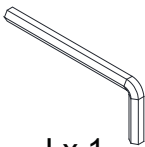
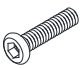
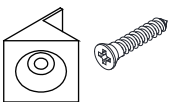
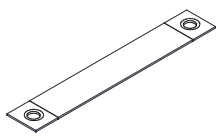

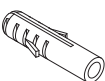
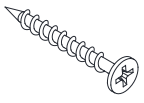

# ASSEMBLY INSTRUCTION

WF304382

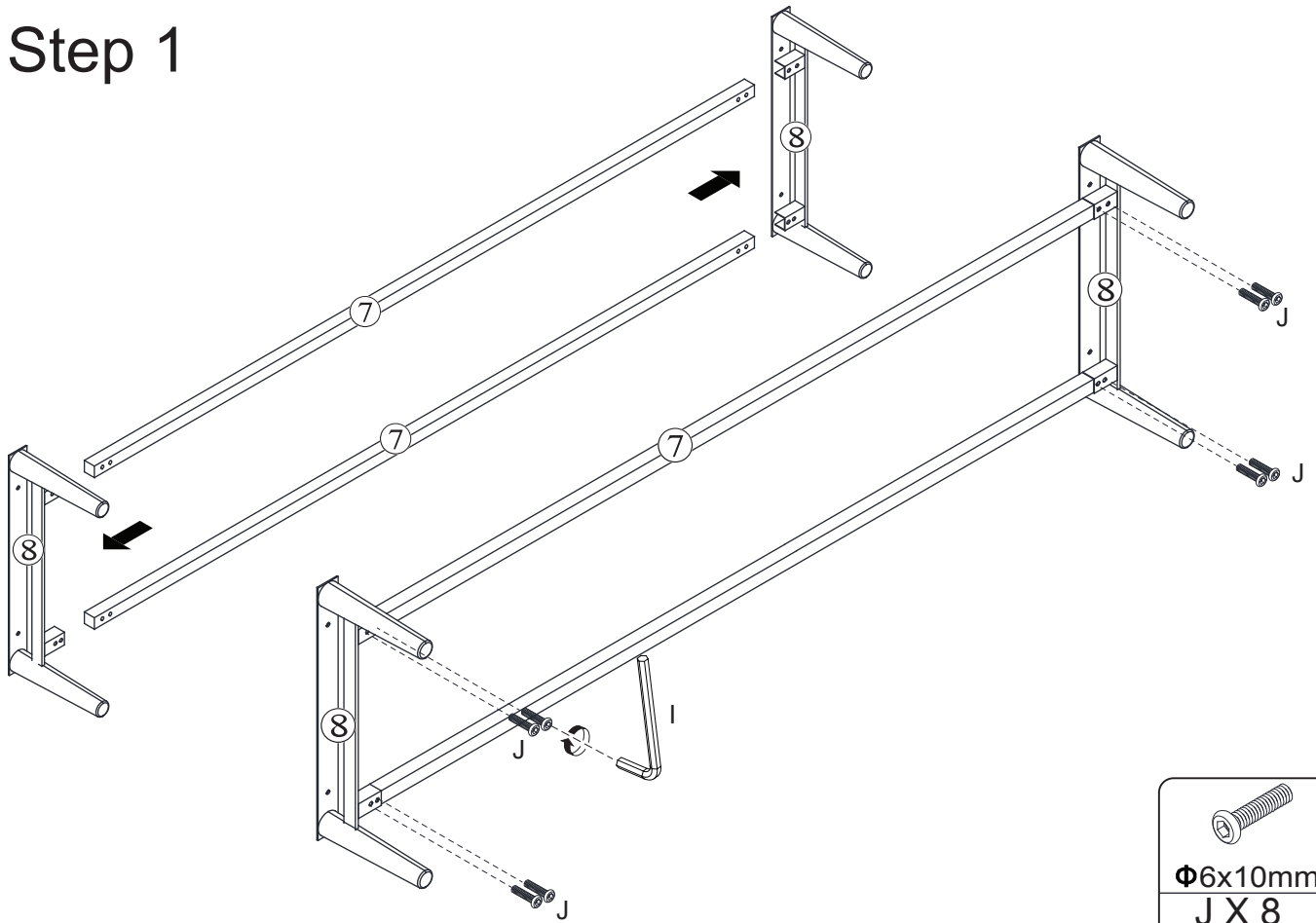




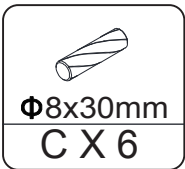
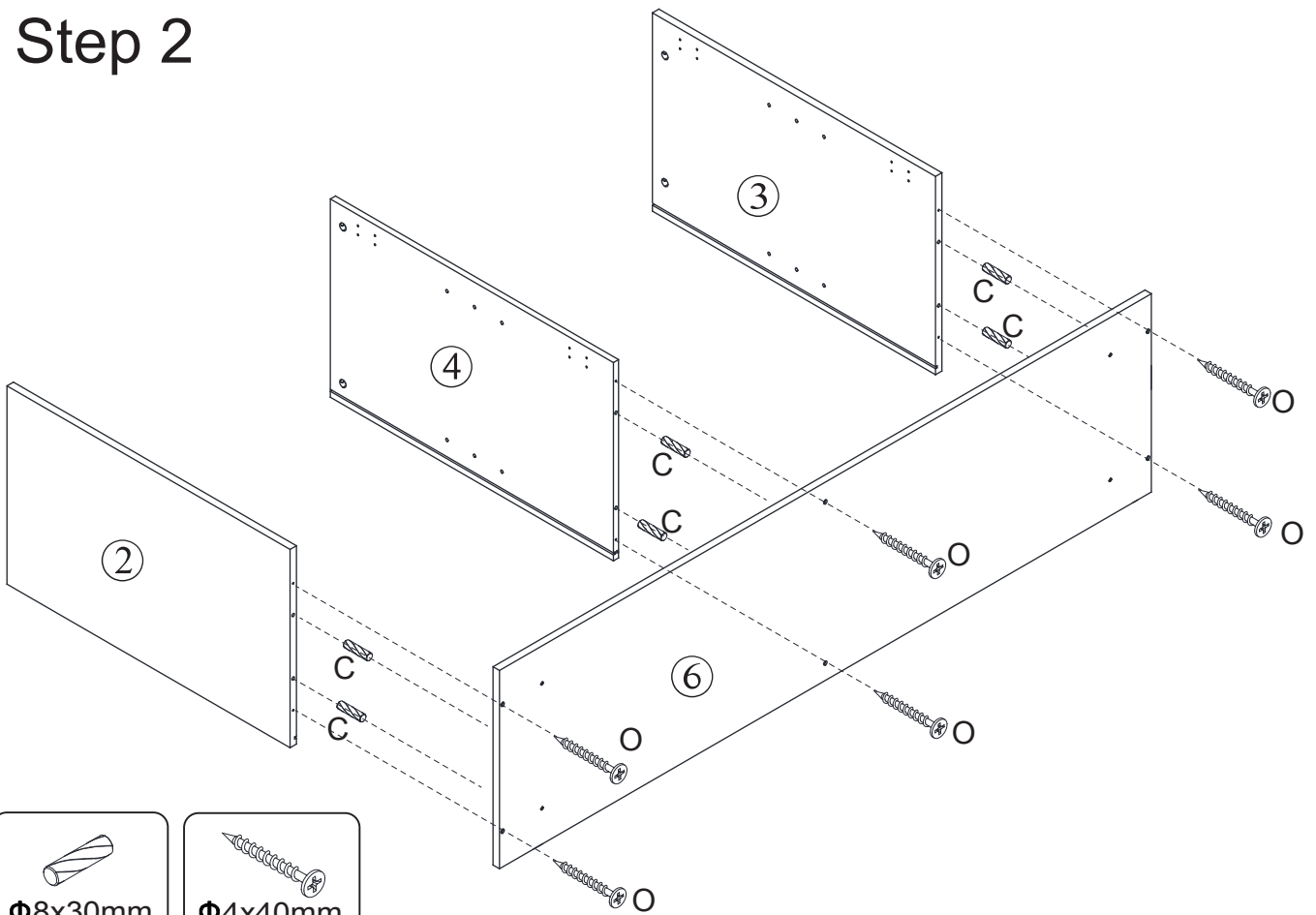
 ① x 1	 ② x 1	 ③ x 1	 ④ x 1
 ⑤ x 2	 ⑥ x 1	 ⑦ x 2	 ⑧ x 2
 ⑨ x 2	 ⑩ x 1	 ⑪ x 4	 ⑫ x 1
 ⑬ x 1	 ⑭ x 1	 ⑮ x 1	

 A x 6	 B x 6	 Φ8x30mm C x 12	 Φ4x14mm D x 48	 E x 8
 F x 4	 G x 4	 H x 4	 I x 1	 Φ6x10mm J x 12
 Φ3x14mm K x 14	 L x 2	 Φ4x12mm M x 2	 N x 2	 Φ4x40mm O x 8
				 Φ3x12mm P x 8

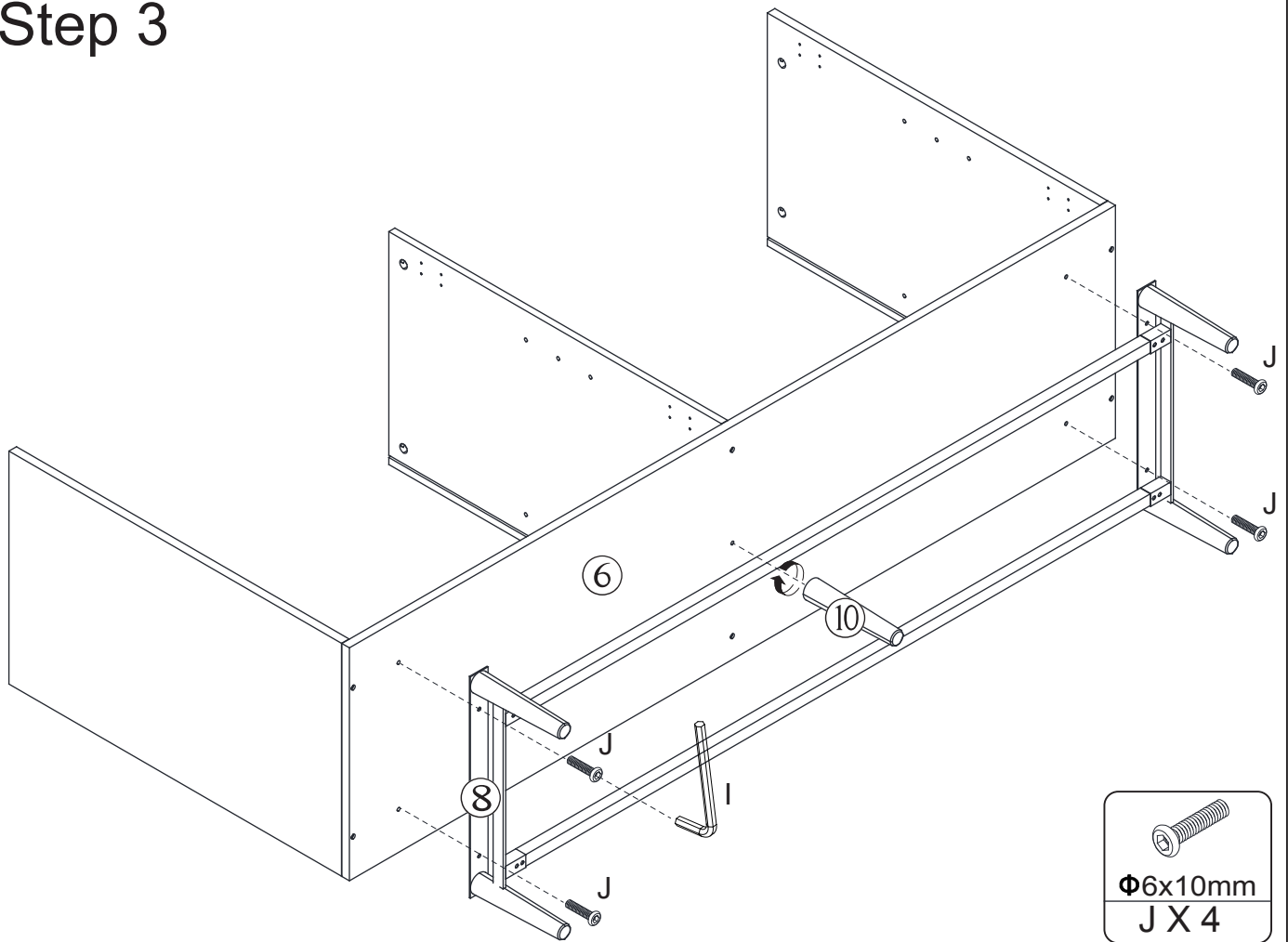
# Step 1



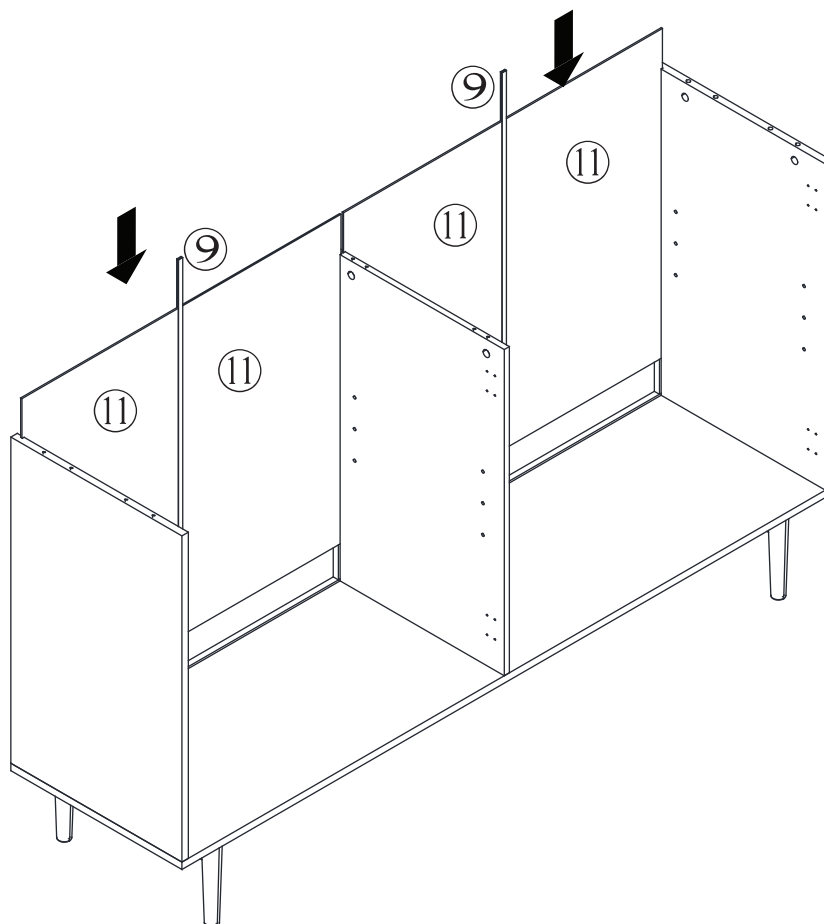
# Step 2



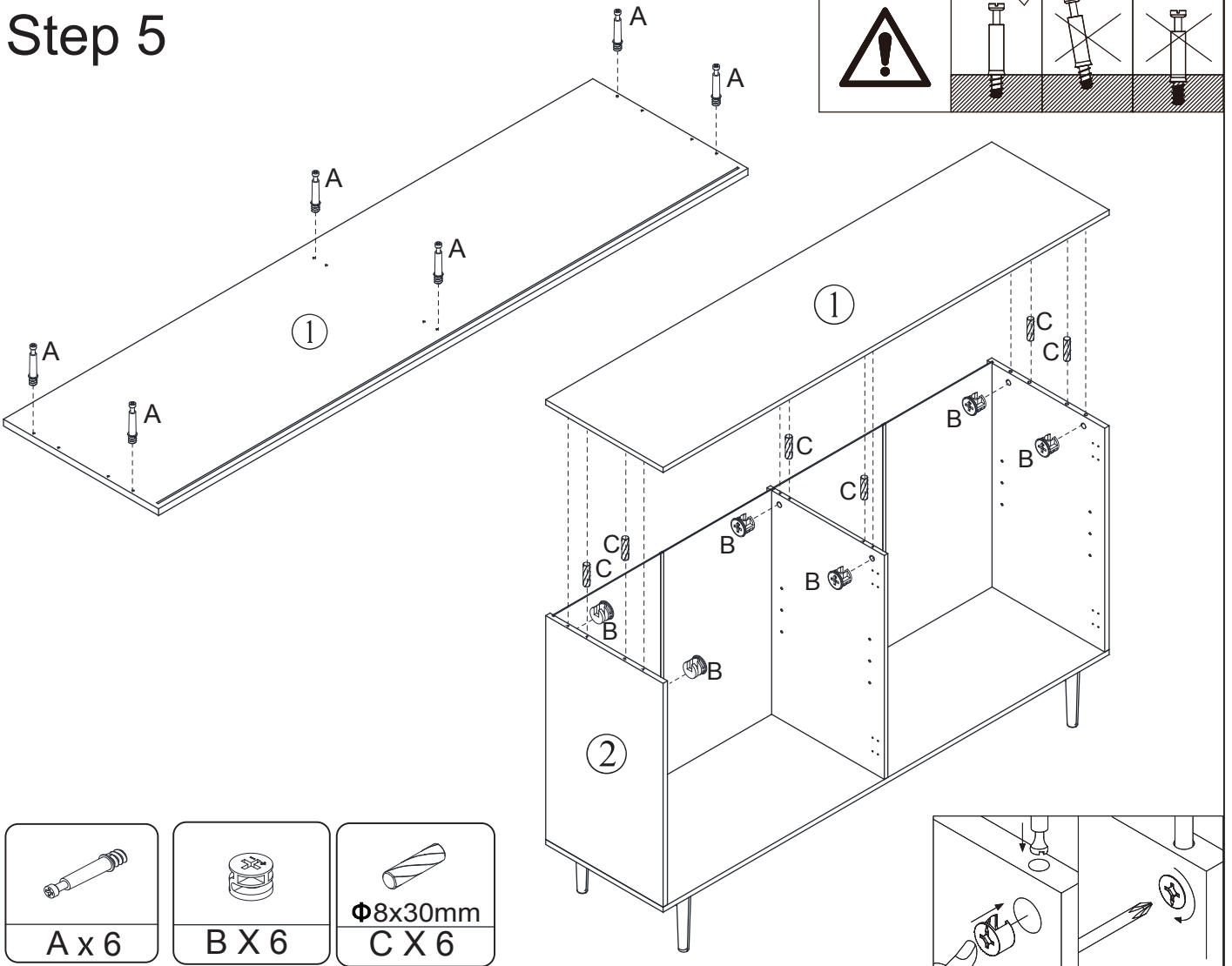
## Step 3



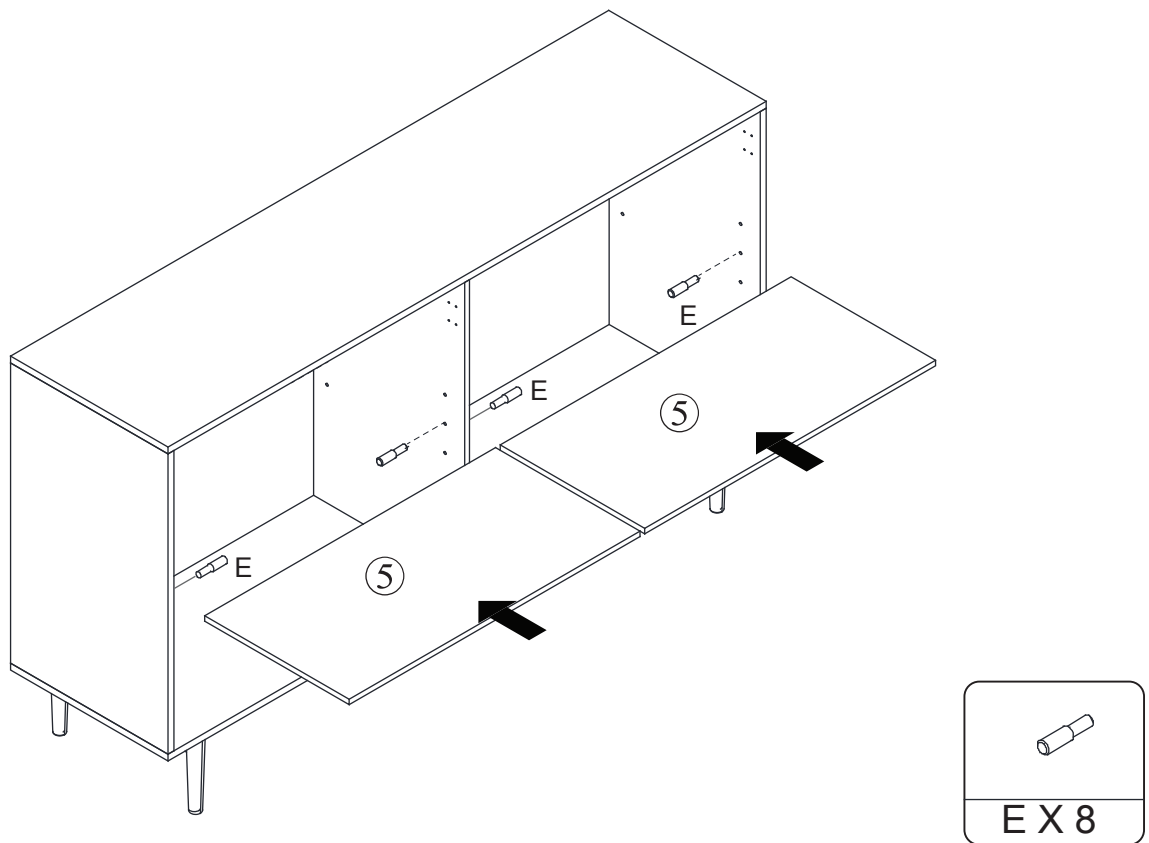
## Step 4



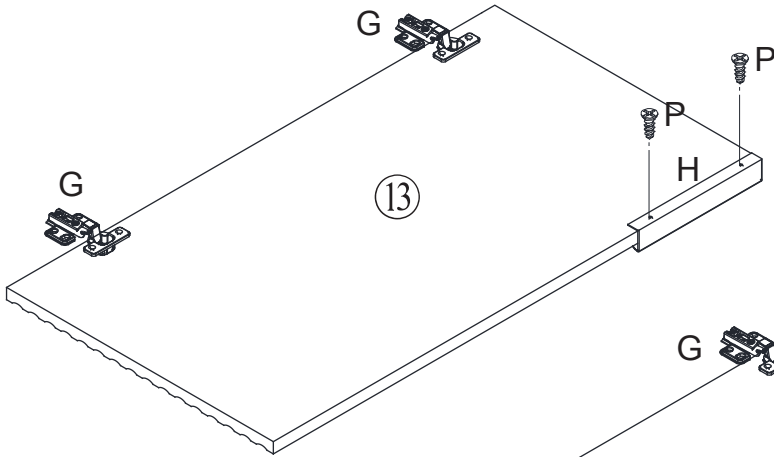
# Step 5



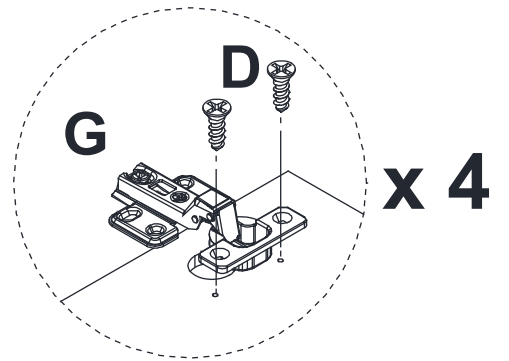
# Step 6



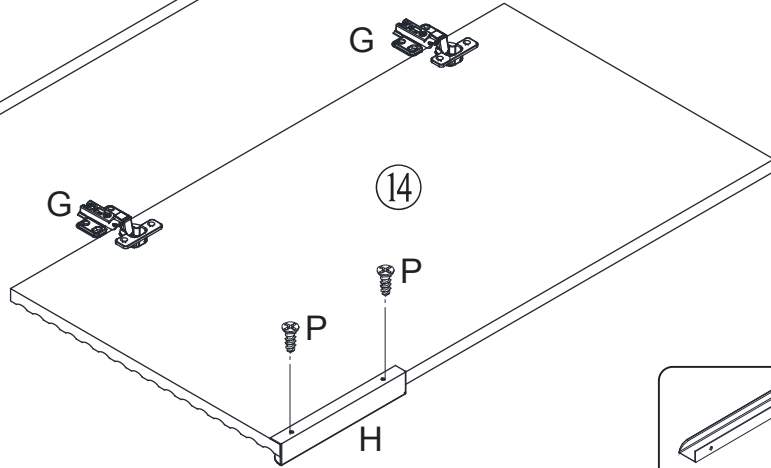
# Step 7



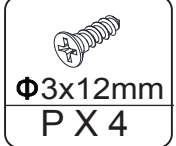
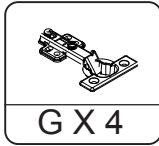
13



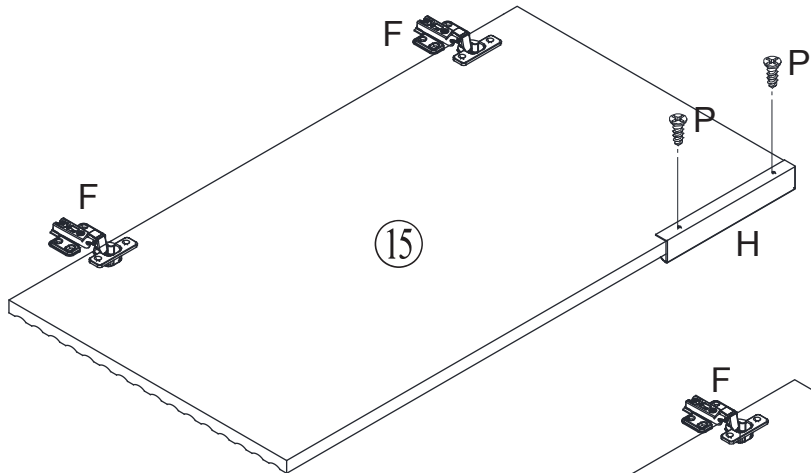
x 4



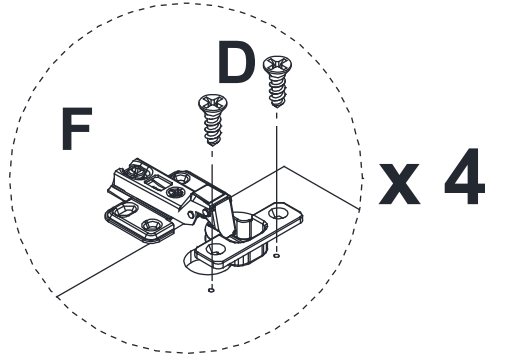
14



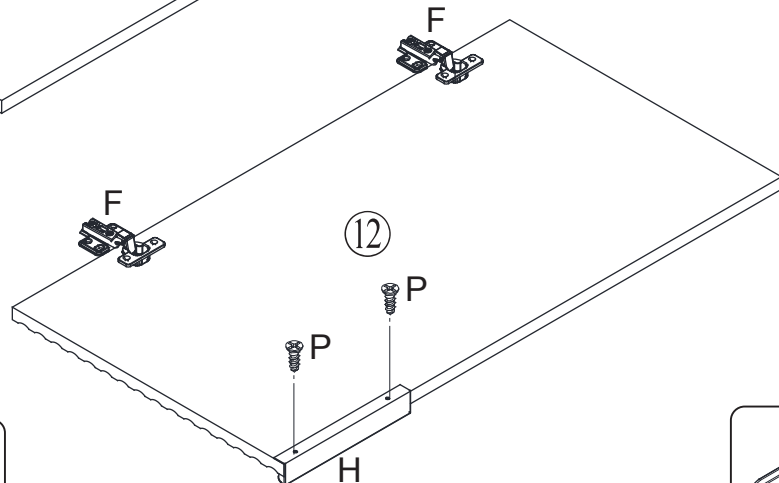
# Step 8



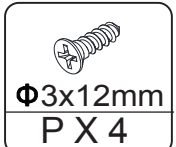
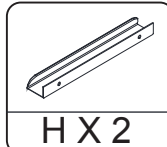
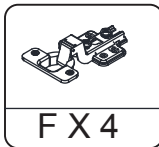
15



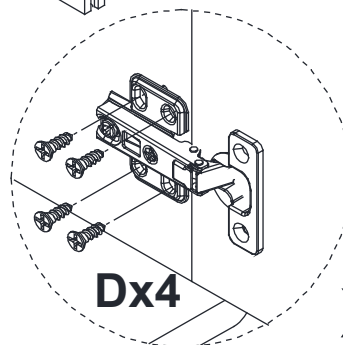
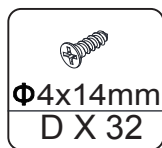
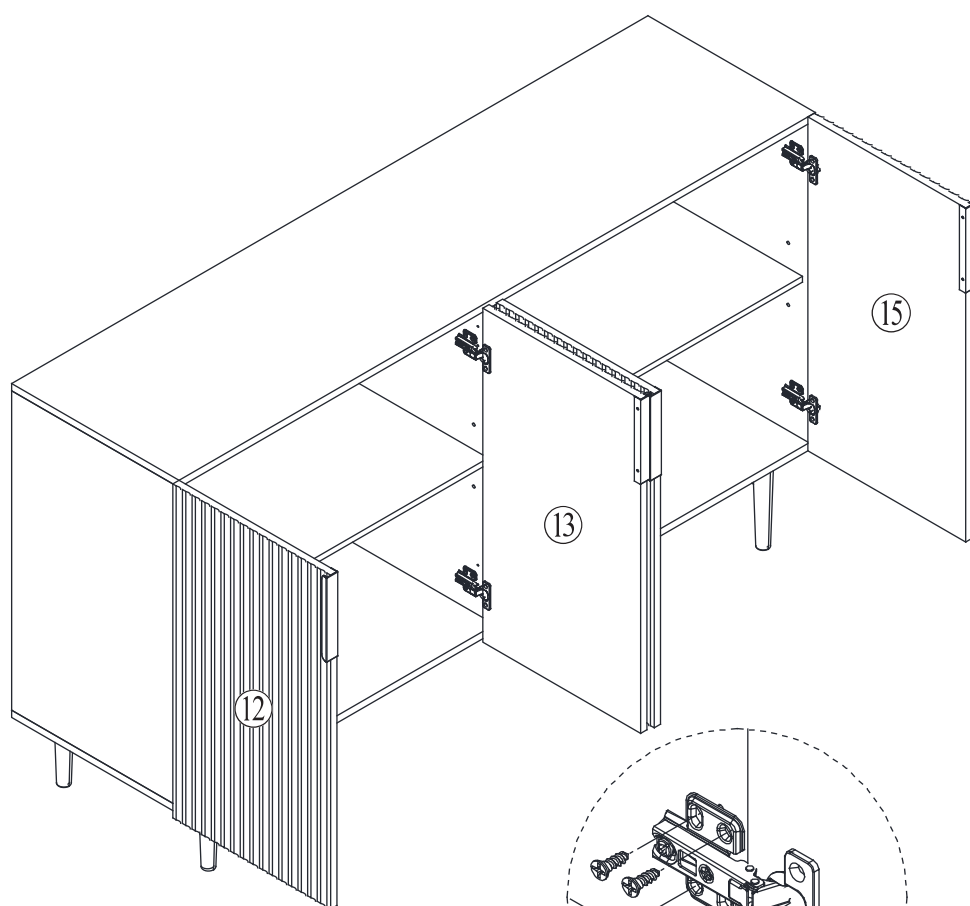
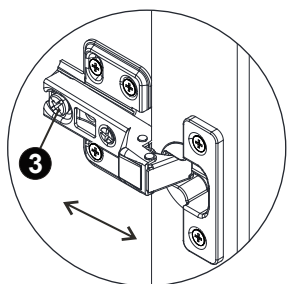
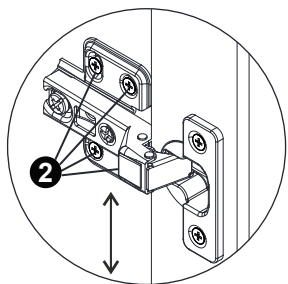
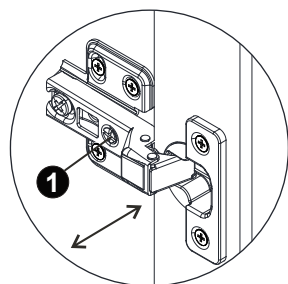
x 4



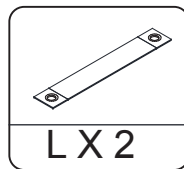
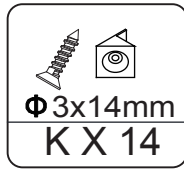
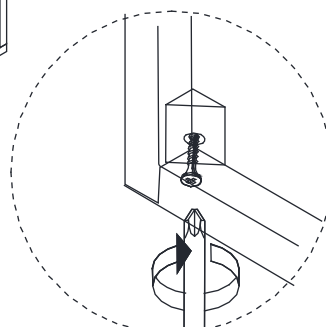
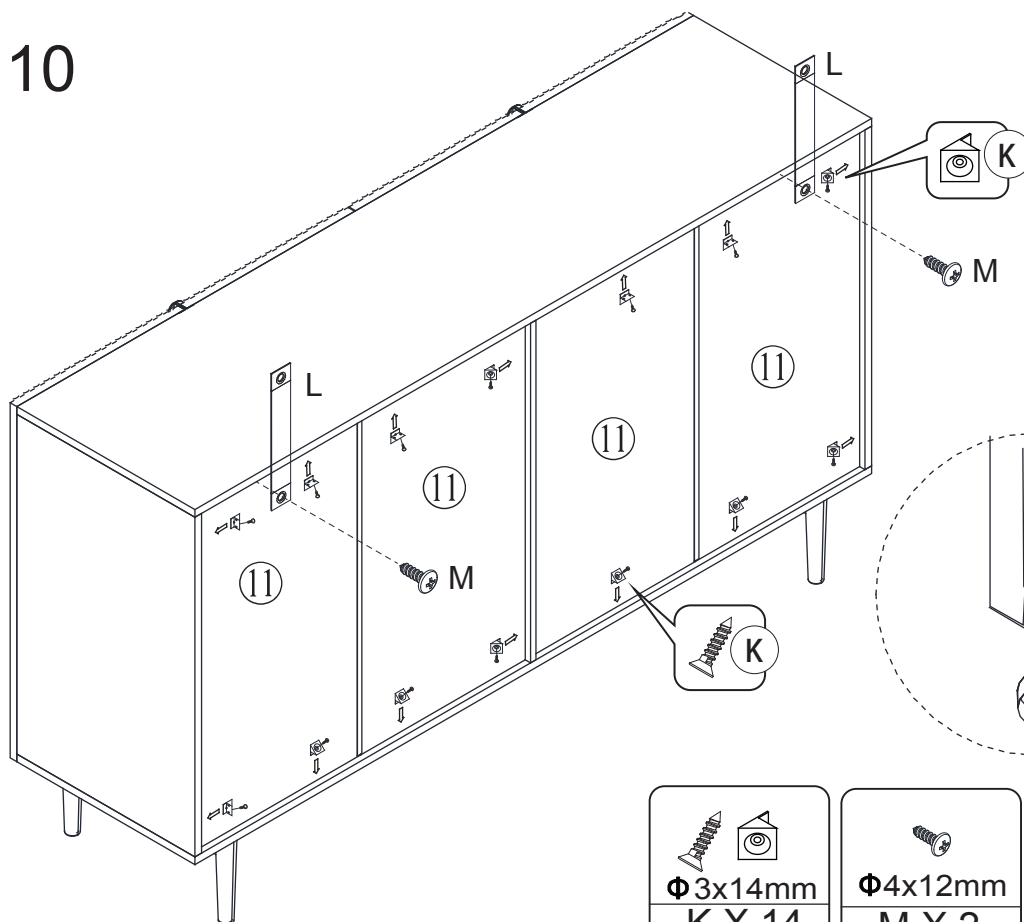
12



# Step 9

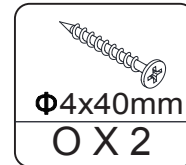
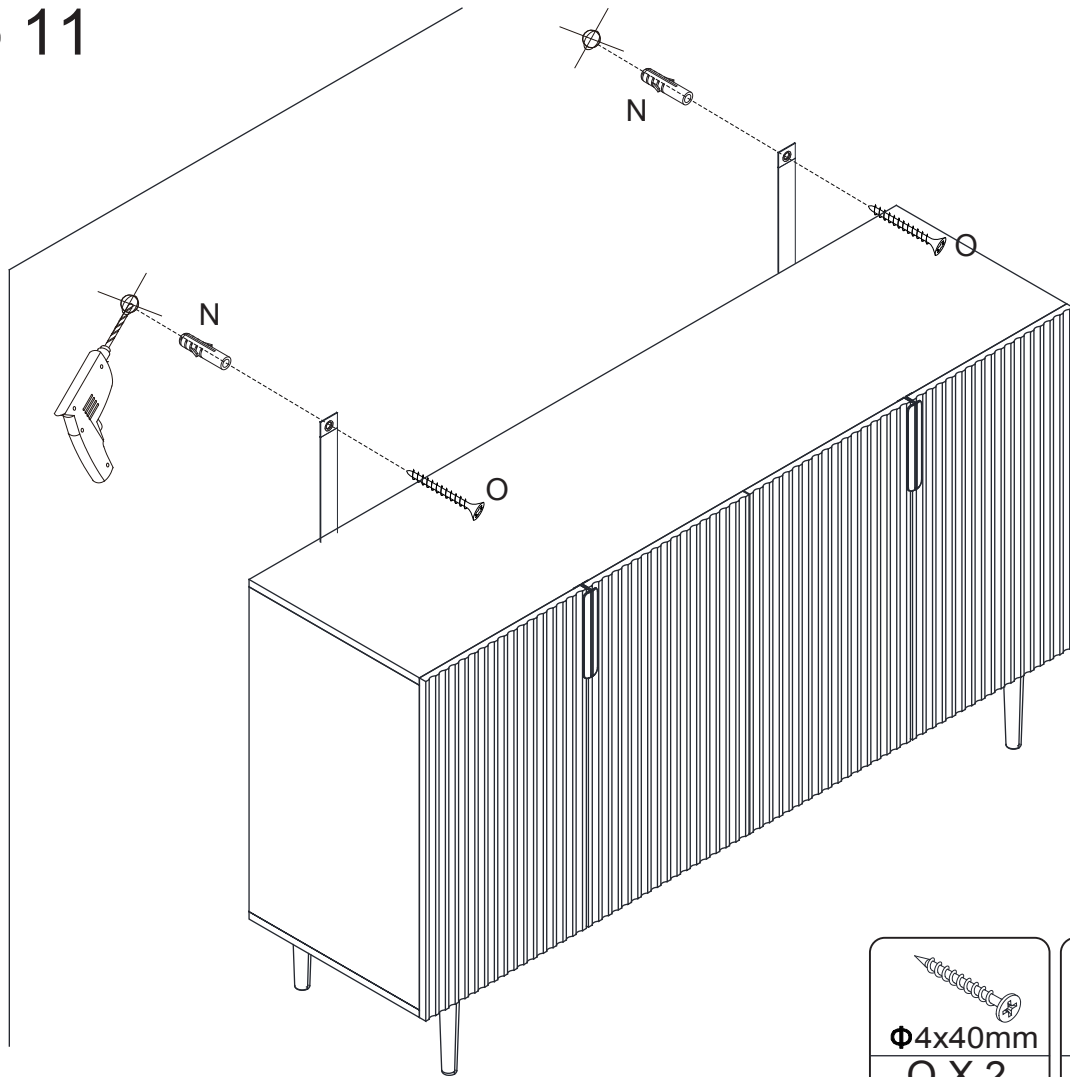


# Step 10





# Step 11



# Step 12

