

Thank you for choosing a **PALACE IMPORTS** product.  
Your total satisfaction is our #1 priority.

### Customer Service and Warranty Information

- Should you have a problem or need more information concerning the warranty, **do not contact the place of purchase. Please email our customer service department for immediate assistance at [info@palaceimportsinc.com](mailto:info@palaceimportsinc.com) or go to [www.palaceimportsinc.com](http://www.palaceimportsinc.com)**
- PALACE IMPORTS products are warranted to the original purchaser against defects in material or workmanship in the furniture. Defects as mentioned in this warranty refer to any imperfections which may impair the use of the product. Our warranty is expressly limited to the replacement of furniture parts and components for one year following the date of purchase.
- PALACE IMPORTS will replace any part that is defective. This warranty applies under conditions of normal use. Our furniture products are not intended for outdoor use. The warranty does not cover defects caused by improper assembly or disassembly, defects occurring after purchase due to product modifications, intentional damage, accident, misuse, exposure to the elements and labor or assembly costs.
- PALACE IMPORTS reserves the right to request proof of purchase to document a warranty claim. In no event shall PALACE IMPORTS be liable for incidental or consequent damages resulting from the misuse of the product.

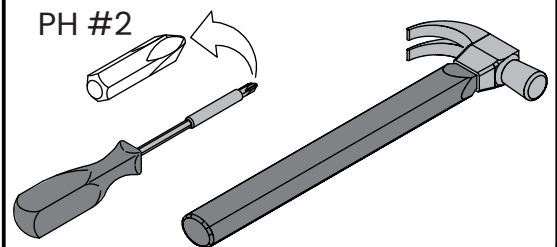
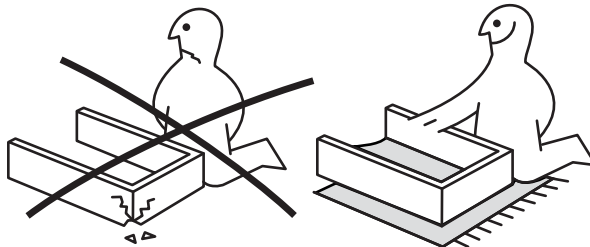
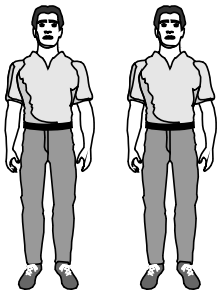
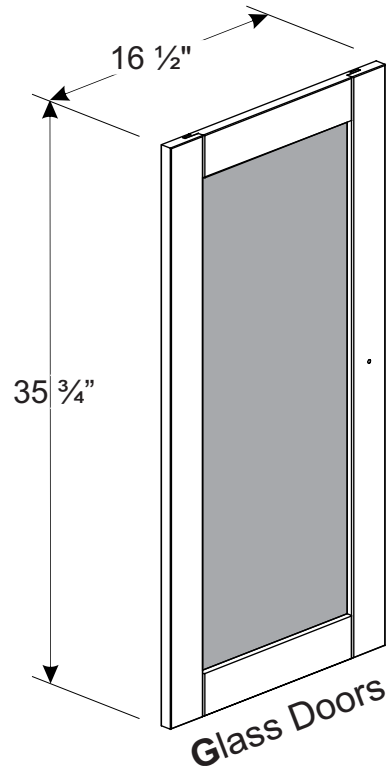
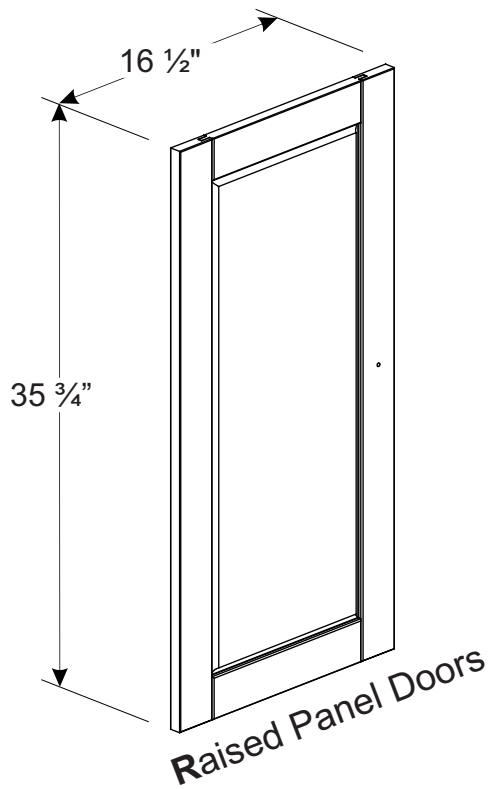


# ASSEMBLY GUIDE

## 1 PANTRY DOOR

### (GLASS OR RAISED PANEL)

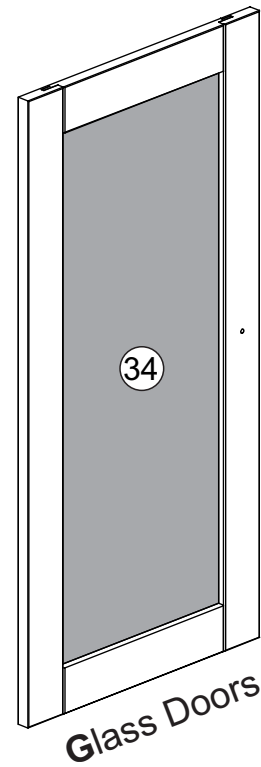
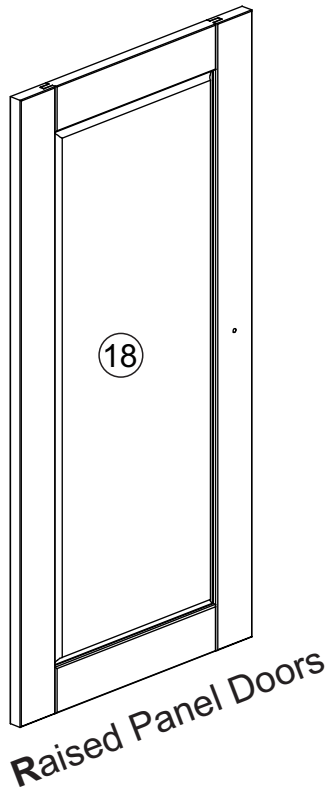
SKU 9011 / 9017 - White  
SKU 9031 / 9037 - Black




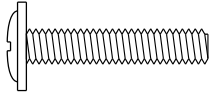
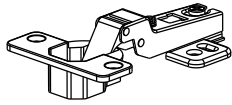

# PRE-ASSEMBLY PREPARATION

- Please check the contents before assembling. A full checklist of parts is provided below
- If any parts are missing or damaged, please contact us at [info@palaceimportsinc.com](mailto:info@palaceimportsinc.com)
- Assemble on a flat, smooth surface on top of a blanket
- Use only low-speed power drill setting
- Assemble as near as possible to the point of use
- The hardware pack contains SMALL ITEMS which should be KEPT AWAY FROM YOUNG CHILDREN

## PARTS DIAGRAM



SCREWS ARE SHOWN IN ACTUAL SIZE

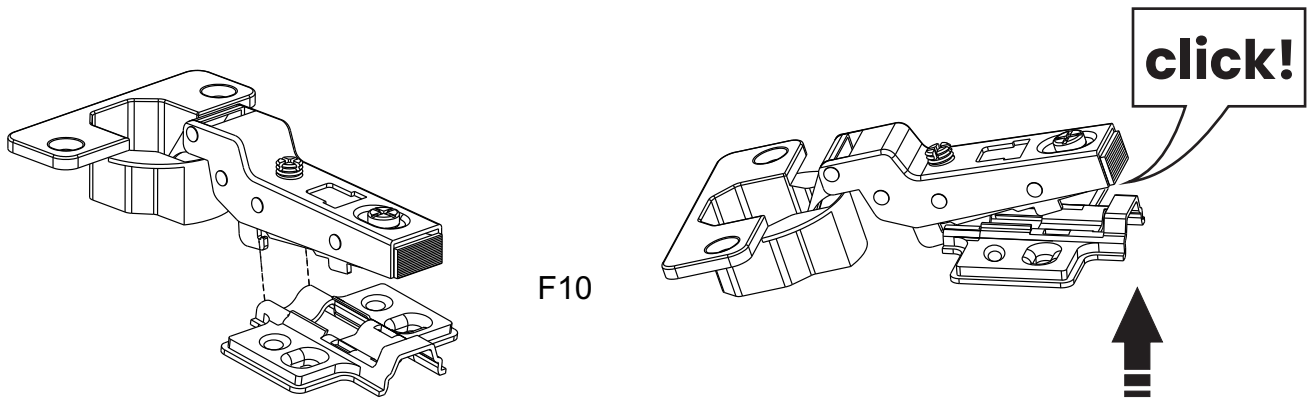
A44	 3,5x14	08+1
A25	 M4x25	01+1
F10		02
H4		01

 **WARNING:**  
**CHOKING HAZARD**  
Small Parts  
Adult Supervision Required  
Not for children under 3 years old

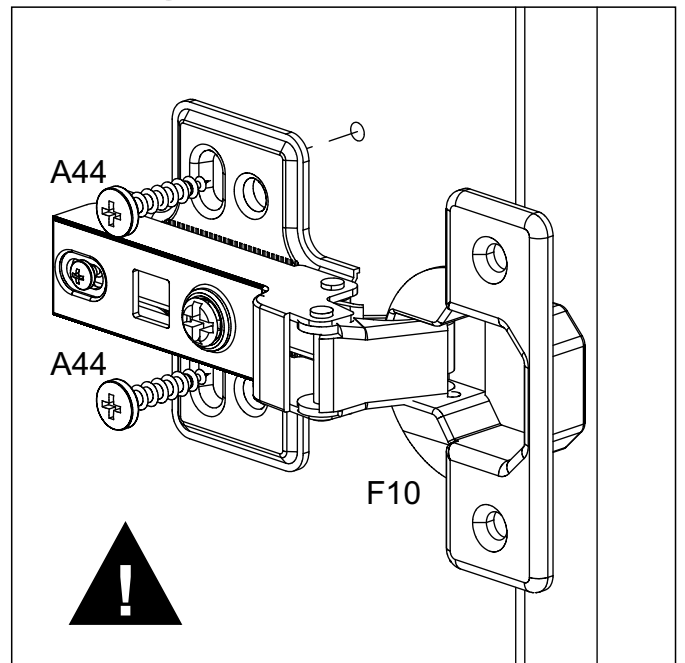
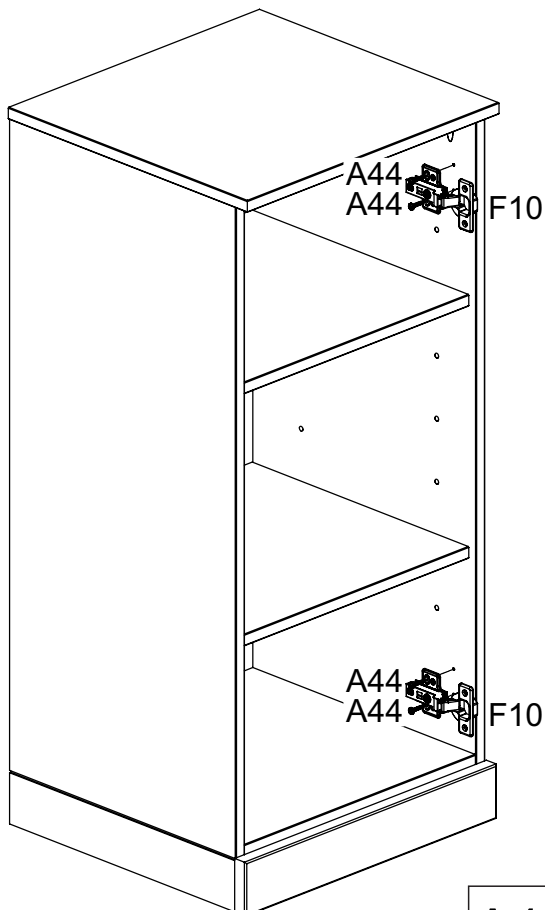
01)

Attach hinge ( F10 ) to hinge plate if it came separated.

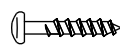
Push hinge against plate until it clicks.



02) Hinge installation for the door on the right



A44



3,5x14

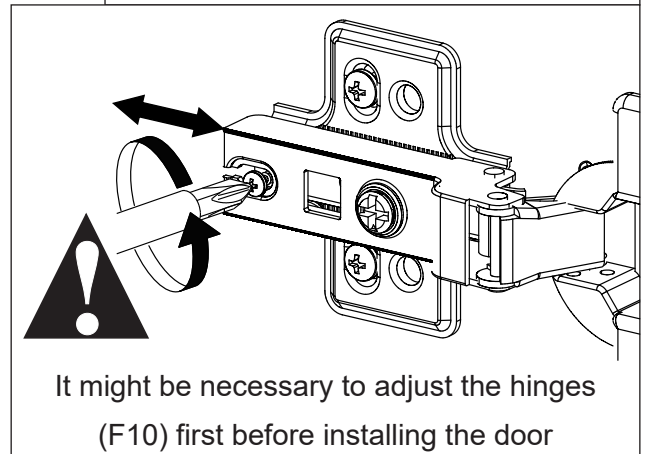
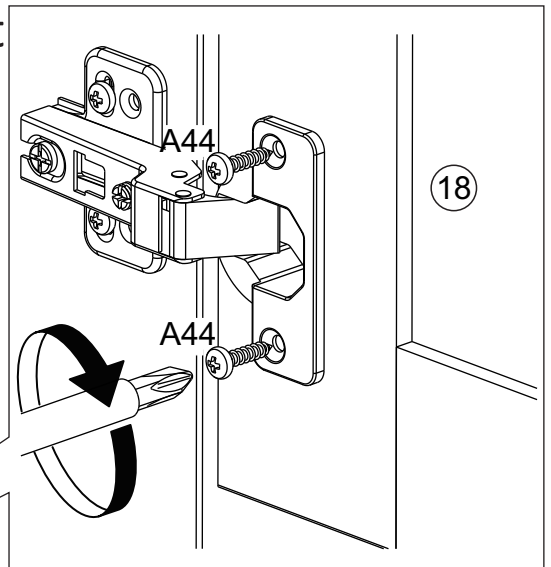
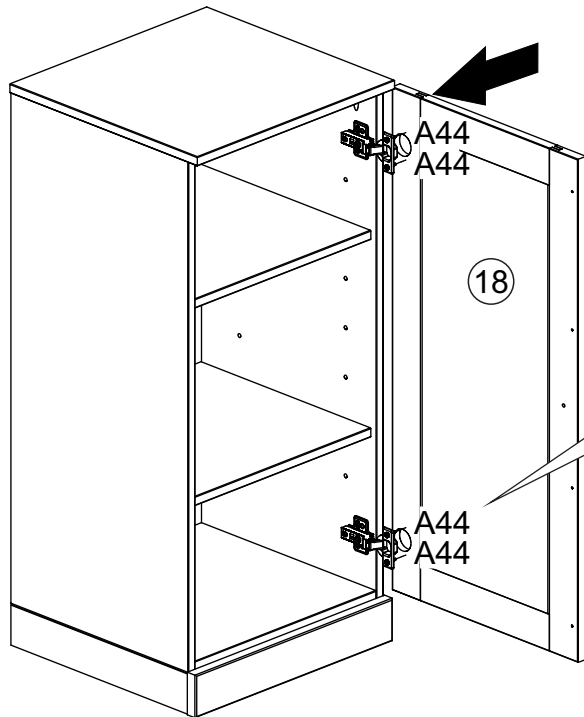
04

F10

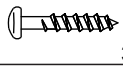


02

### 03) Installing raised panel door on the right



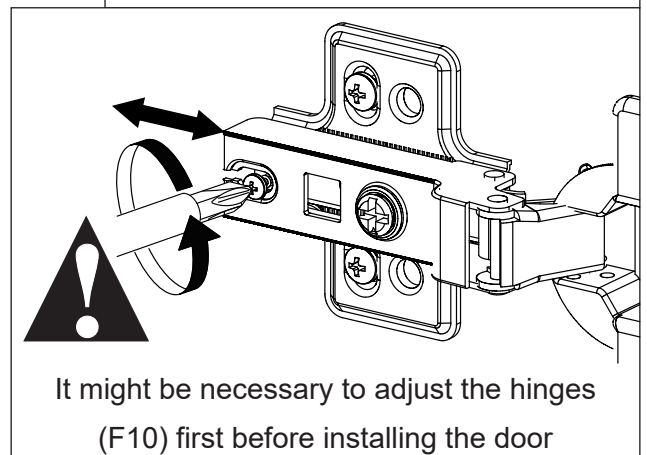
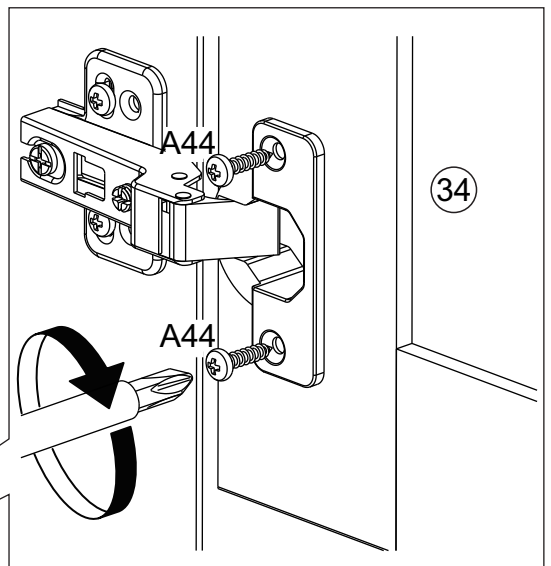
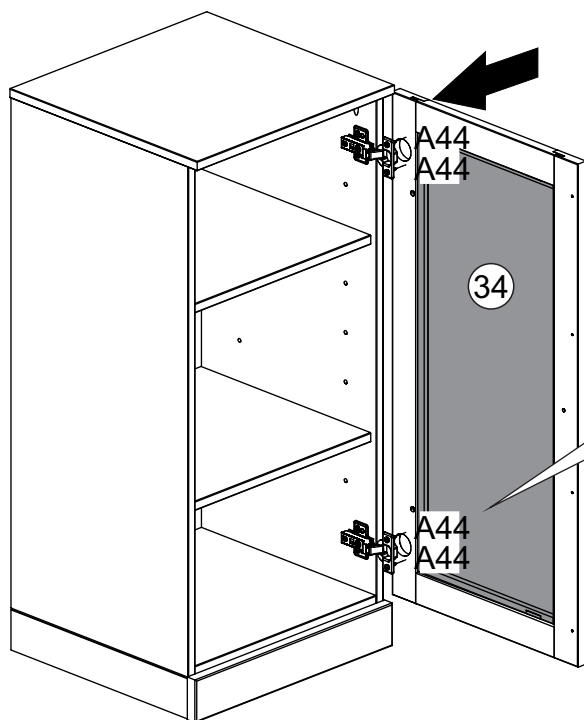
A44



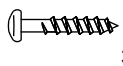
3,5x14

04

### 03) Installing glass door on the right



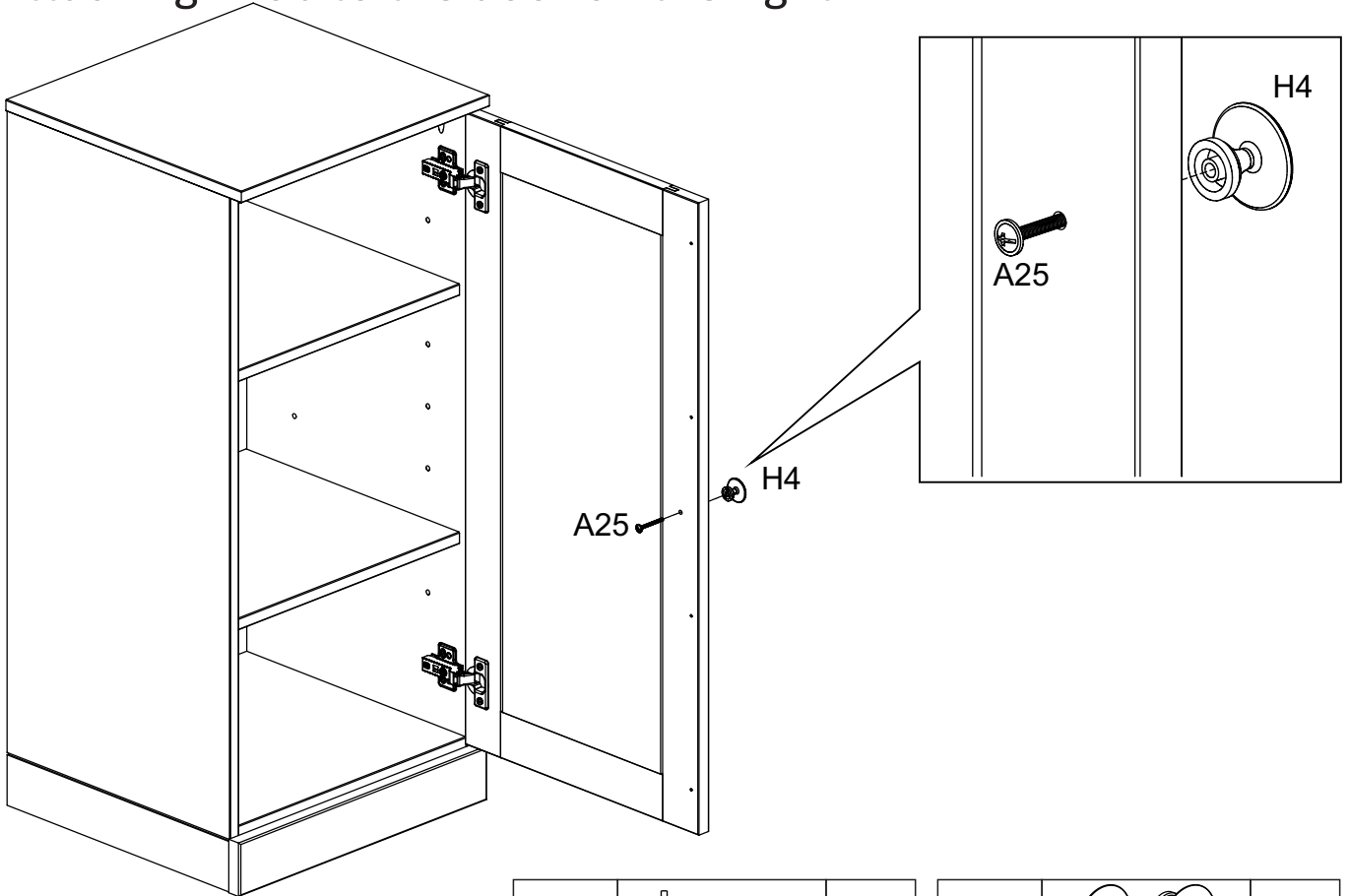
A44


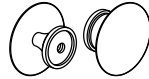


3,5x14

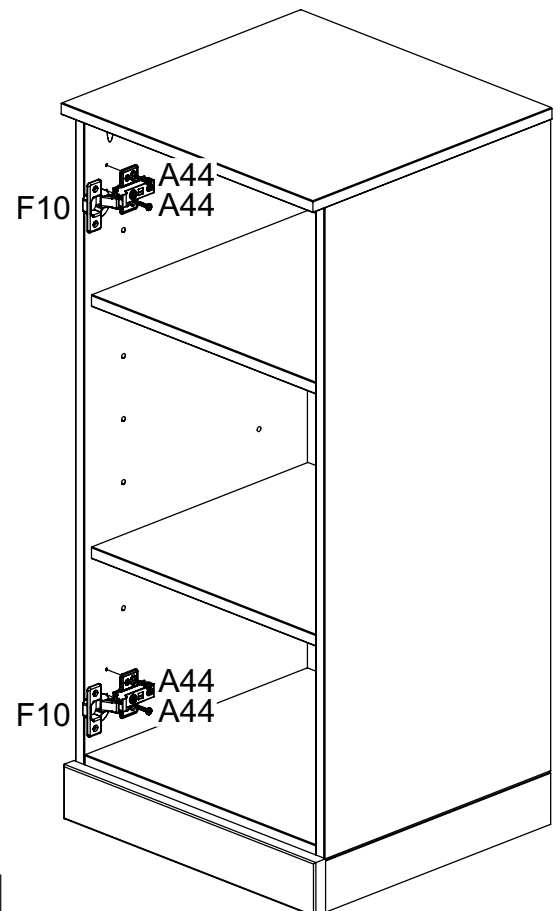
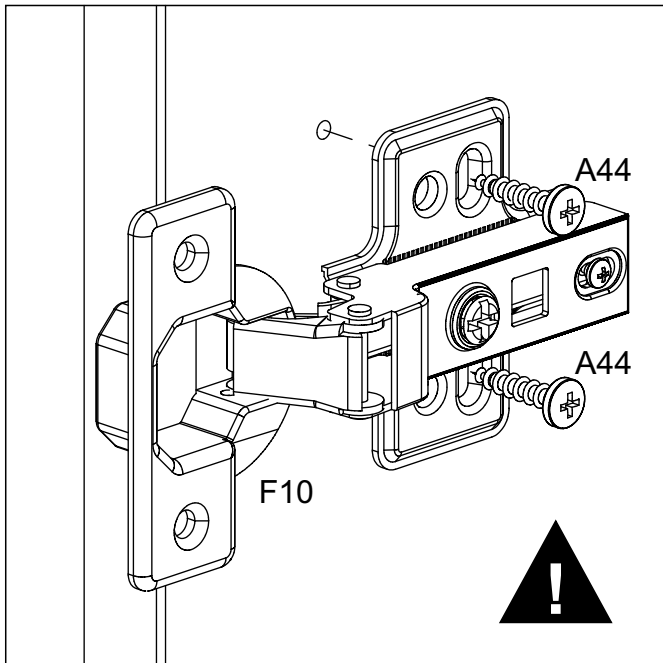
04

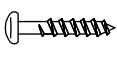
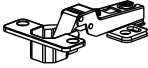
## 04) Attaching knob to the door on the right



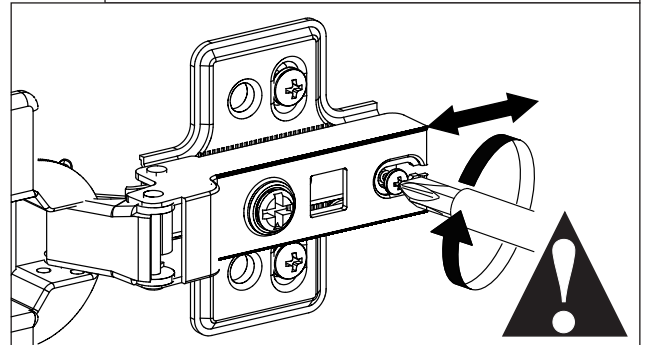
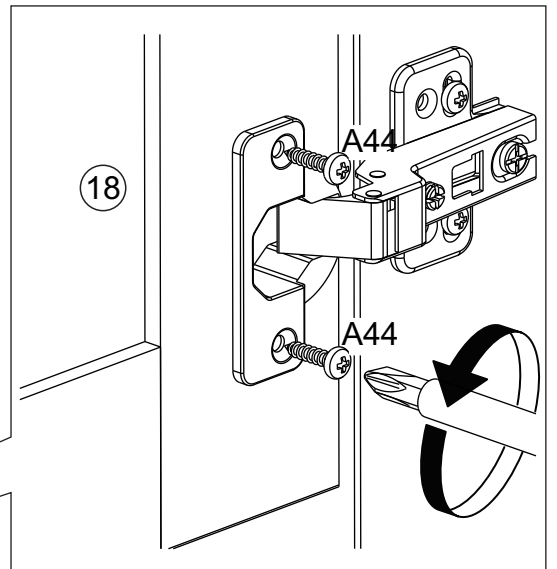
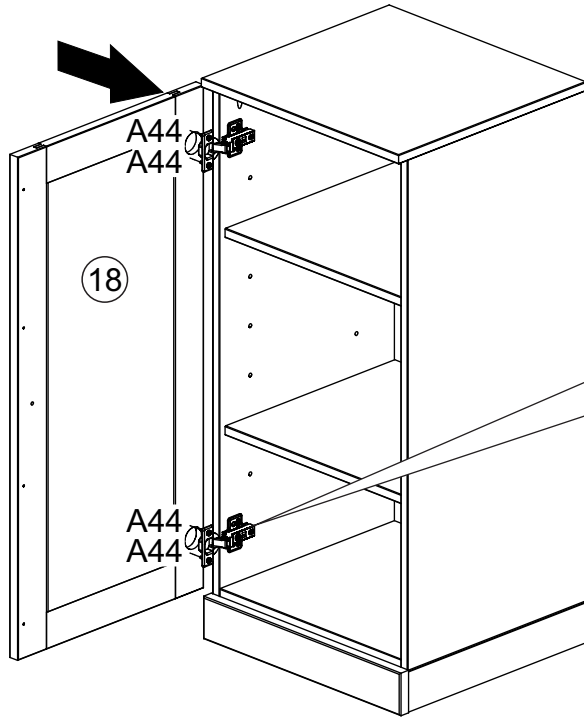
A25	 M4x25	01	H4		01
-----	---	----	----	---	----

## 02) Hinge installation for the door on the left



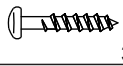
A44	 3,5x14	04	F10		02
-----	--	----	-----	---	----

### 03) Installing raised panel door on the left



It might be necessary to adjust the hinges (F10) first before installing the door

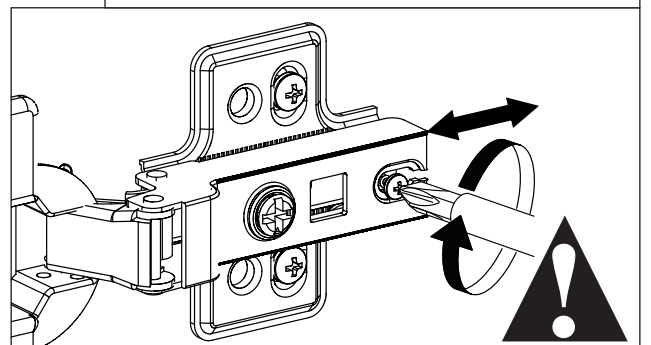
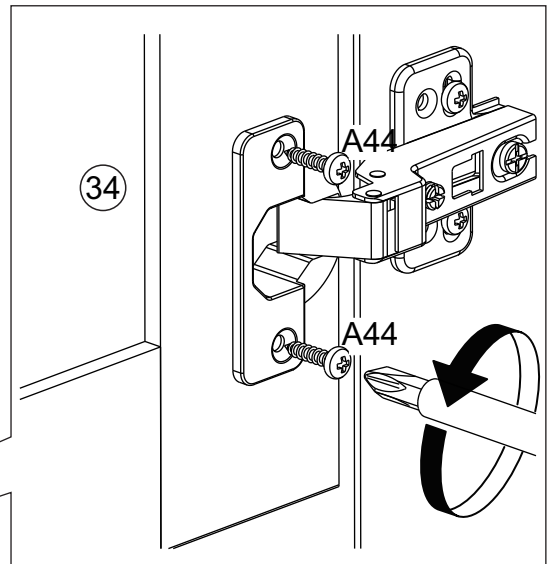
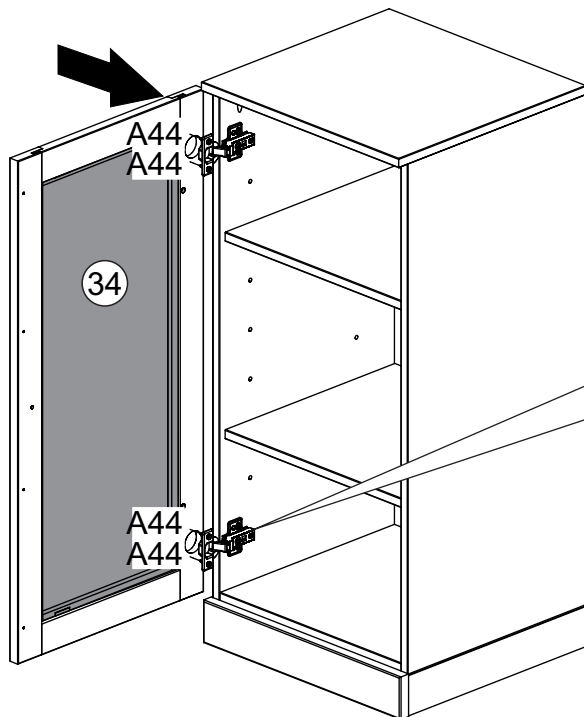
A44



3,5x14

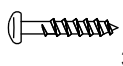
04

### 03) Installing glass door on the left



It might be necessary to adjust the hinges (F10) first before installing the door

A44

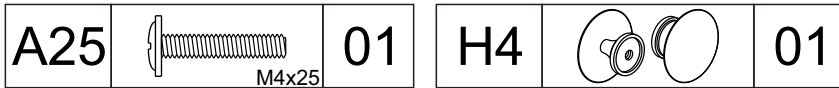
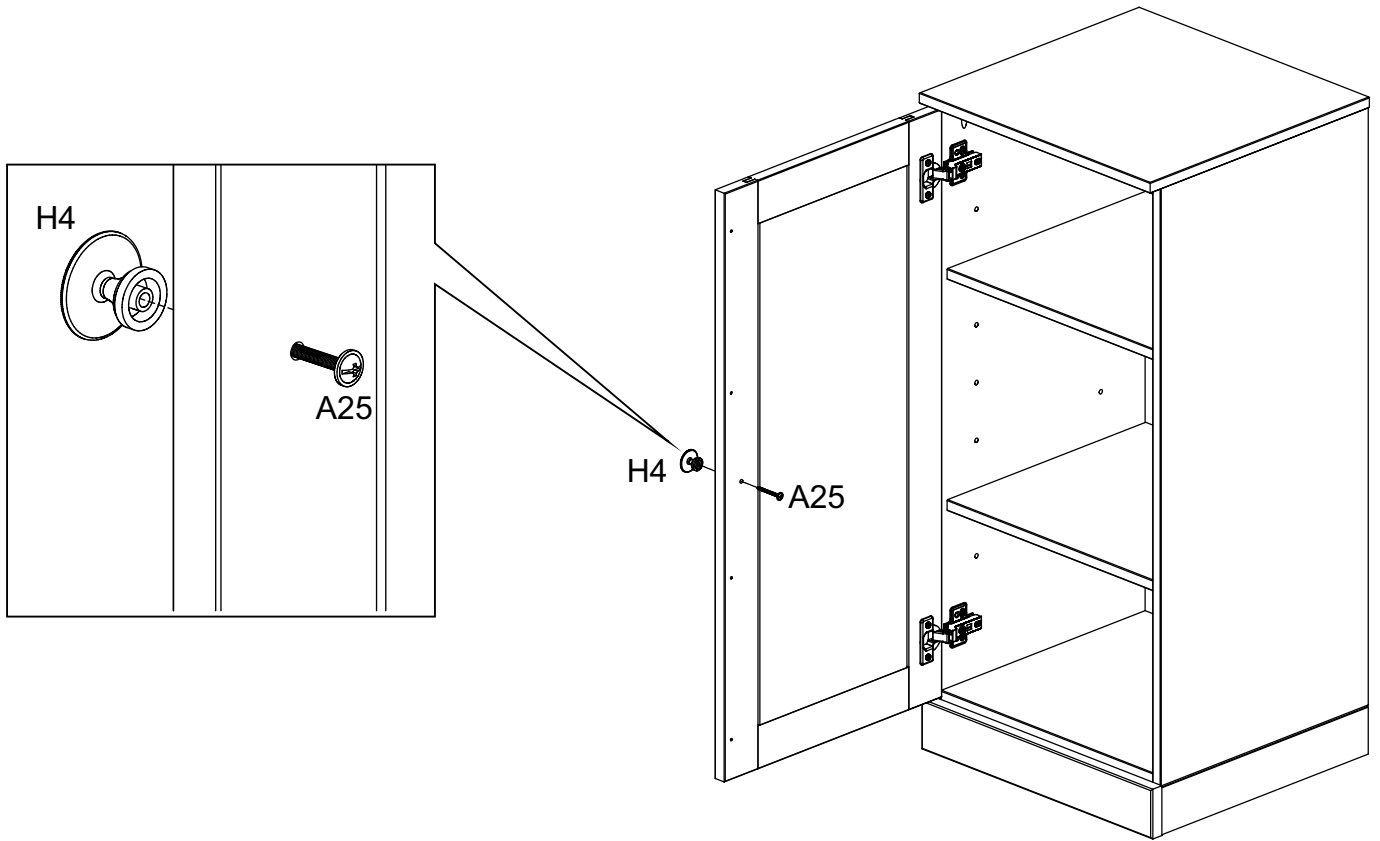


3,5x14

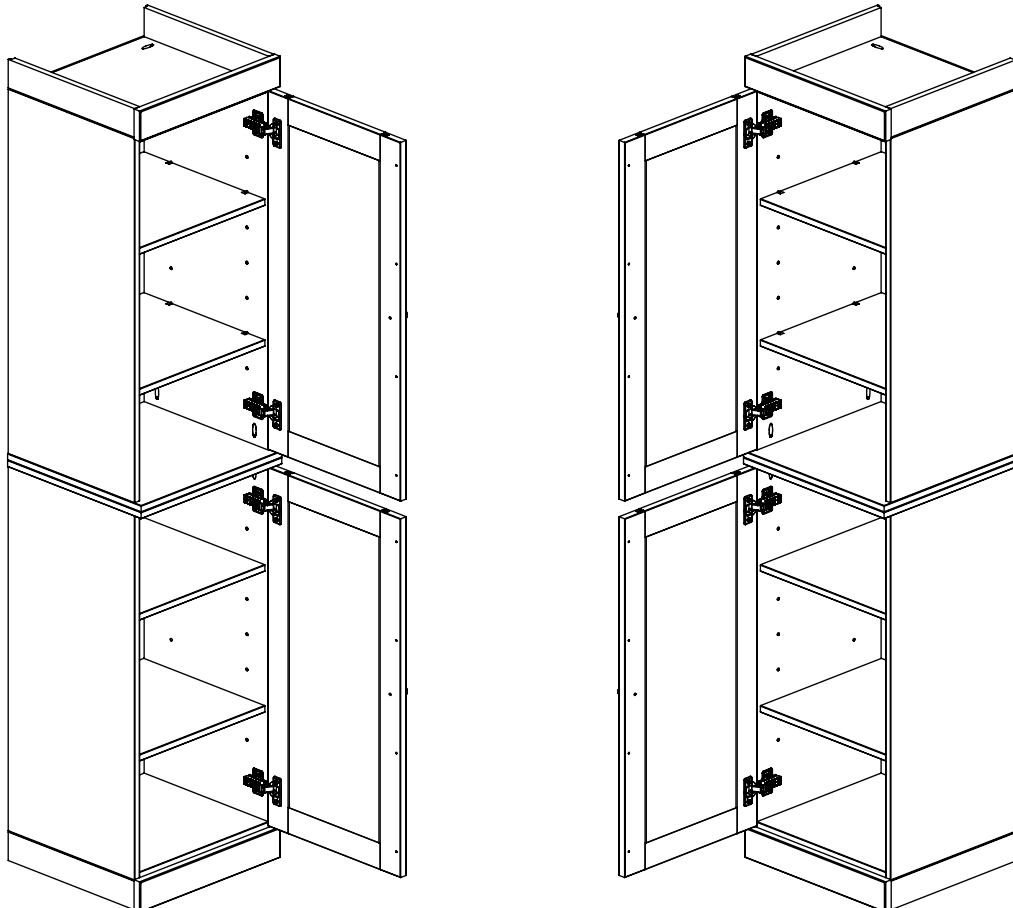
04



## 04) Attaching knob to the door on the left



## 05) Top and bottom doors installation (2 cabinets must be purchased)



Doors installed on the right

Doors installed on the left

06)

# HINGE ADJUSTMENT GUIDE

(Please save for future reference)

