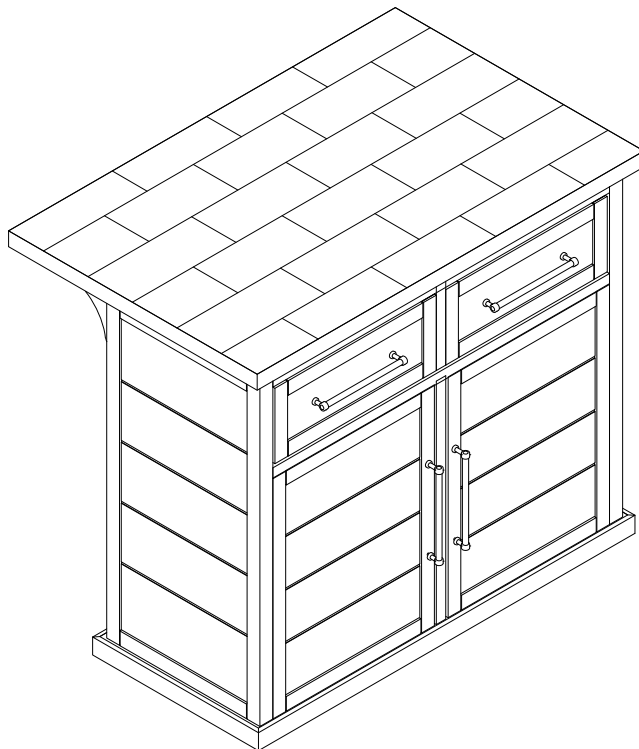


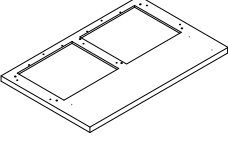
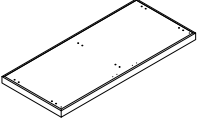
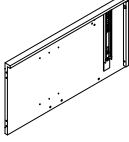
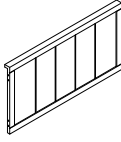
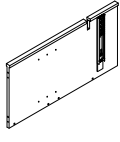
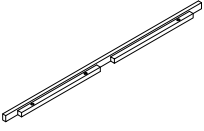
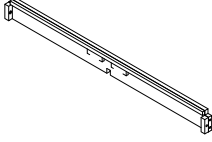
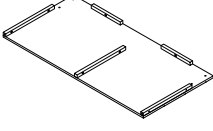
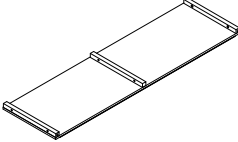
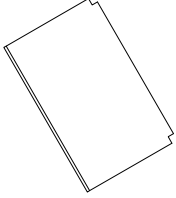
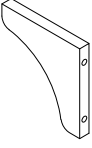
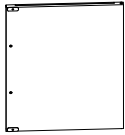
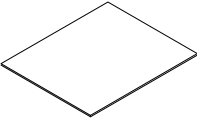
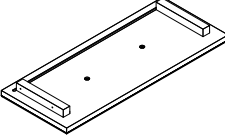
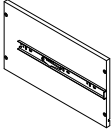
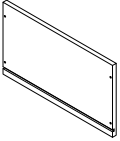
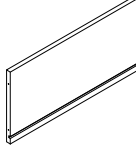
CROSLLEY

FURNITURE

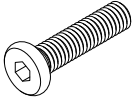
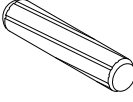

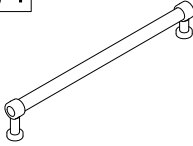

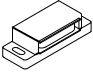

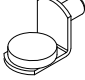
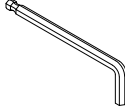
Wood Top Kitchen Island CF3043



PART LIST

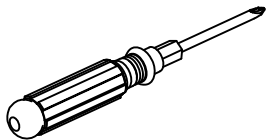
<p>A</p> 	<p>B</p> 	<p>C</p> 	<p>D</p> 	<p>E</p> 
<p>Top Panel 1 PC</p>	<p>Bottom Panel 1 PC</p>	<p>Left Panel 1 PC</p>	<p>Right Panel 1 PC</p>	<p>Partition Panel 1 PC</p>
<p>F</p> 	<p>G</p> 	<p>H</p> 	<p>I</p> 	<p>J</p> 
<p>Top Rail 1 PC</p>	<p>Upper Rail 1 PC</p>	<p>Upper Back Panel 1 PC</p>	<p>Lower Back Panel 1 PC</p>	<p>Adjustable Shelf 2 PCS</p>
<p>K</p> 	<p>L</p> 	<p>M</p> 	<p>N</p> 	<p>O</p> 
<p>Support Panel 2 PCS</p>	<p>Door 2 PCS</p>	<p>Drawer Bottom Panel 2 PCS</p>	<p>Drawer Front Panel 2 PCS</p>	<p>Drawer Left Panel 2 PCS</p>
<p>P</p> 	<p>Q</p> 			
<p>Drawer Right Panel 2 PCS</p>	<p>Drawer Back Panel 2 PCS</p>			

HARDWARE LIST

<p>#1</p>  <p>Ø1/4"x22mm</p>	<p>#2</p>  <p>Ø8*30mm</p>	<p>#3</p>  <p>Ø4x25mm</p>	<p>#4</p>  <p>L230mm</p>	<p>#5</p>  <p>Ø4*18mm</p>
<p>Bolt 36 PCS (Extra 1)</p>	<p>Wood Dowel 20 PCS (Extra 1)</p>	<p>Long Screw 16 PCS (Extra1)</p>	<p>Handle 4 PCS</p>	<p>Round Head Bolt 8 PCS (Extra 1)</p>
<p>#6</p> 	<p>#7</p>  <p>Ø3x16mm</p>	<p>#8</p> 	<p>#9</p> 	
<p>Magnet 4 PCS</p>	<p>Short Screw 8 PCS (Extra 1)</p>	<p>Shelf Holder 8 PCS (Extra 1)</p>	<p>Allen Wrench 1 PC</p>	

ADDITIONAL TOOLS (Not Provided)

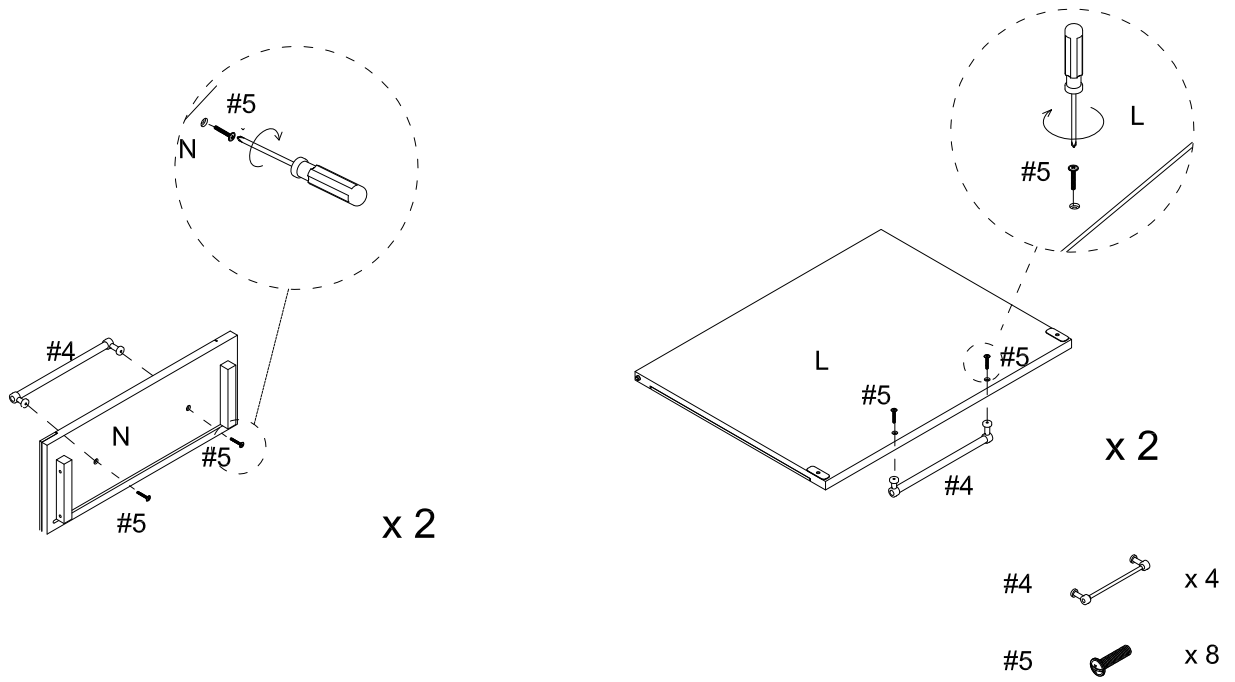
Note: It is not recommended to use power tools during assembly.



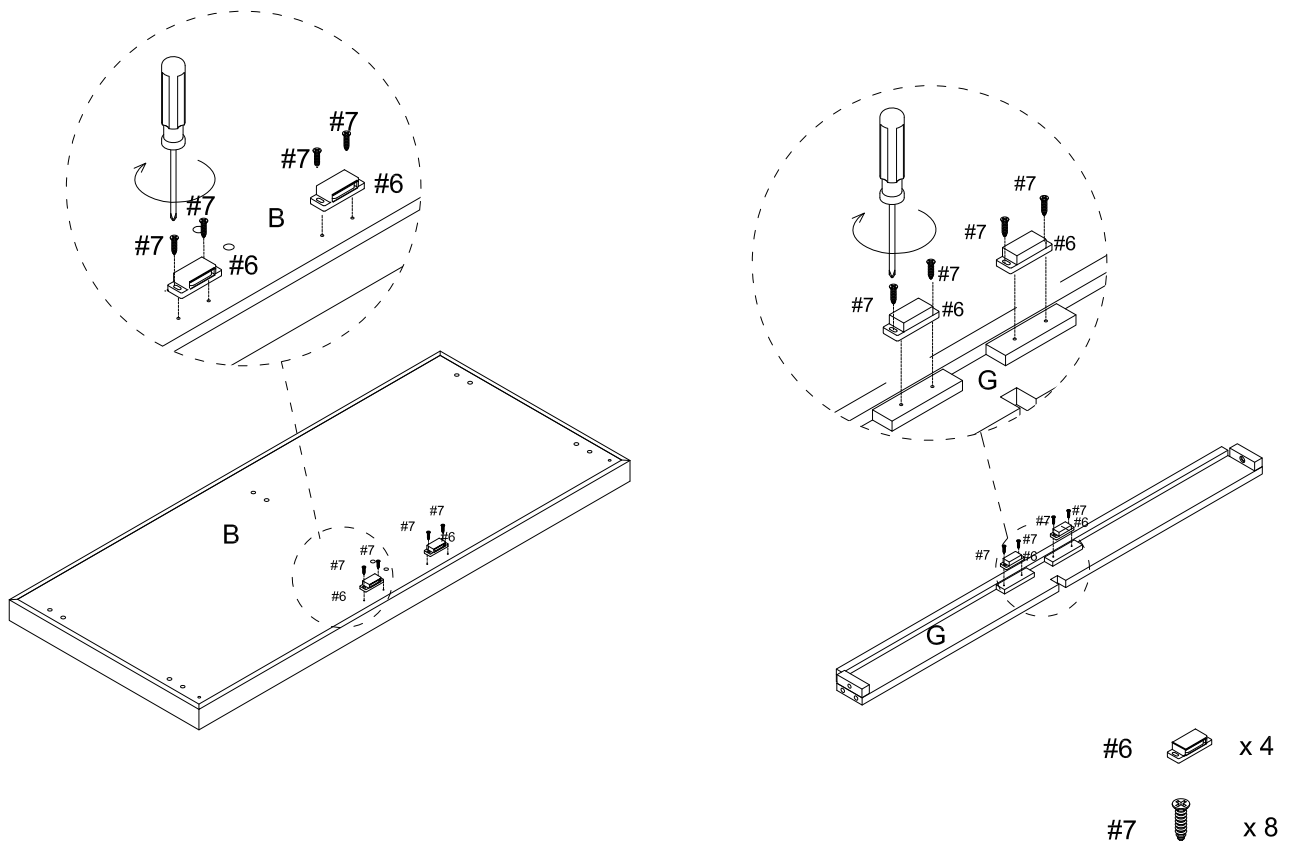
Phillips Head Screwdriver

Note: Wood dowels are intended for alignment. Additional clearance between wood dowel and pre-drilled hole is intentional for ease of assembly.

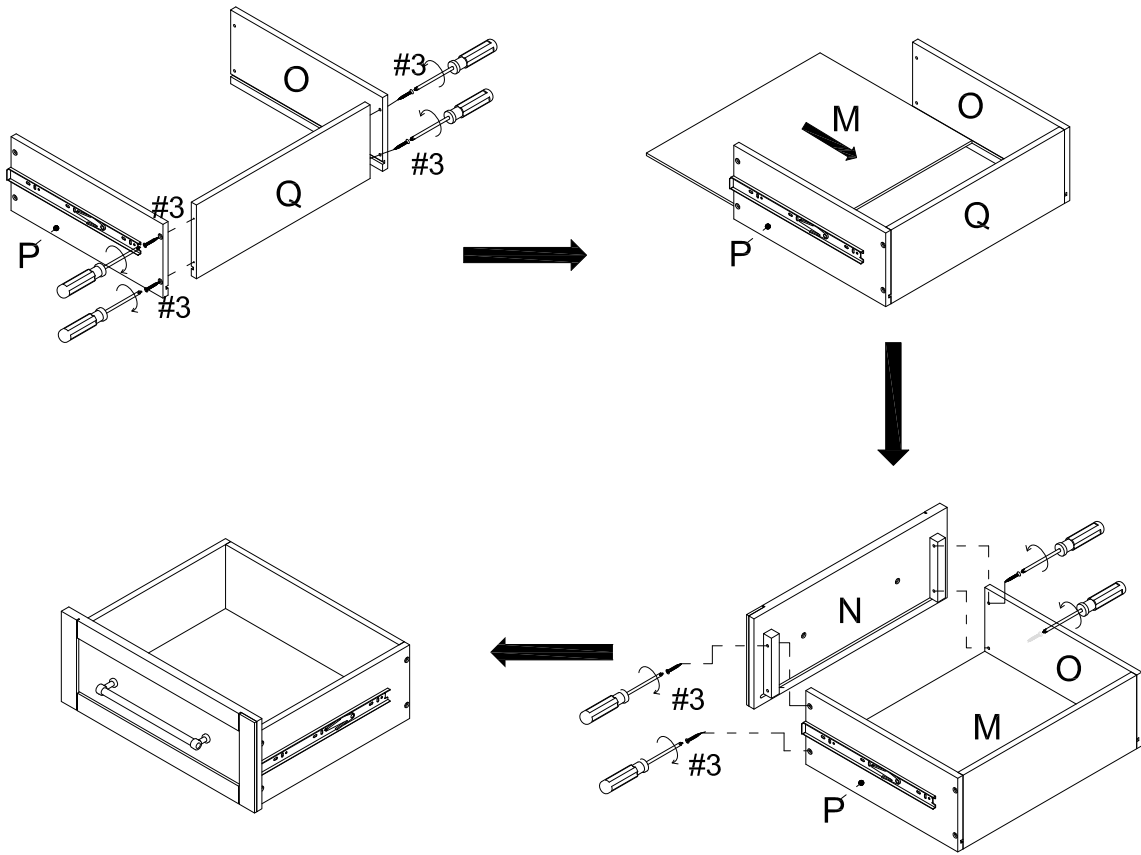
Step 1. Attach handles (part #4) to doors (part L) and drawer front panels (part N) using round head bolts (part #5) and phillips head screwdriver.



Step 2. Attach magnets (part #6) to bottom panel (part B) and upper rail (part G) using short screws (part #7) and phillips head screwdriver.

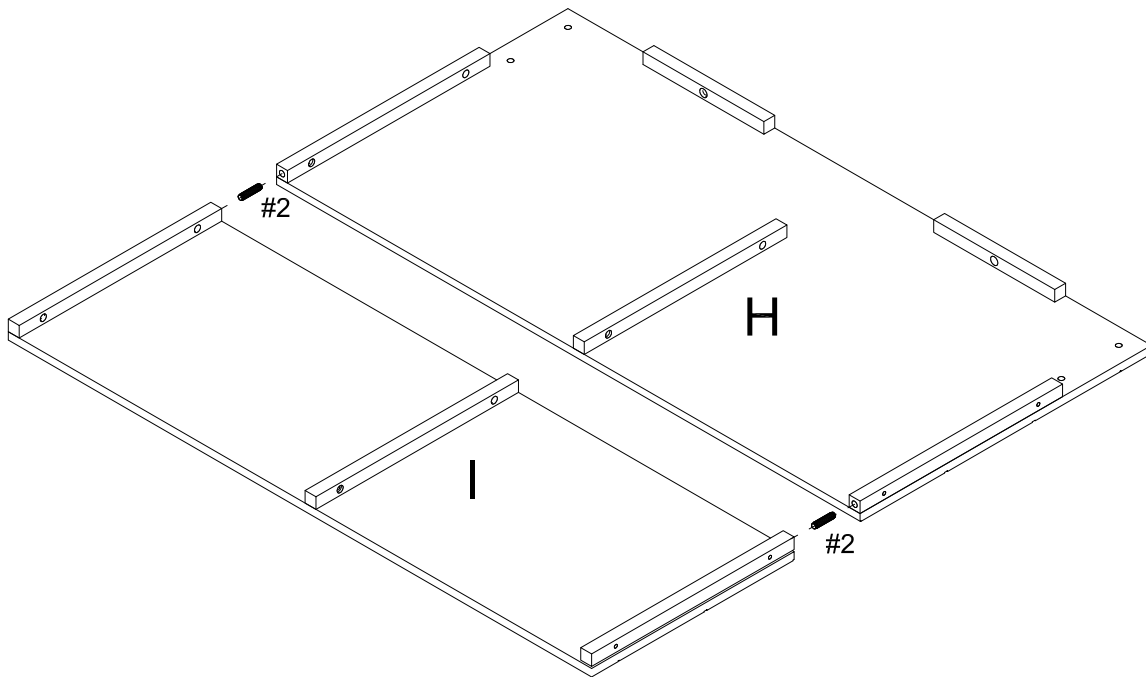


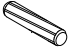
Step 3. Attach drawer panels (parts O & P) to drawer back panel (part Q) using long screws (part #3) and phillips head screwdriver. Slide drawer bottom panel (part M) to assembled unit (parts O, P & Q). Attach drawer front panel (part N) to assembled unit (parts M, O & P) using long screws (part #3) and phillips head screwdriver. Repeat for remaining drawer.



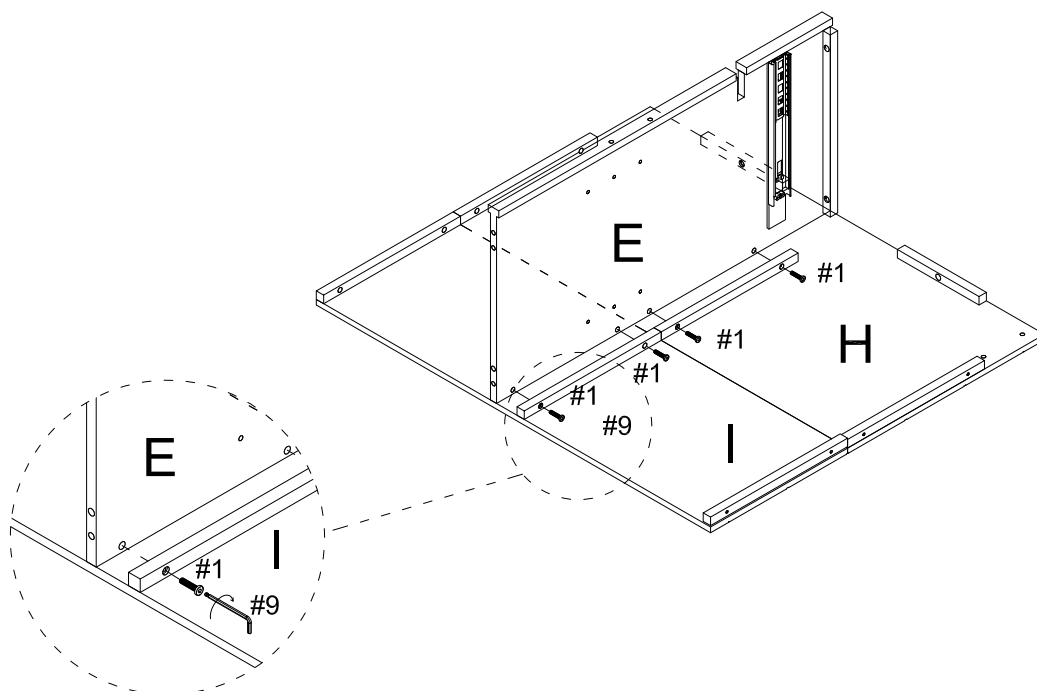
#3  x 16

Step 4. Attach upper back panel (part H) to lower back panel (part I) using wood dowels (part #2).




#2  x 2

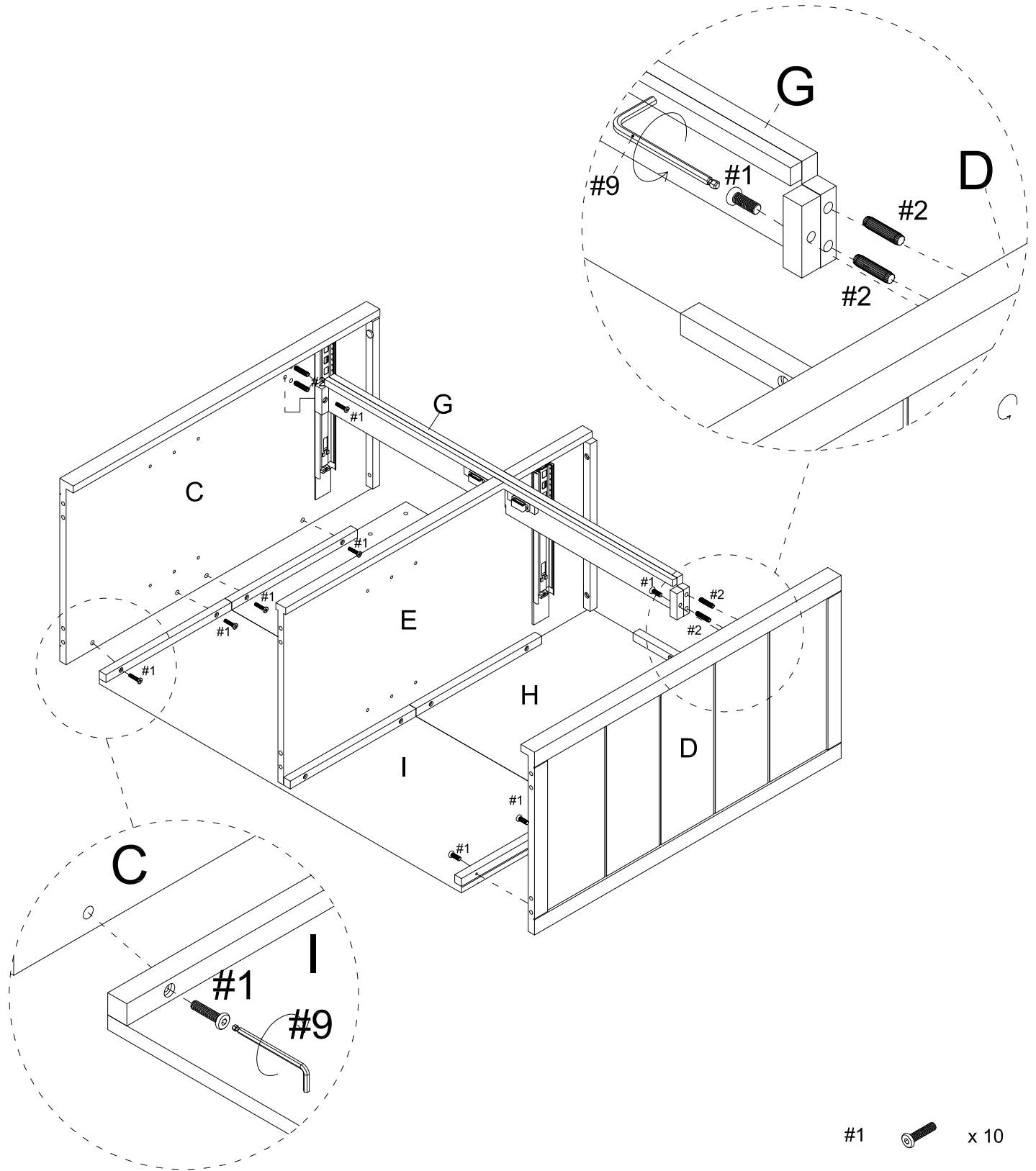
Step 5. Attach partition panel (part E) to assembled unit (parts H & I) using bolts (part #1) and allen wrench (part #9).






#1  x 4

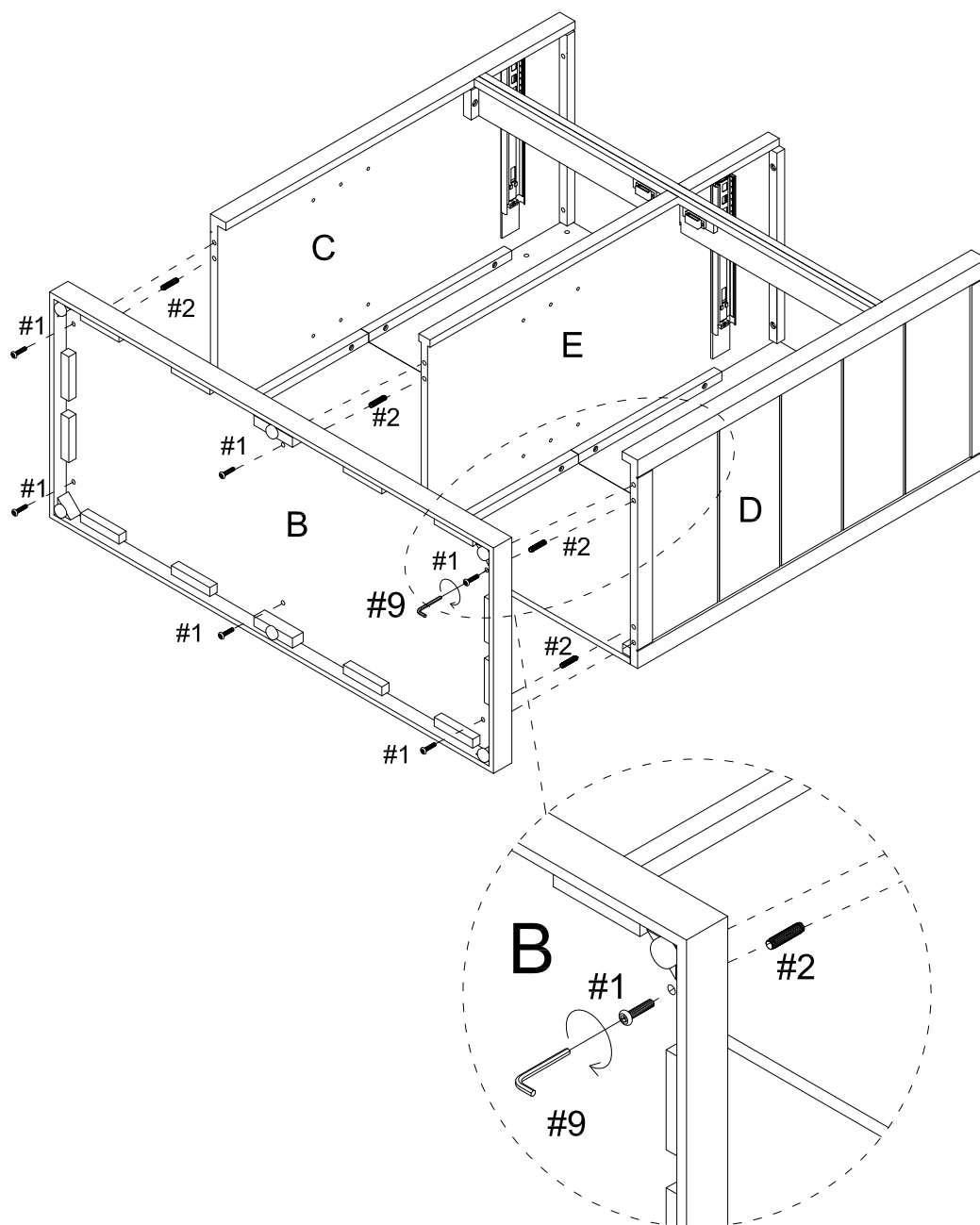
#9  x 1




Step 6. Attach upper rail (part G) and panels (parts C & D) to assembled unit (parts E, H & I) using bolts (part #1), wood dowels (part #2) and allen wrench (part #9).



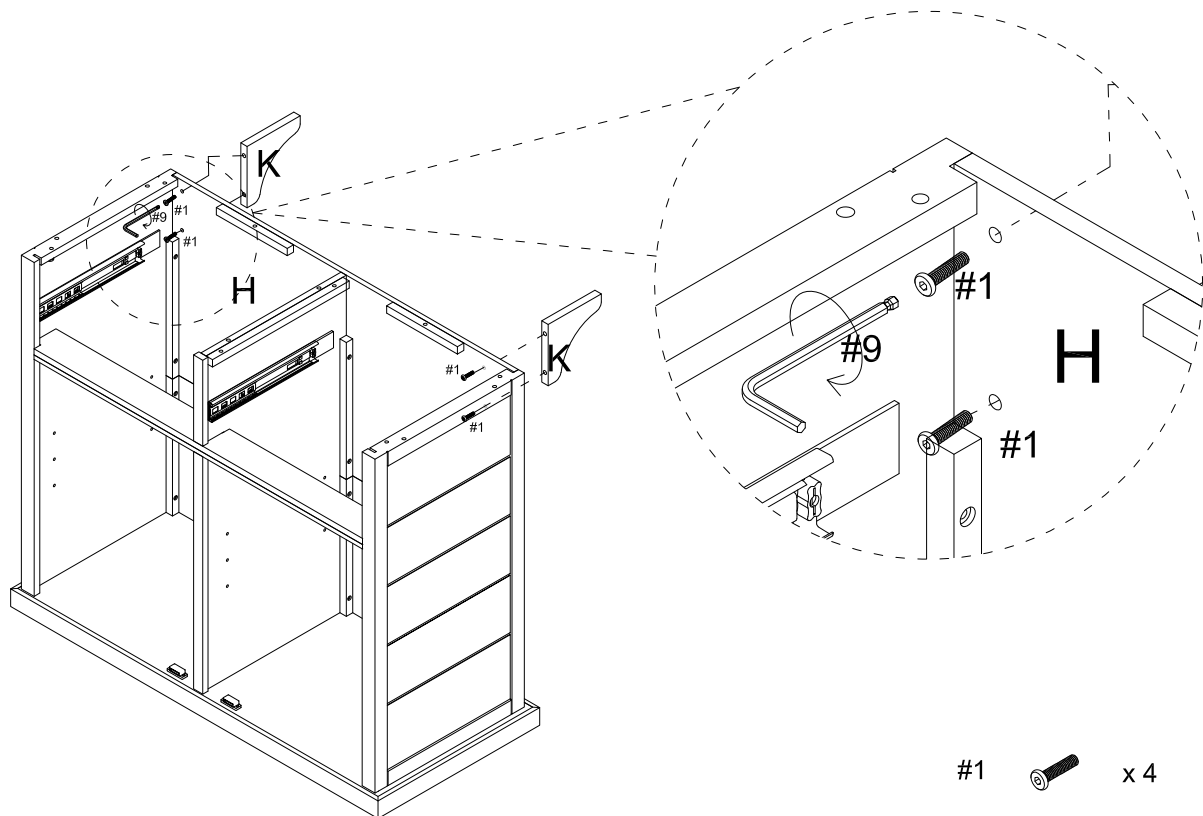
- | | | |
|----|---|------|
| #1 |  | x 10 |
| #2 |  | x 4 |
| #9 |  | x 1 |

Step 7. Attach bottom panel (part B) to assembled unit (parts C, D & E) using bolts (part #1), wood dowels (part #2) and allen wrench (part #9).



- #1  x 6
- #2  x 6
- #9  x 1

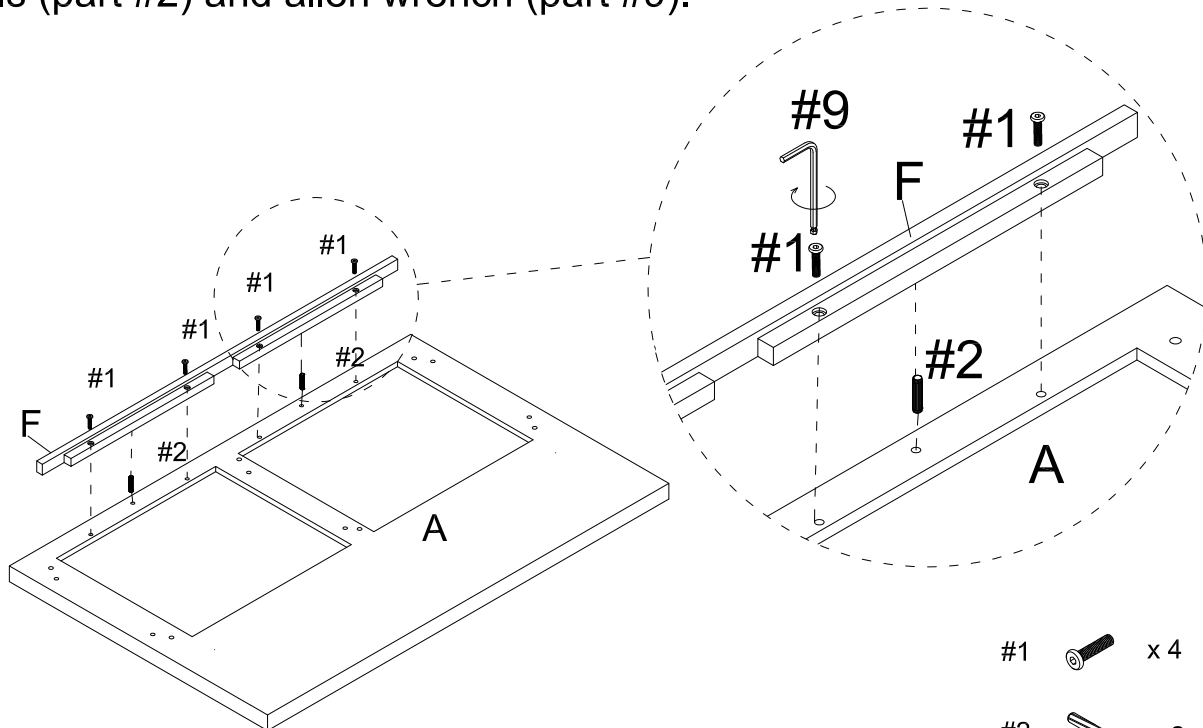
Step 8. Carefully turn the unit upright. Attach support panels (part K) to upper back panel (part H) using bolts (part #1) and allen wrench (part #9).



#1  x 4

#9  x 1

Step 9. Attach top rail (part F) to top panel (part A) using bolts (part #1), wood dowels (part #2) and allen wrench (part #9).

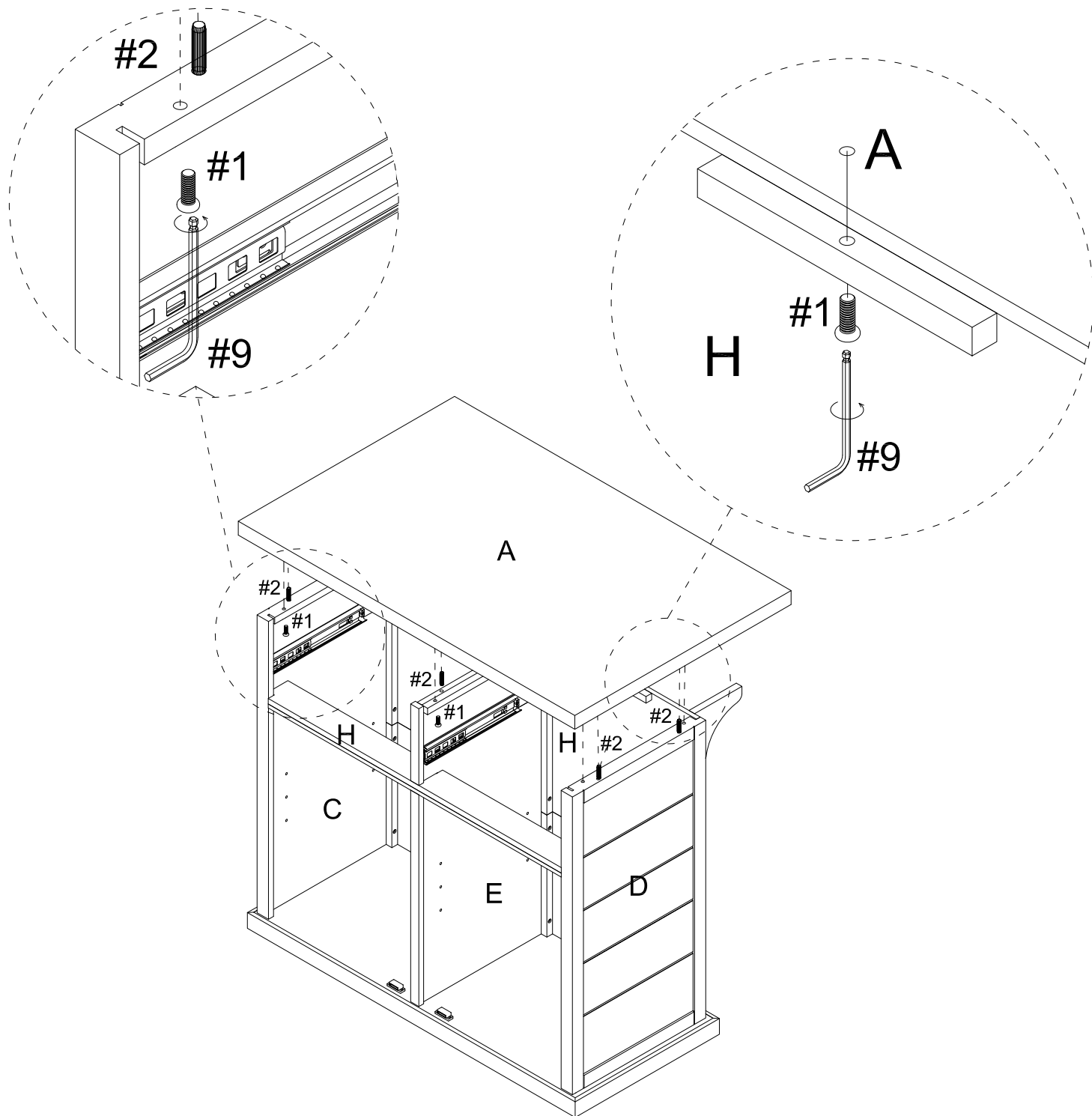





#1  x 4

#2  x 2

#9  x 1

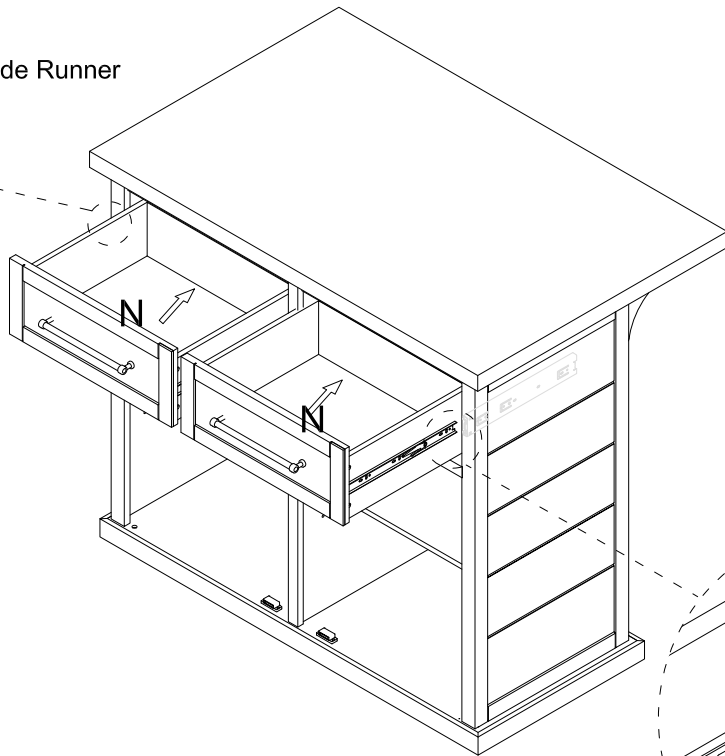
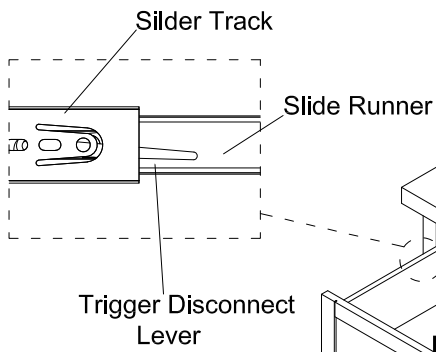
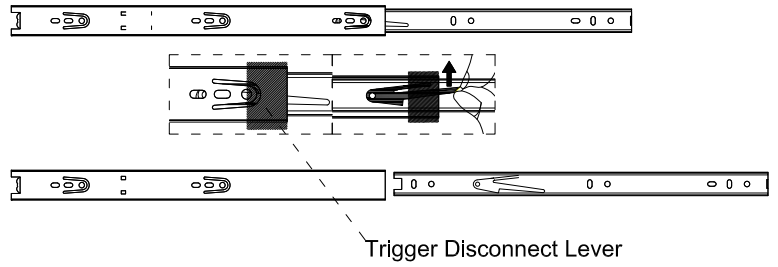
Step 10. Attach top panel (part A) to assembled unit (parts C, D, E & H) using bolts (part #1), wood dowels (part #2) and allen wrench (part #9).



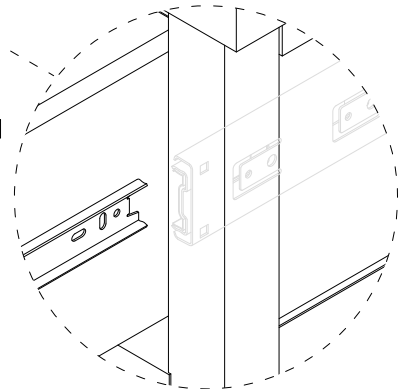
- #1  x 8
- #2  x 6
- #9  x 1

Step 11. Slide assembled drawers into place.

Note: To release trigger disconnect levers push one side up and the other down.

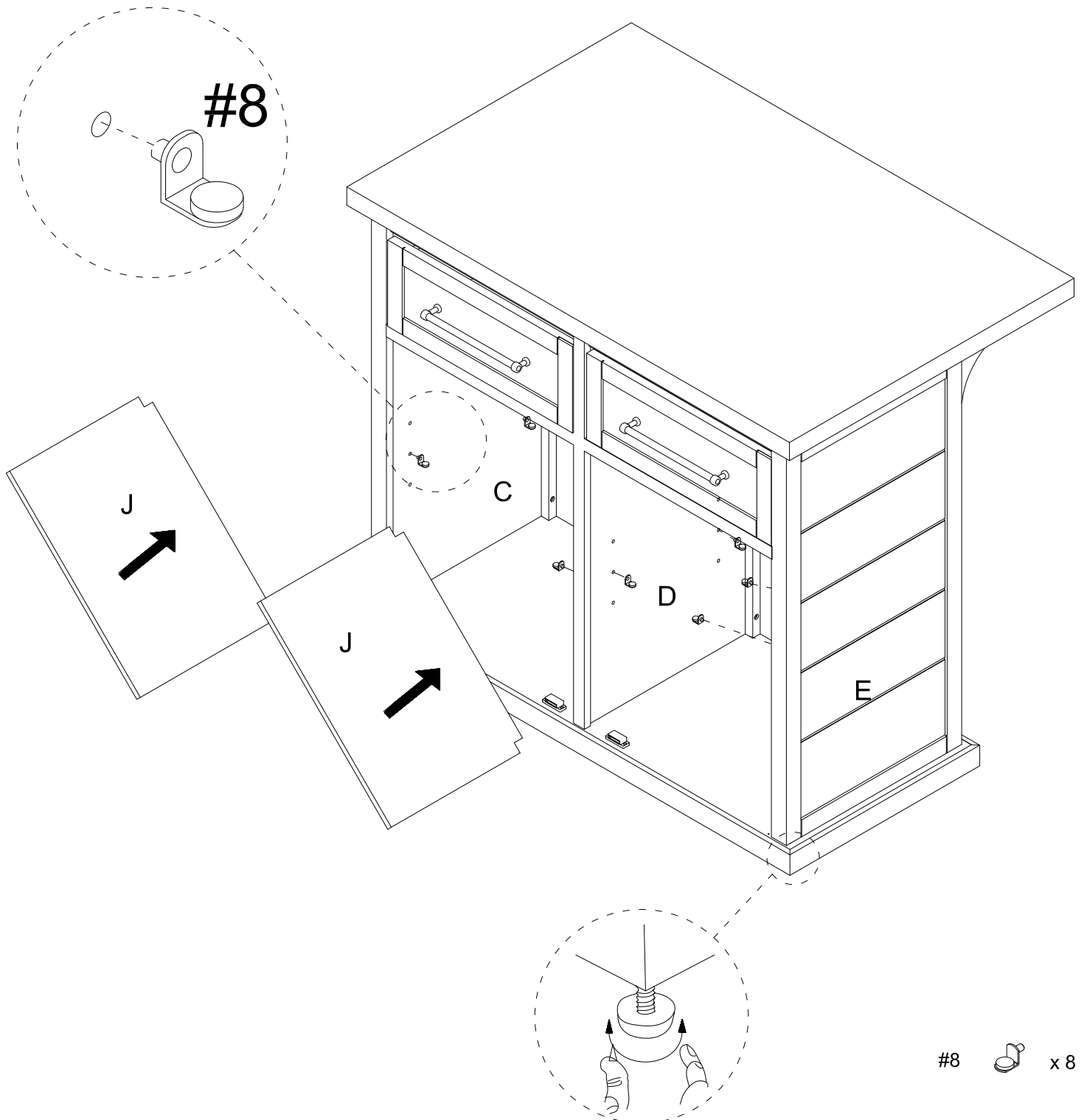


Move the sliders to the front end of rail before sliding the drawer into place.



Step 12. Place shelf holders (part #8) into desired position and slide adjustable shelves (part J) into place.

Note: It is important to adjust levelers once fully assembled and upright. Extend adjustable leveler until it's firmly in contact with the floor. If relocating, adjust leveler as needed until it's firmly in contact with the floor in new location.



Step 13. Attach doors (part L) by placing bottom pin hinge (pre-installed in door) in the pre-drilled hole of bottom panel (part B). Then depress the top spring-loaded pin hinge so it can be placed in the pre-drilled hole of upper rail (part G).

Note: Be sure top and bottom pin hinges are fully extended to secure door in place.

