

ASSEMBLY INSTRUCTIONS



CAUTION

◆ Inspect the wire insulation for any cuts, abrasions, or exposed copper that may have resulted during shipping. If there is a defect in the wire, do not attempt installation.

◆ Before starting installation of this fixture or removal of a previous fixture, disconnect the power by turning off the circuit breaker or by removing the fuse at the fuse box.

TOOLS REQUIRED



Ladder



Safety glasses



Electrical tape



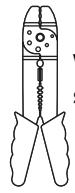
Phillips screwdriver



Flat blade screwdriver

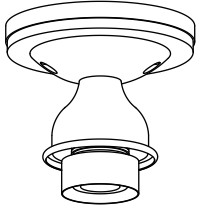


Pliers

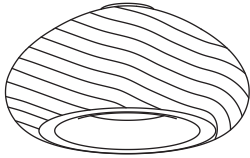


Wire strippers

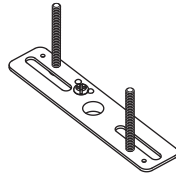
HARDWARE INCLUDED



Fixture



Glass Shade



Mounting Unit



Ball Nuts



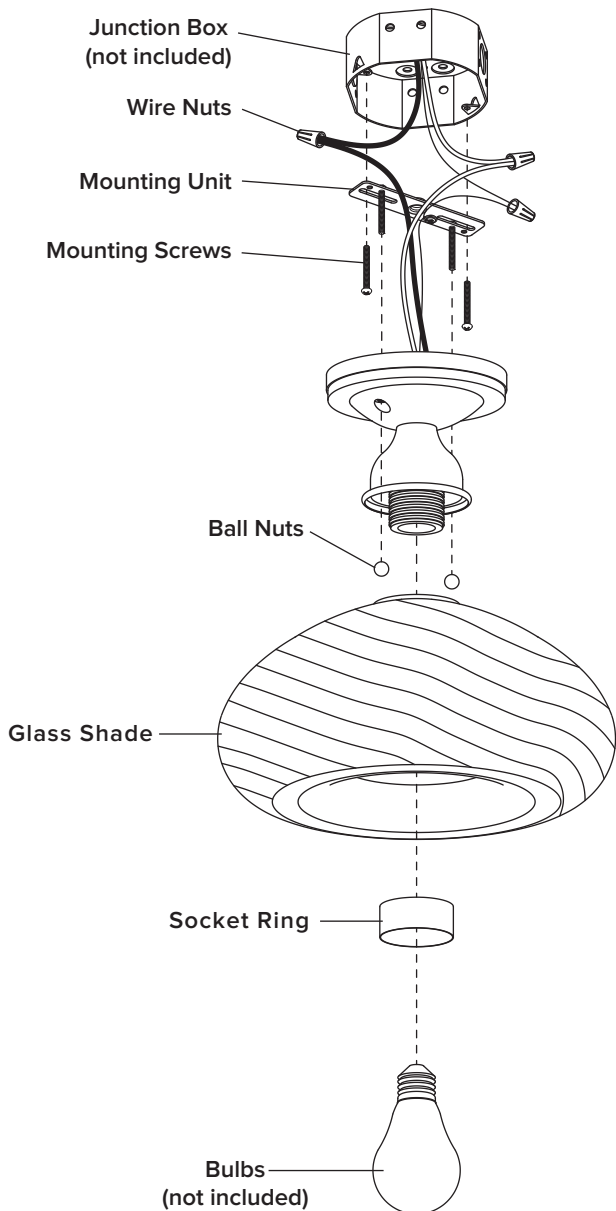
Mounting Screws



Wire Nuts

***PARTS SHOWN MAY DIFFER SLIGHTLY PER LIGHT FIXTURE**

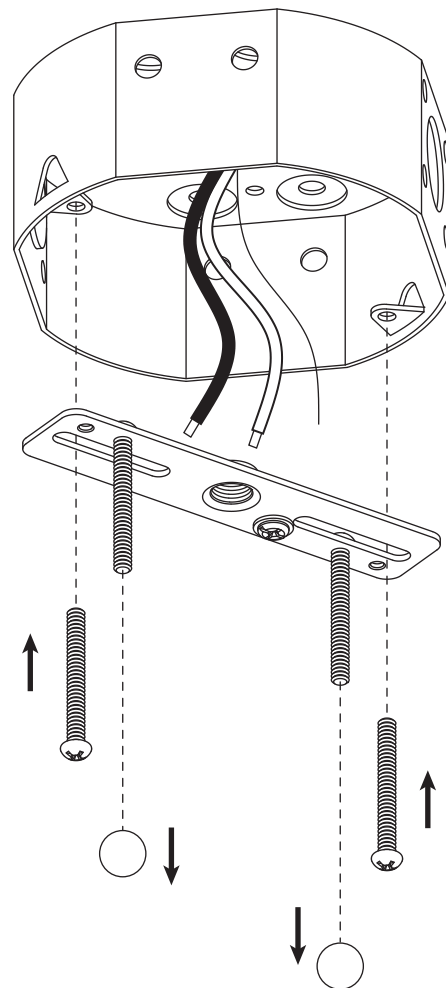
EXPLODED PARTS



INSTALLATION

STEP 1

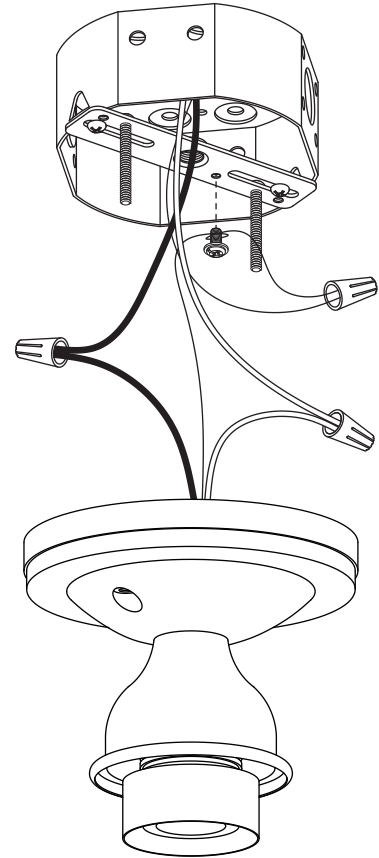
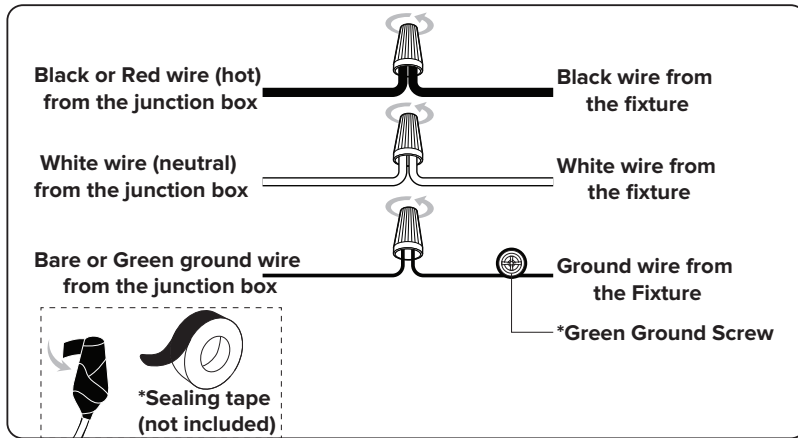
Unscrew the **ball nuts** from the **mounting unit**. Use the **mounting screws** to attach the **mounting unit** to the junction box (not included).



ASSEMBLY INSTRUCTIONS (INSTALLATION)

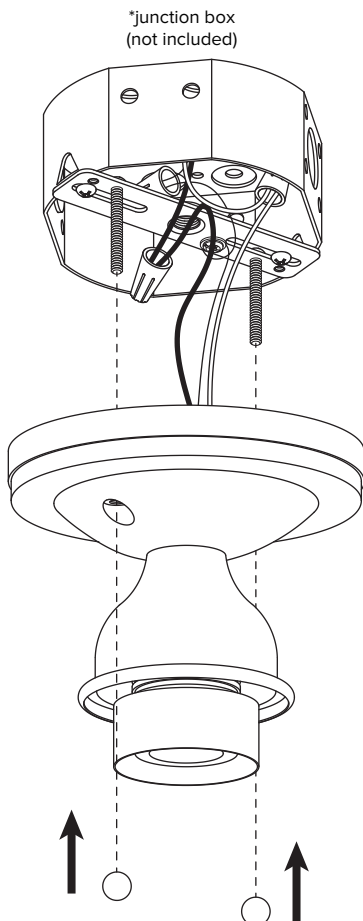
STEP 2

Make the electrical connection from the junction box (not included) to the **fixture**. Connect the ground wire to the **mounting unit** using the preinstalled green ground screw. Next, connect the positive, negative and ground wires with the supplied **wire nuts**. Secure with electrical tape.



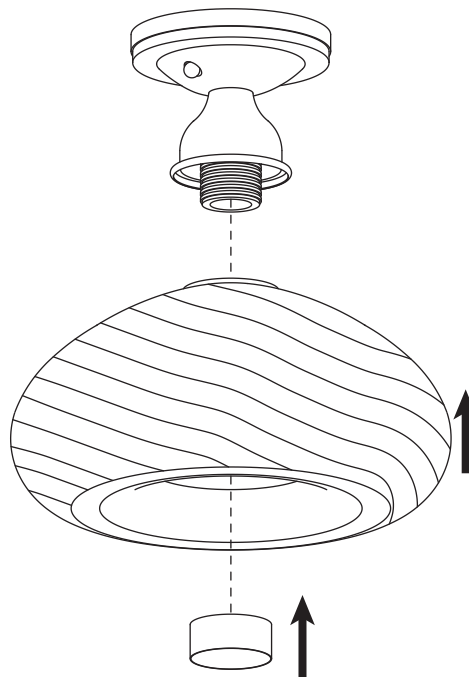
STEP 3

Attach the **fixture** to the **mounting unit** through screws holes as shown, and secure it with **ball nuts**.



STEP 4

Remove the **socket ring** from the socket. Attach the **Glass Shade** onto **fixture** using **socket ring**.



STEP 5

Install bulbs (not included)

