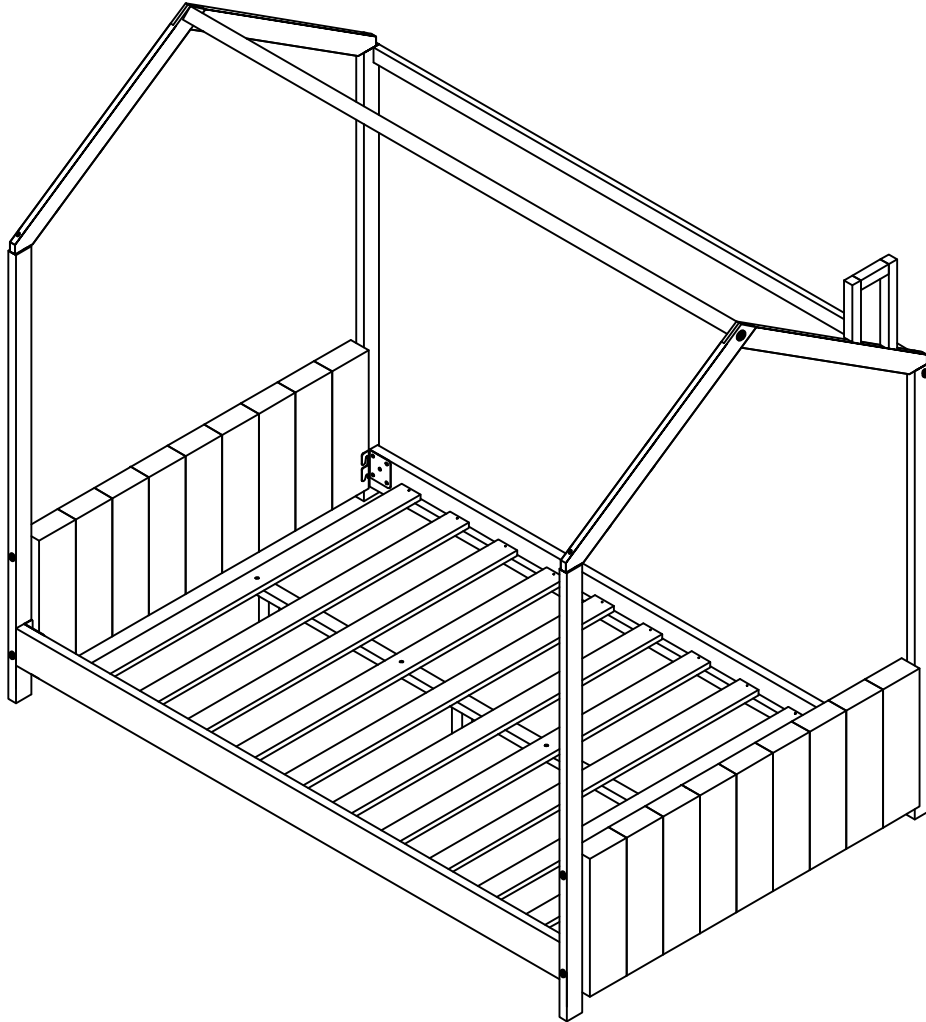


ASSEMBLY INSTRUCTION

WF298838/WF298839



IMPORTANT NOTE

****PLACE ALL PARTS ON A CLEAN AND SMOOTH SURFACE SUCH AS A RUG OR CARPET TO AVOID THE PARTS FROM BEING SCRATCHED**

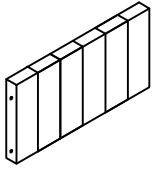


**** BEFORE YOU BEGIN , KINDY FOLLOW THE ASSEMBLY INSTRUCTIONS STEP BY STEP**

****DO NOT TIGHTEN ALL SCREWS AND BOLTS UNTIL THE BED IS FULLY SET-UP**

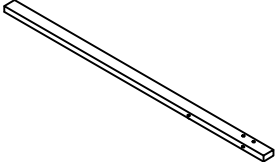
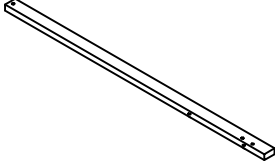
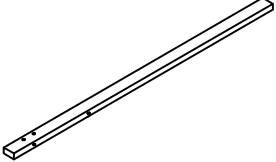
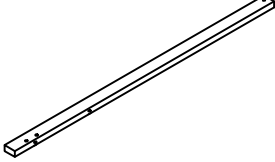
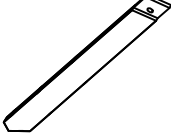

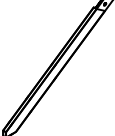
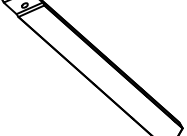
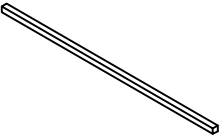
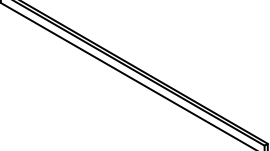
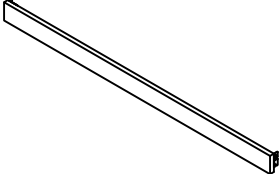
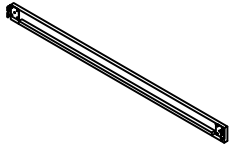
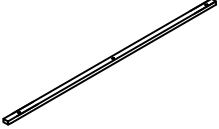
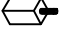
ASSEMBLY INSTRUCTION

WF298838/WF298839

PART LIST BOX 1: WF298838

<p>1</p>  <p>Headboard/Footboard (2 pcs)</p>	<p>2</p>  <p>U-Bar (1pc)</p>	<p>3</p>  <p>Slat Roll (10 pcs) 1365*60*15</p>
---	---	---


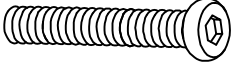
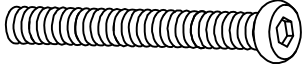
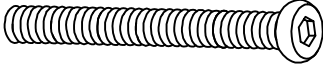

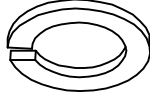

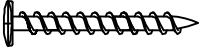
PART LIST BOX 2: WF298839

<p>4</p>  <p>Headboard Front Post (1 pc)</p>	<p>5</p>  <p>Headboard Back Post (1 pc)</p>	<p>6</p>  <p>Footboard Front Post (1 pc)</p>
<p>7</p>  <p>Footboard Back Post (1 pc)</p>	<p>8</p>  <p>House Front Left Rail(1 pc)</p>	<p>9</p>  <p>House Front Right Rail (1 pc)</p>
<p>10</p>  <p>House Back Left Rail (1 pc)</p>	<p>11</p>  <p>House Back Right Rail (1 pc)</p>	<p>12</p>  <p>House Middle Rail(1 pc)</p>
<p>13</p>  <p>House Back Rail (1 pc)</p>	<p>14</p>  <p>Front Side Rail (1 pc)</p>	<p>15</p>  <p>Back Side Rail (1 pc)</p>
<p>16</p>  <p>Center Rail (1 pc)</p>	<p>17</p>  <p>Bed Slat Support With Leveler (3 pcs)</p>	

ASSEMBLY INSTRUCTION

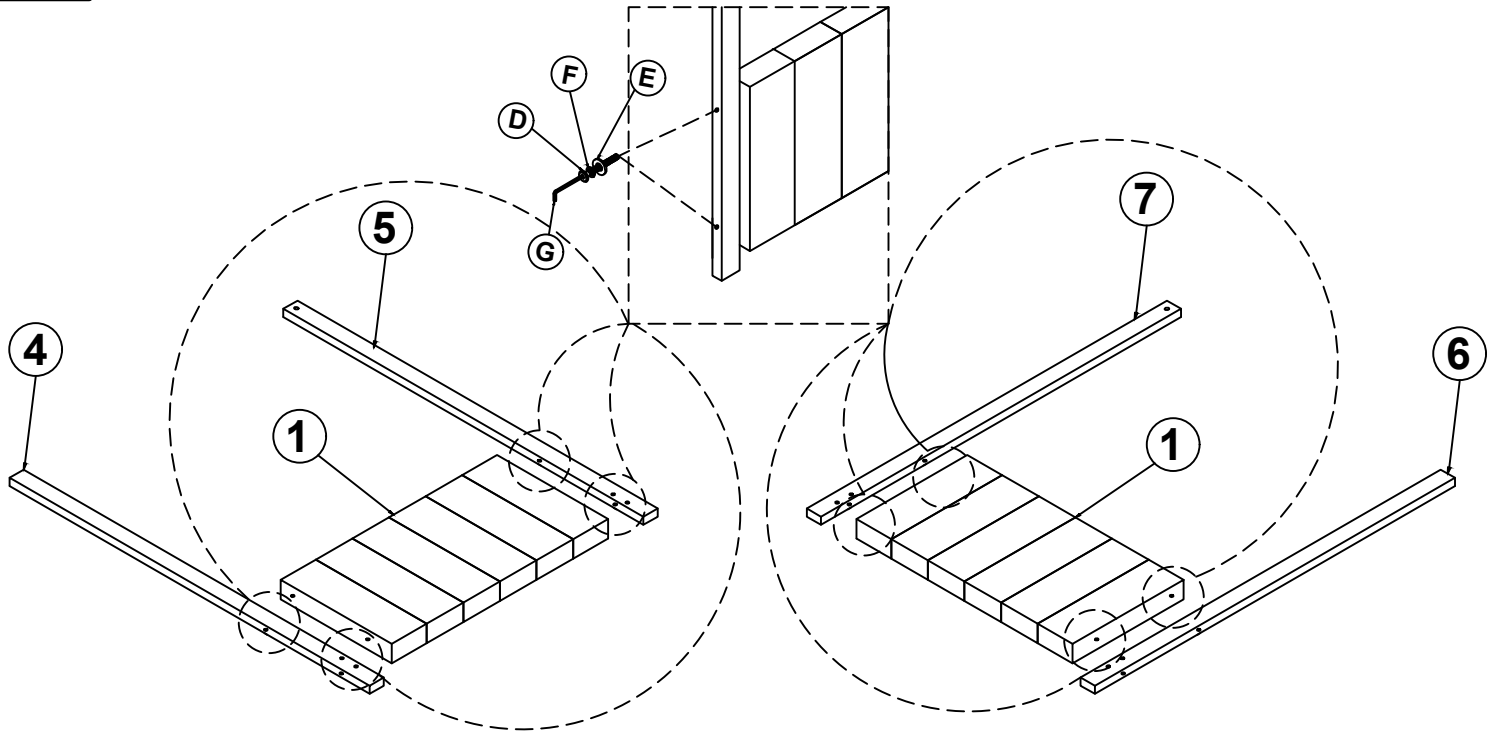
WF298838/WF298839





HARDWARE LIST IN WF 298839

A  Short Bolt (8pcs) (Ø 5/16 "X 25mm)	B  Long Bolt (8pcs) (Ø 5/16 "X 60mm)	C  Long Bolt (2pcs) (Ø 5/16 "X 80mm)
D  Long Bolt (8pcs) (Ø 5/16 "X 90mm)	E  Flat Washer (26pcs) (Ø 5/16 "-RBW)	F  Spring Washer (26pcs) (Ø 5/16 "-RBW)
G  Allen Wrench (1pc) (M4x75mmx32mm)	H  Flat Head Screw (24pcs) (M4x30mm-RBW)	

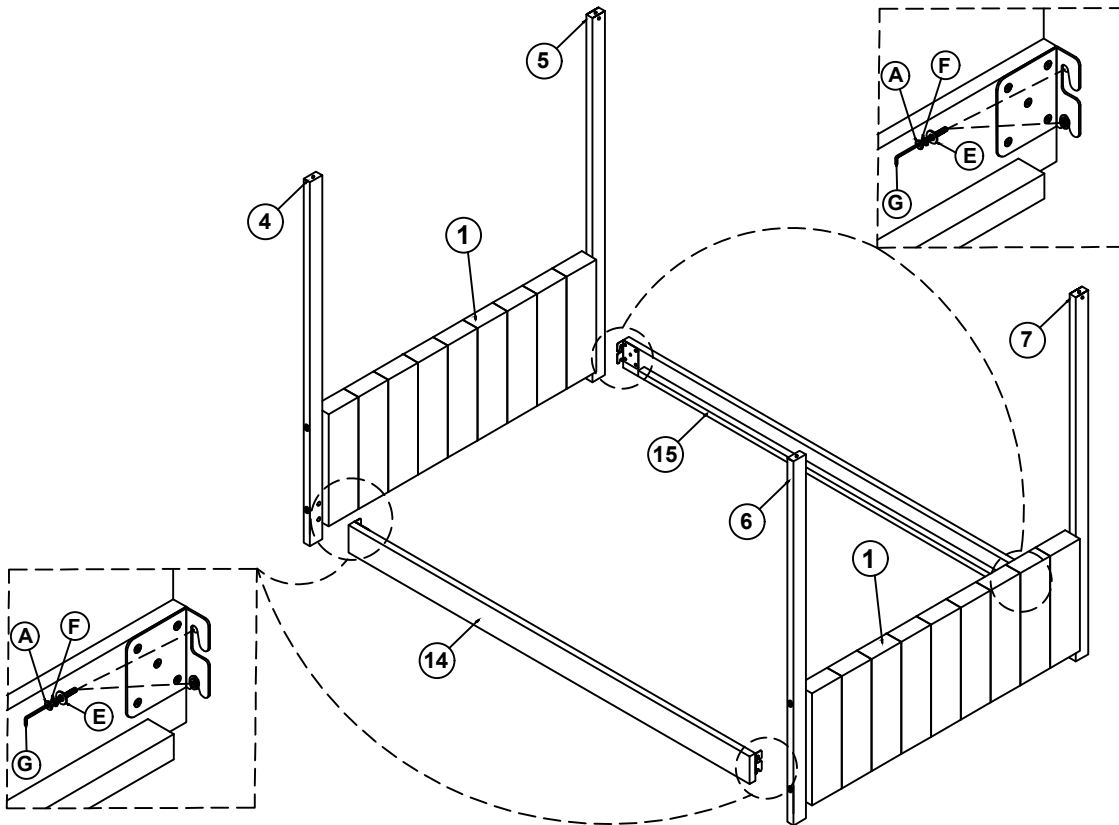
ASSEMBLY INSTRUCTION





STEP 1



D	Bolt (Ø 5/16 "X90mm)		8pcs	E	Flat Washer (Ø 5/16 "-RBW)		8pcs
F	Spring Washer (Ø 5/16 "-RBW)		8pcs	G	Allen Wrench (M4x75mm x32mm)		1pc

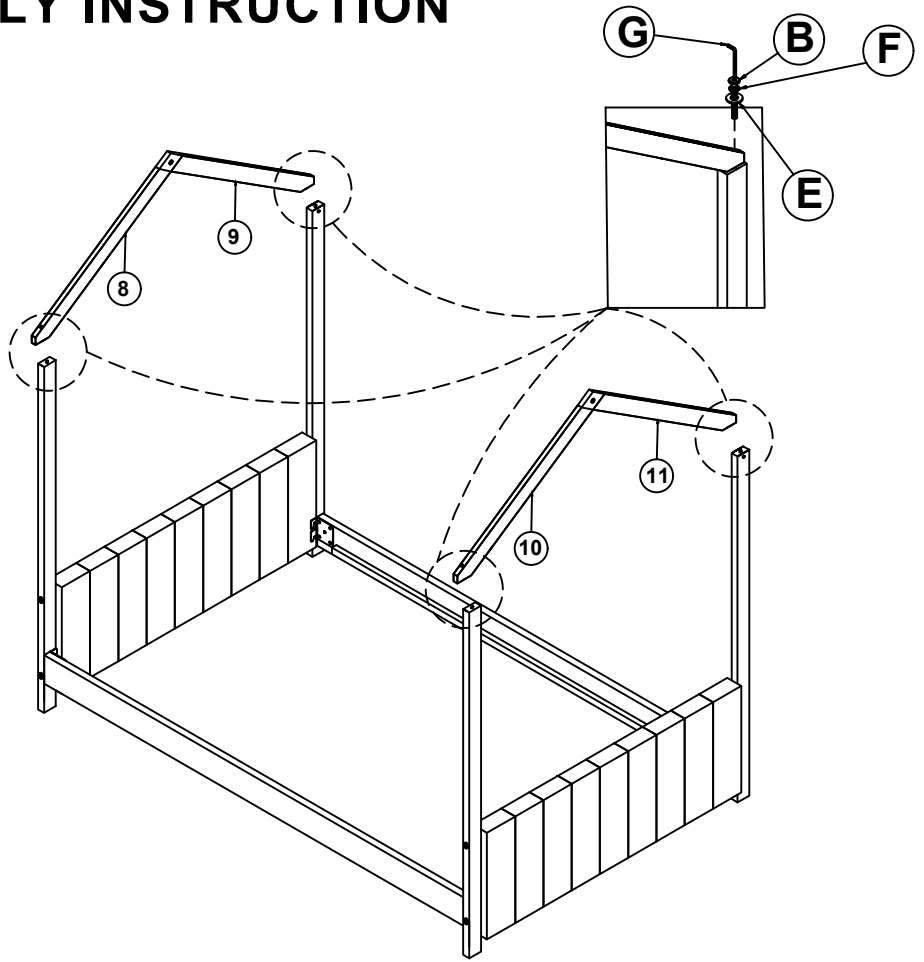
STEP 2







A	Bolt (Ø 5/16 "X25mm)		8pcs	E	Flat Washer (Ø 5/16 "-RBW)		8pcs
F	Spring Washer (Ø 5/16 "-RBW)		8pcs	G	Allen Wrench (M4x75mm x32mm)		1pc

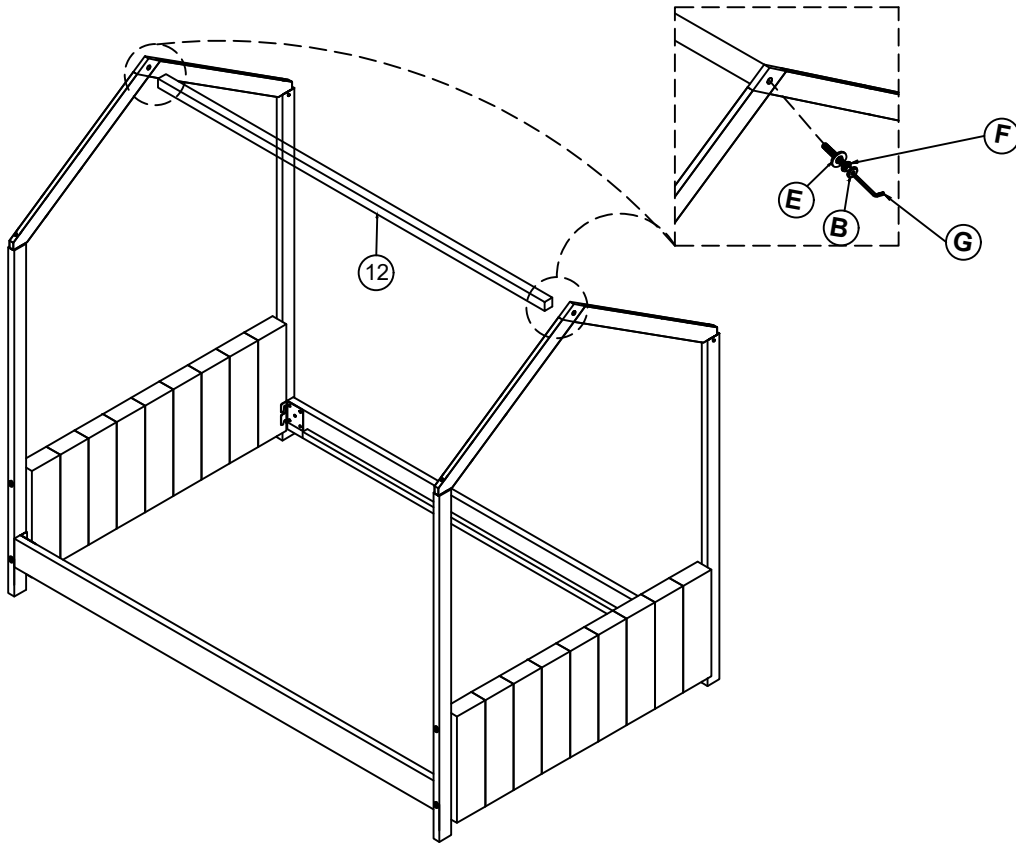
ASSEMBLY INSTRUCTION





STEP 3



B	Bolt (Ø 5/16 "x60mm)		4pcs
E	Flat Washer (Ø 5/16 "-RBW)		4pcs
F	Spring Washer (Ø 5/16 "-RBW)		4pcs
G	Allen Wrench (M4x75mm x32mm)		1pc

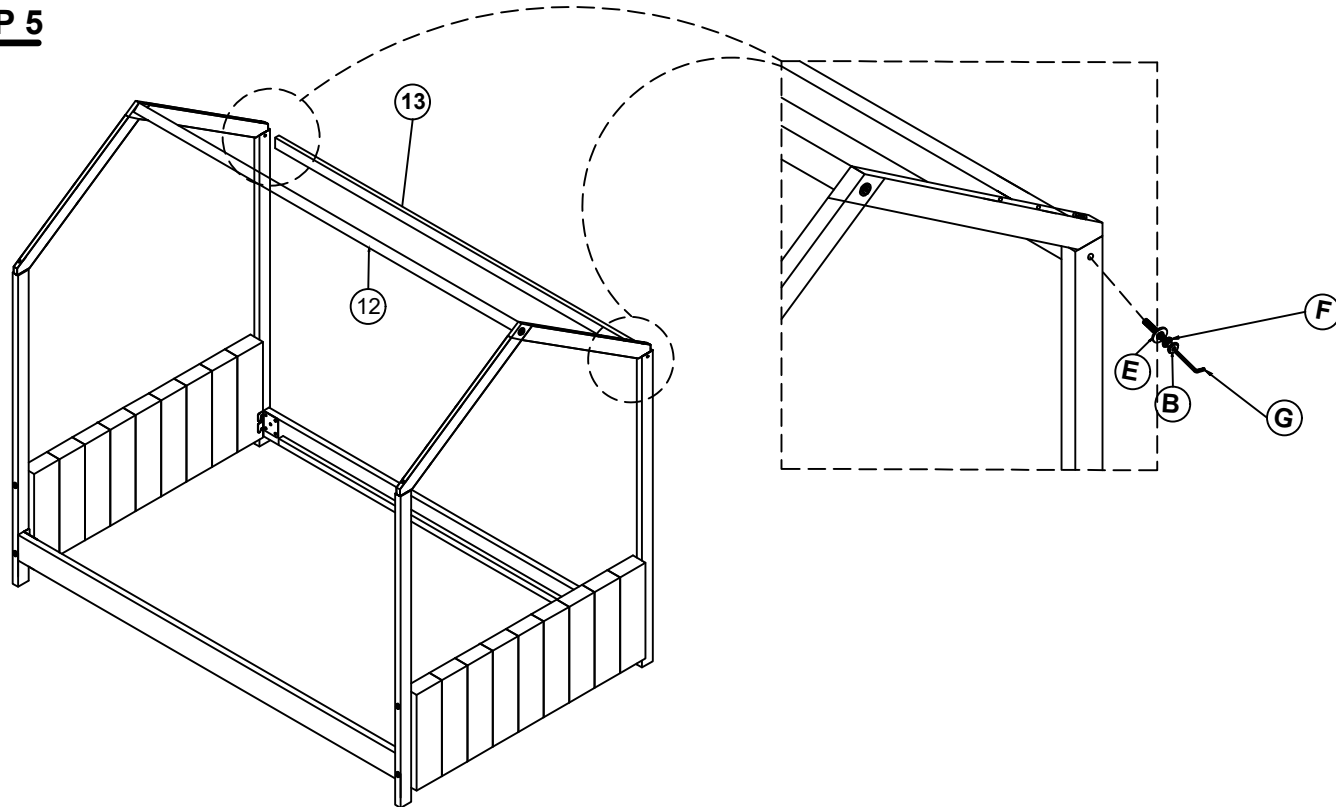
STEP 4







B	Bolt (Ø 5/16 "x60mm)		2pcs	E	Flat Washer (Ø 5/16 "-RBW)		2pcs
F	Spring Washer (Ø 5/16 "-RBW)		2pcs	G	Allen Wrench (M4x75mm x32mm)		1pc

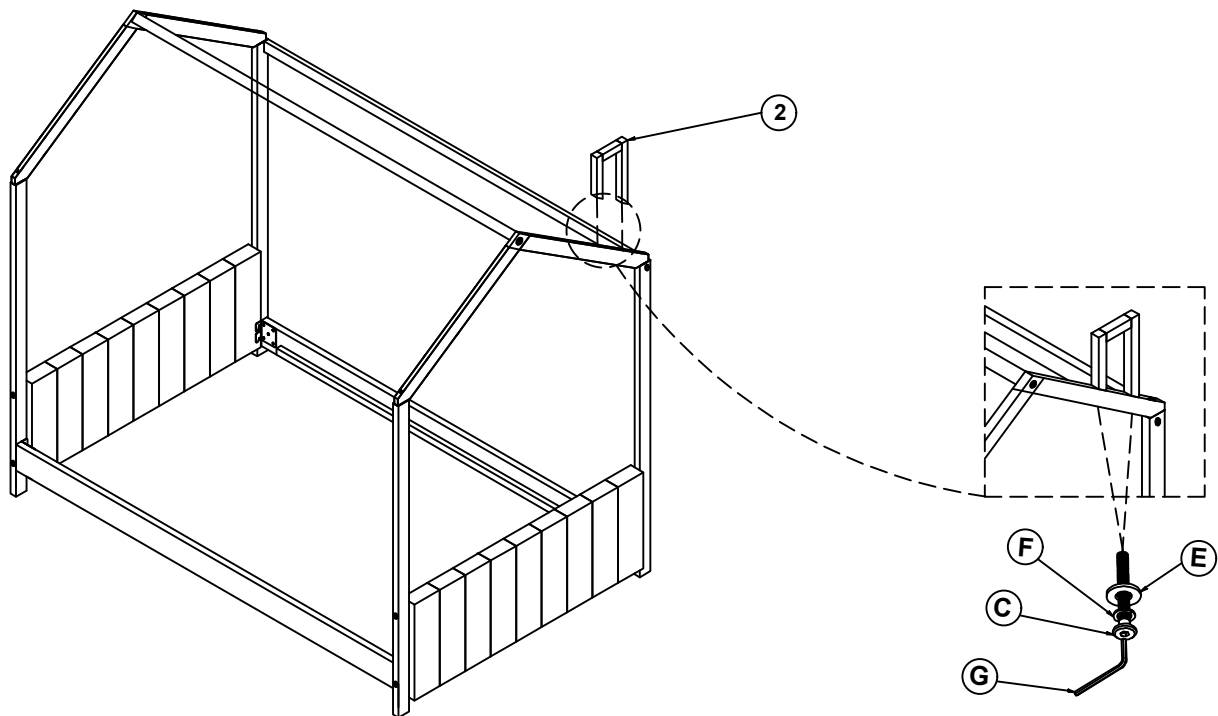
ASSEMBLY INSTRUCTION





STEP 5



B	Bolt (Ø 5/16 "X60mm)		2pcs	E	Flat Washer (Ø 5/16 "-RBW)		2pcs
F	Spring Washer (Ø 5/16 "-RBW)		2pcs	G	Allen Wrench (M4x75mm x32mm)		1pc

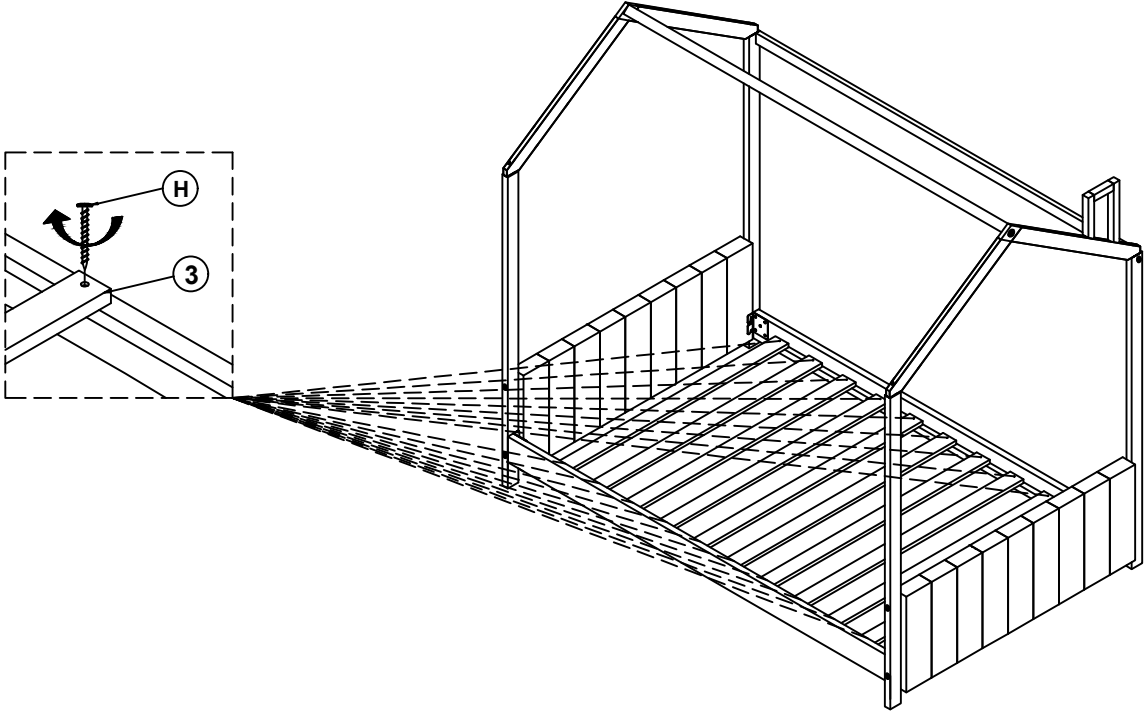
STEP 6

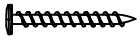


C	Bolt (Ø 5/16 "X80mm)		2pcs	E	Flat Washer (Ø 5/16 "-RBW)		2pcs
F	Spring Washer (Ø 5/16 "-RBW)		2pcs	G	Allen Wrench (M4x75mm x32mm)		1pc

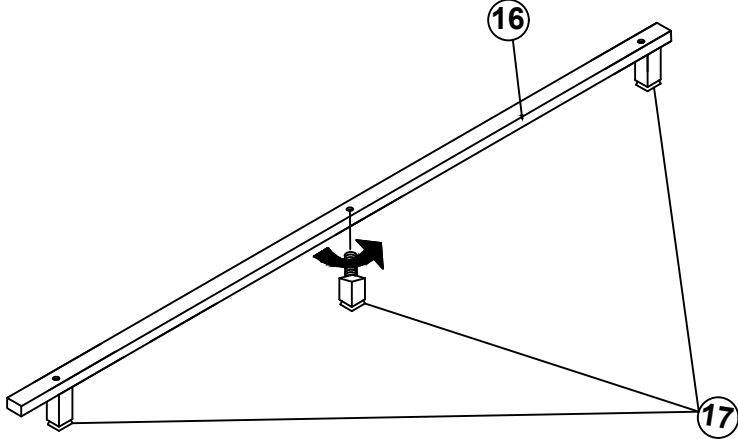
ASSEMBLY INSTRUCTION

STEP 7



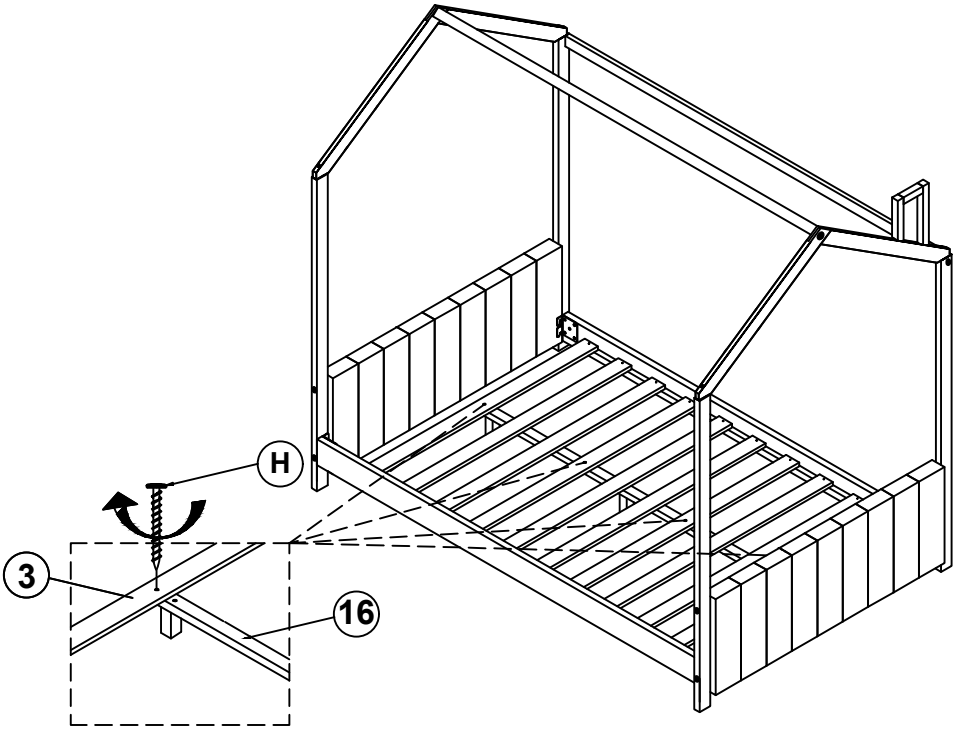
H	Flat Head Screw (m4x30mm-RBW)		20pcs
---	----------------------------------	---	-------

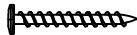
STEP 8 COMPLETE



ASSEMBLY INSTRUCTION

STEP 7



H	Flat Head Screw (m4x30mm-RBW)		4pcs
---	----------------------------------	---	------

STEP 8 COMPLETE

