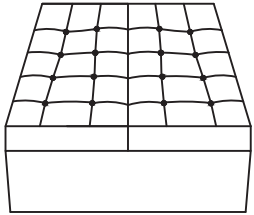


USE AND MAINTENANCE

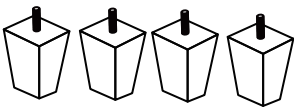
- Use on level surfaces only
- Because this product needs assembly, it is prone to working itself loose from time to time depending on the use. Please take the time to check that all connections are still tight and working properly for safety.
- Only clean using a damp cloth and mild detergent, do not use bleach or abrasive cleaners.

## Ciara Upholstered Lift Top Ottoman

PART LIST



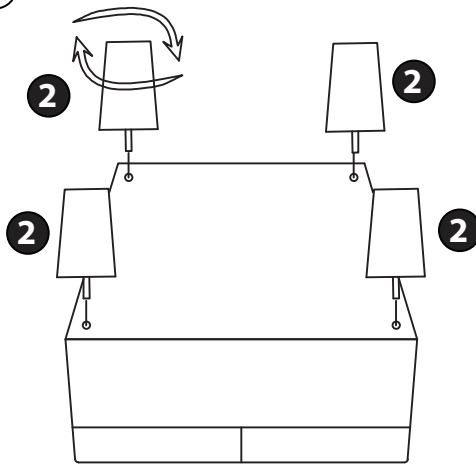
1 - Ottoman Assembly x1



2 - Leg x4

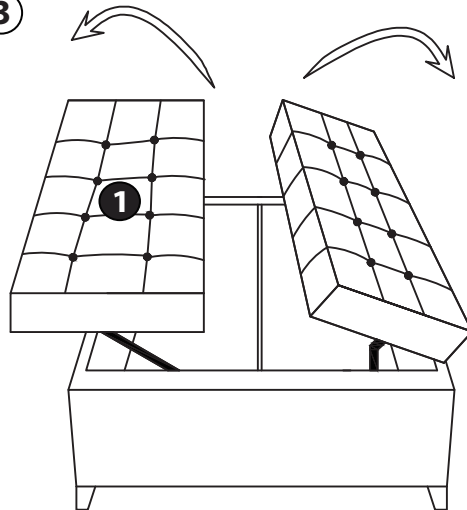
Assembly Instructions

①



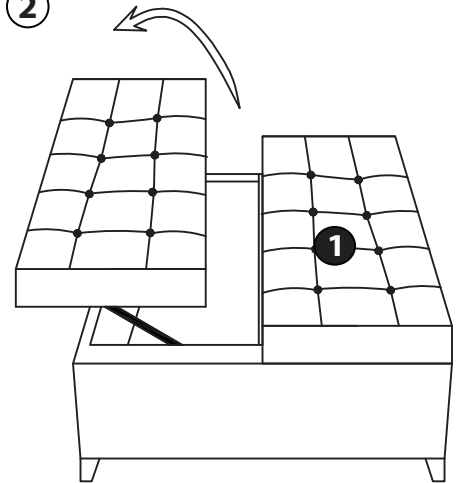
Turn 1 upside down. Insert 2 into 1 and turn clockwise by hand until snug. Repeat for other 2 (x3).

③



Congratulations! Setup of your new Naomi Home Ciara Upholstered Lift Top Ottoman is Complete! Keep these instructions for future reference.

②



Lift from the center seam to open ottoman top. Repeat for other side in the opposite direction.

