

SAFAVIEH OUTDOOR

CARE AND MAINTENANCE

Store outdoor furniture indoors or cover well when not in use.
Remove wooden furniture from standing water. Dust regularly with small brush or vacuum
Spills should be taken care of immediately before they harden or stain with a slightly dampened sponge.

NOTICE

- * Please make sure that you have all parts indicated before you begin assembly of this item
- * This item should be assembled on a soft surface to prevent scratching the finish during assembly
- * This item may require periodic tightening

Weight Capacity : 300 lbs
Warning : Do not stand on chair
Warning : Do not over torque bolts / screws

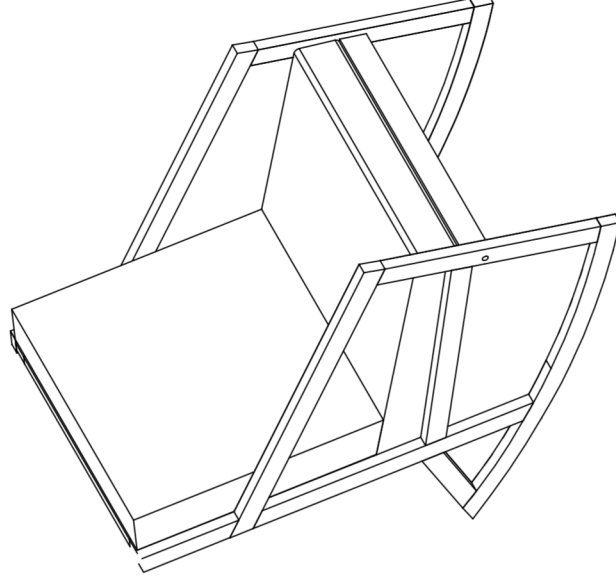


Part List and Hardware List

PIECE	DESCRIPTION	PICTURE	QUANTITY
A	Left leg frame		1X
B	Right leg frame		1X
C	Back frame		1X
D	Seat frame		1X
E	Cross bar		1X
F	Back cushion		1X
G	Seat cushion		1X
H	Bolt		4X
I	Screw		2X
J	Screw		4X
K	Dowel wooden		2X
L	Allen key		2X

Model# PAT7013

Product Dimensions: 25.6" W x 37.8" D x 30.7" H

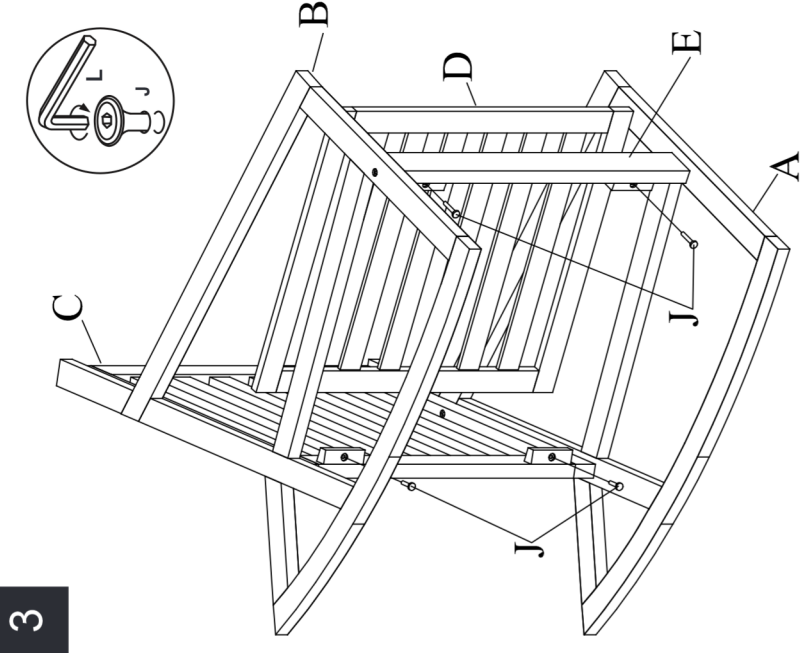
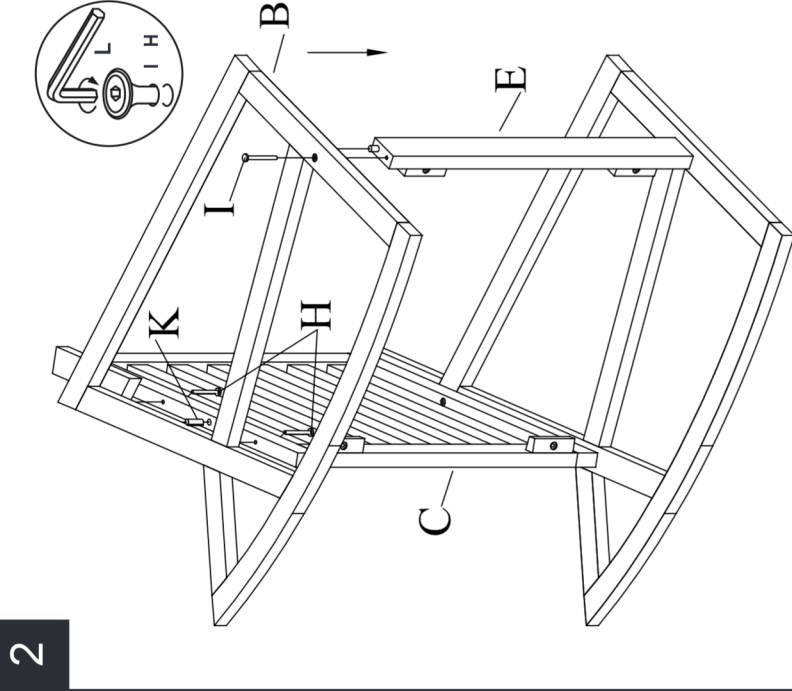
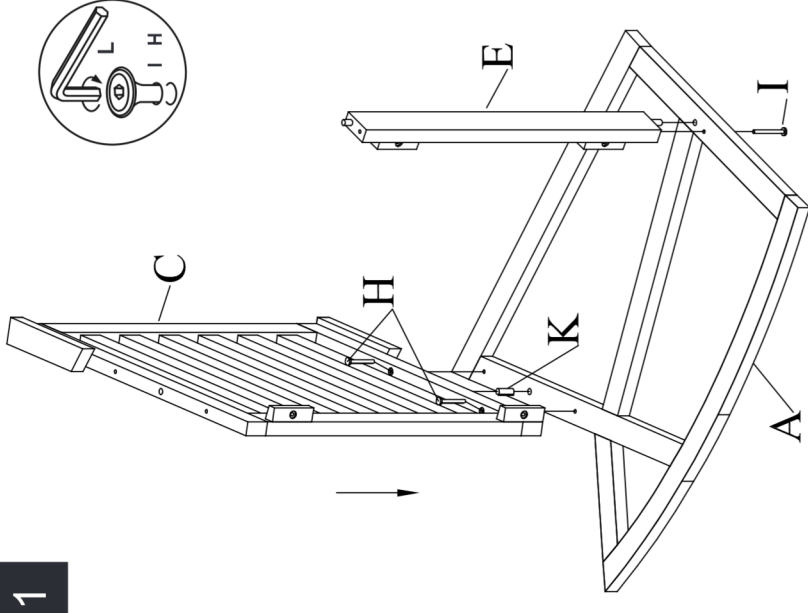


PREPARATION

Before beginning assembly of product, make sure all parts are present. Compare parts with package contents list and hardware contents list. If any part is missing or damaged, do not attempt to assemble the product.

Estimated Assembly Time: 30 minutes.

Tools Required for Assembly (included): Allen Key



Step 1

Attached Back frame (C), Cross bar (E) to Left leg frame (A). Using Screw (I), Bolt (H) and Dowel wooden (K) tighten with Allen key (L)

Step 2

Attached Right leg frame (B) to the Cross bar (E) and the Back frame (C). Using Screw (I), Bolt (H) and Dowel wooden (K) tighten with Allen key (L)

Step 3

Attached Seat frame (D) between the Left leg frame (A), the Right leg frame (B), the Cross bar (E) and the Back frame (C). Using Screw (J) tighten with Allen key (L)

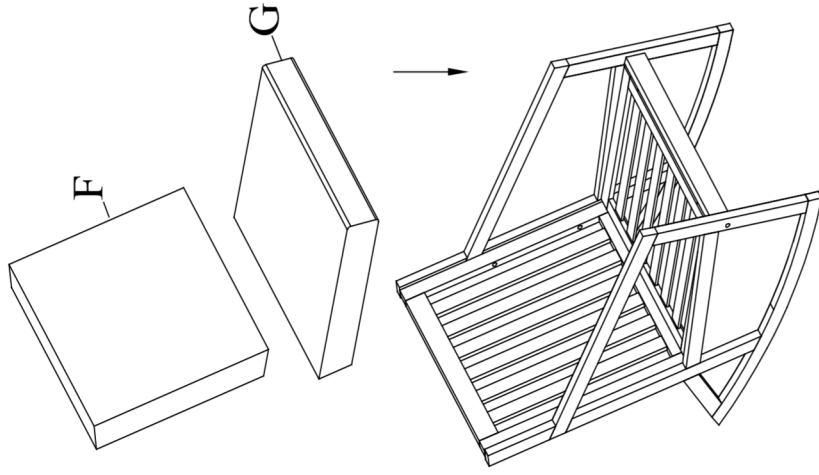
PREPARATION

Before beginning assembly of product, make sure all parts are present. Compare parts with package contents list and hardware contents list. If any part is missing or damaged, do not attempt to assemble the product.

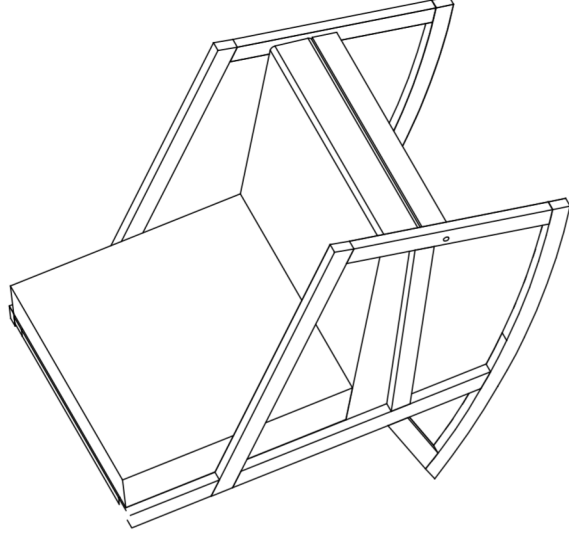
Estimated Assembly Time: 30 minutes.

Tools Required for Assembly (included): Allen Key

4



5



Step 4

Put Back Cushion (F) and Seat Cushion (G) on the Chair. The Chair is ready to be used.

Step 5

Caution: This Chair can only be used on a flat, level surface