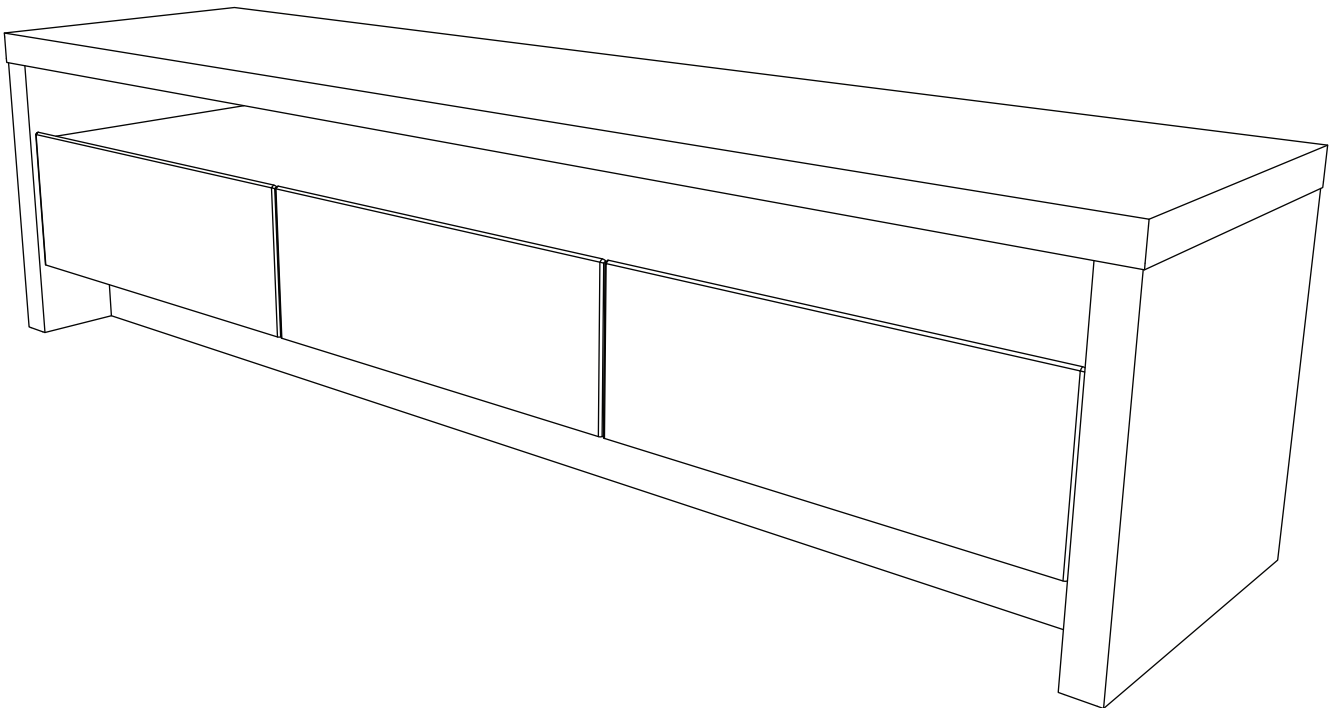




MANHATTAN  
COMFORT

## ASSEMBLY INSTRUCTIONS



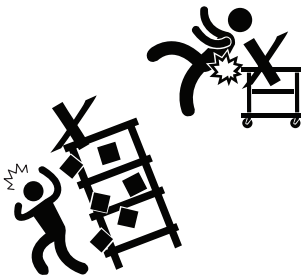
COD: 221100

REV. 00

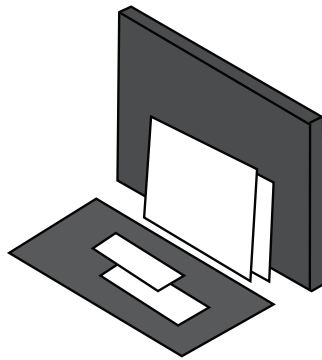
# IMPORTANT REMARKS



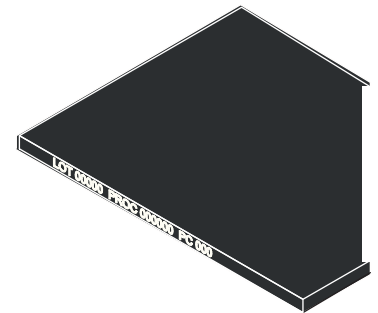
Never climb or lean on the furniture. You may suffer serious accidents.



Use the packaging to cover the assembly area and separate all parts.



Identify the parts by observing the number printed on their edges.



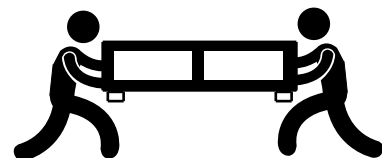
## CARE INSTRUCTIONS



Wipe clean using a damp cloth and a mild cleaner. Do not use abrasive and chemical products.



## HANDLING

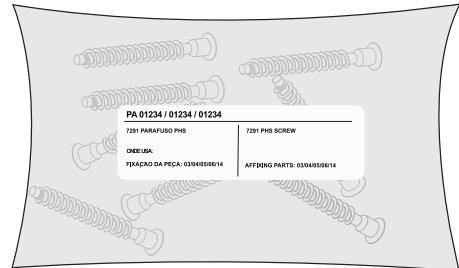


Move the piece carefully, don't drag it. Ask for someone else's help to do so.

# HARDWARE



Identify and separate the hardware used in the assembly. There's a label on each package identifying the parts and where to use them.



COD. 1533-48x



A

COD. 5798-4x



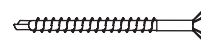
B

COD. 2661-3x



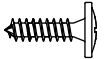
C

COD. 3527-14x



D

COD. 8056-4x



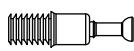
E

COD. 6533-12x



F

COD. 9895-14x



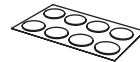
G

COD. 10063-14x



H

STICKER-4X



I

COD. 10342-4x



J

COD. 1668-50x



K

COD. 7313-2x



L

COD. 0338-6x



M

COD. 0136-8x



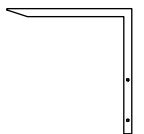
N

COD. 0357-40x

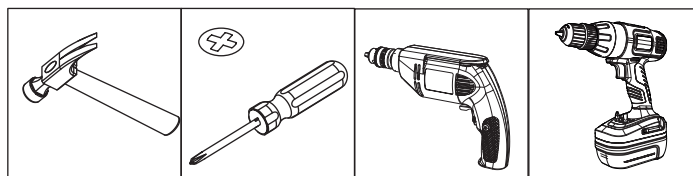


O

COD. 10499-2x

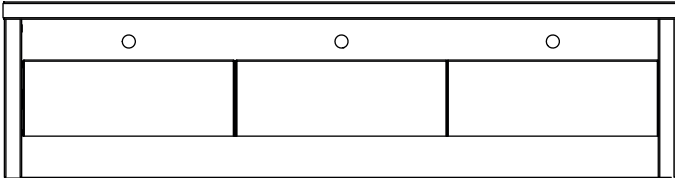


P

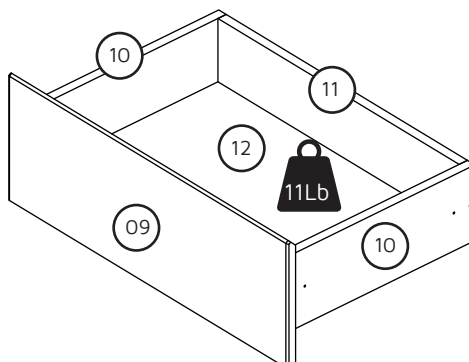
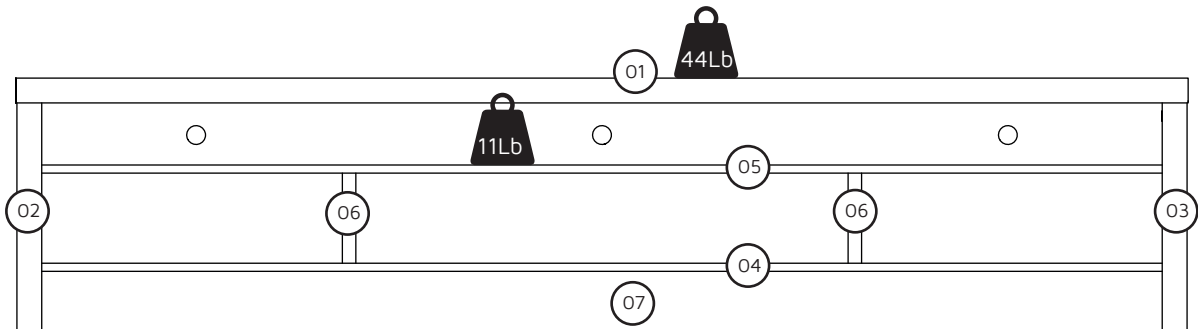
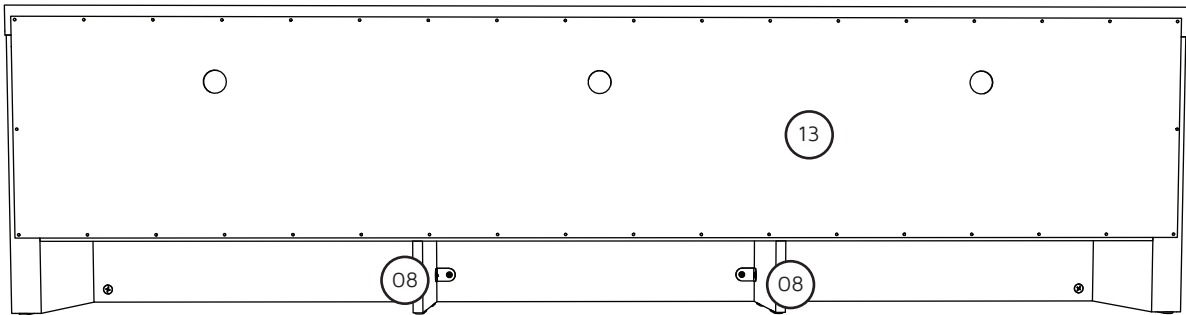


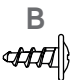



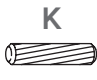

# DESCRIPTION

W:70,87 inches H:18,46 inches D:17,44 inches  
 L:1800mm A:469mm P:443mm

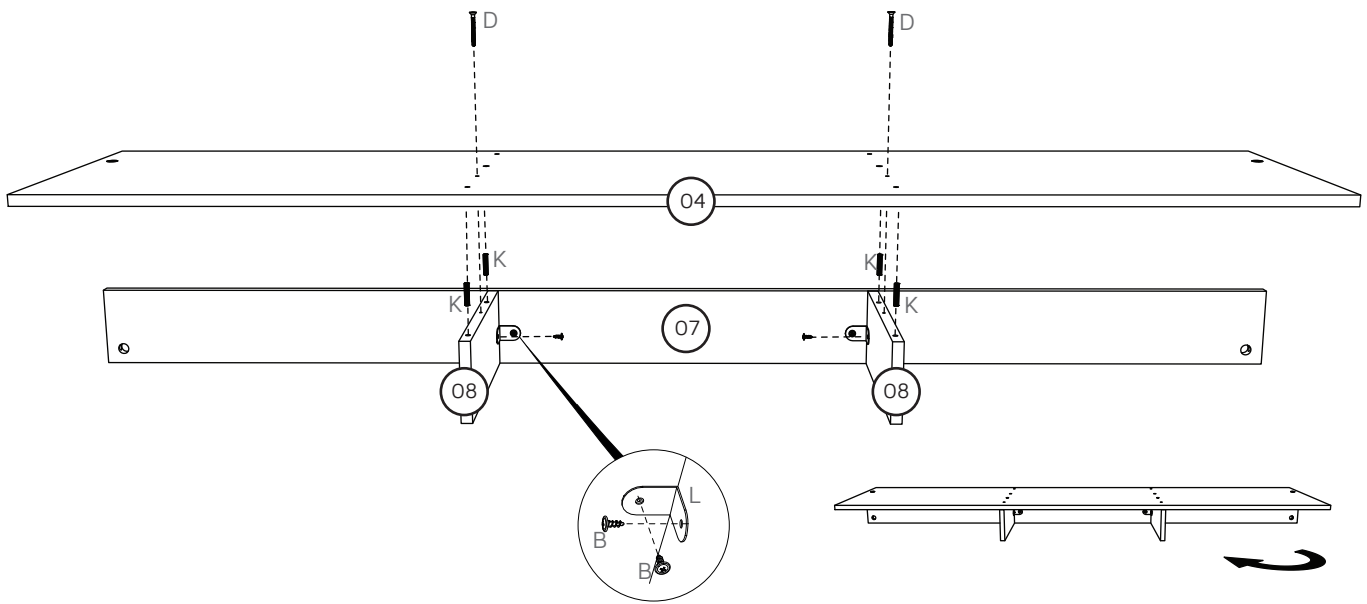


| CÓD:221100 |          |                   |     |
|------------|----------|-------------------|-----|
| PART       | QUANTITY | DESCRIPTION       | BOX |
| 01         | 01       | TOP PANEL         | 01  |
| 02         | 01       | LEFT SIDE         | 02  |
| 03         | 01       | RIGHT SIDE        | 02  |
| 04         | 01       | BASE              | 02  |
| 05         | 01       | SHELF             | 02  |
| 06         | 02       | DIVIDER           | 02  |
| 07         | 01       | BATTEN            | 01  |
| 08         | 02       | SUPPORT           | 01  |
| 09         | 03       | DRAWER FRONT      | 01  |
| 10         | 06       | DRAWER SIDE       | 02  |
| 11         | 06       | DRAWER BACK PANEL | 01  |
| 12         | 03       | DRAWER BOTTOM     | 01  |
| 13         | 01       | BACKPLATE         | 01  |



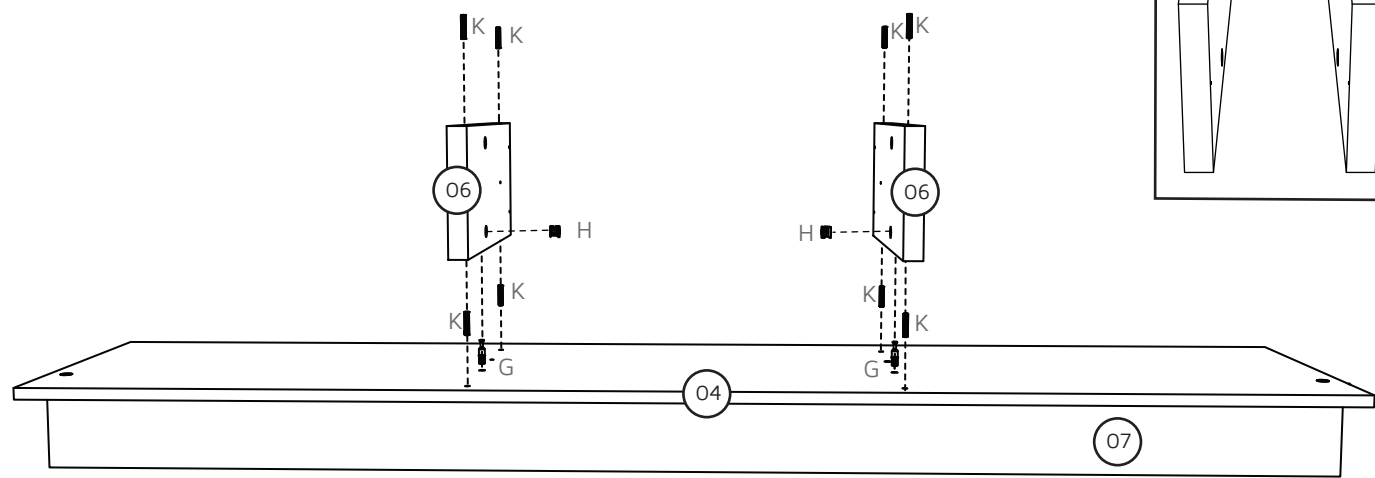
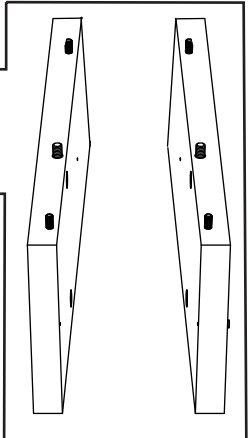
|   |   |  |  |   |   |
|---|---|--|--|---|---|
| COD. 5798<br><b>B</b><br> | COD. 3527<br><b>D</b><br> | COD. 9895<br><b>G</b><br> | COD. 10063<br><b>H</b><br> | COD. 1668<br><b>K</b><br> | COD. 7313<br><b>L</b><br> |
|---|---|--|--|---|---|

01

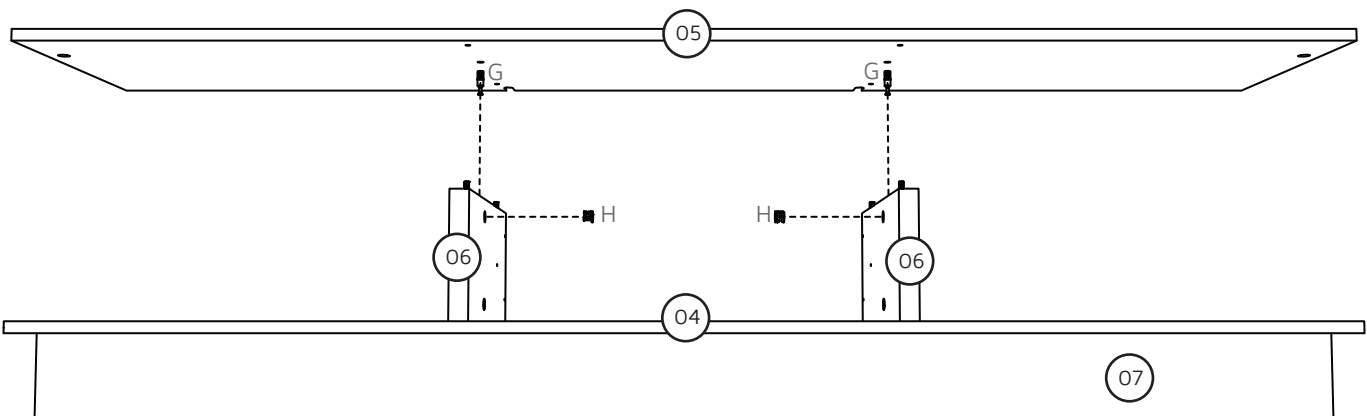


02

**Attention**  
The holes on parts are placed inwards the parts.





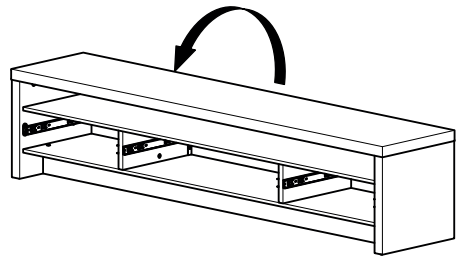
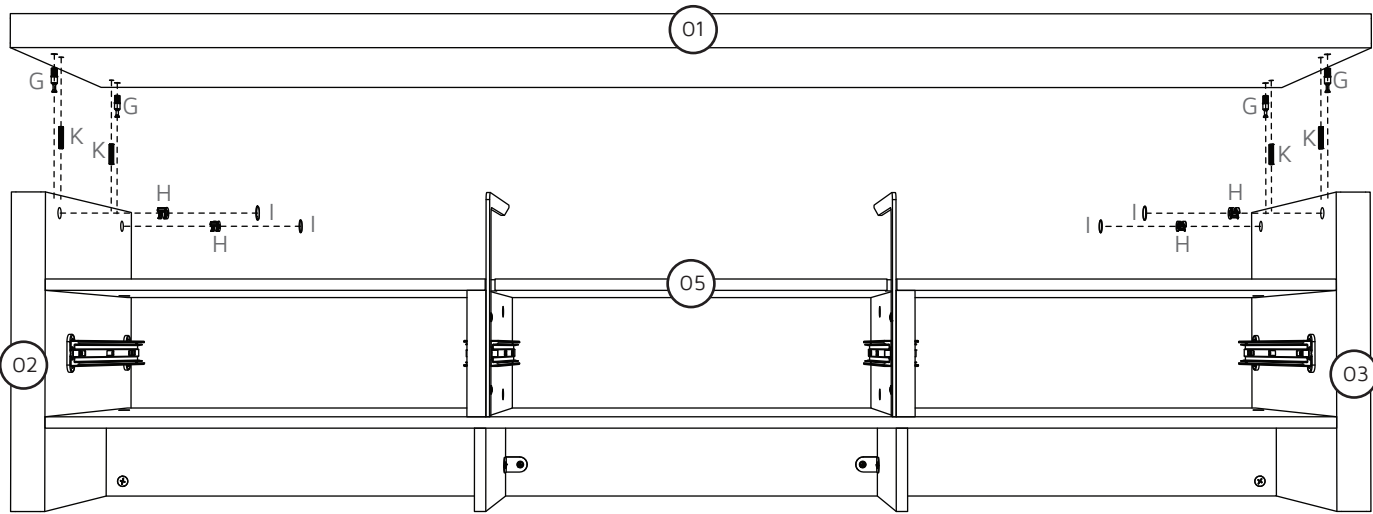
03



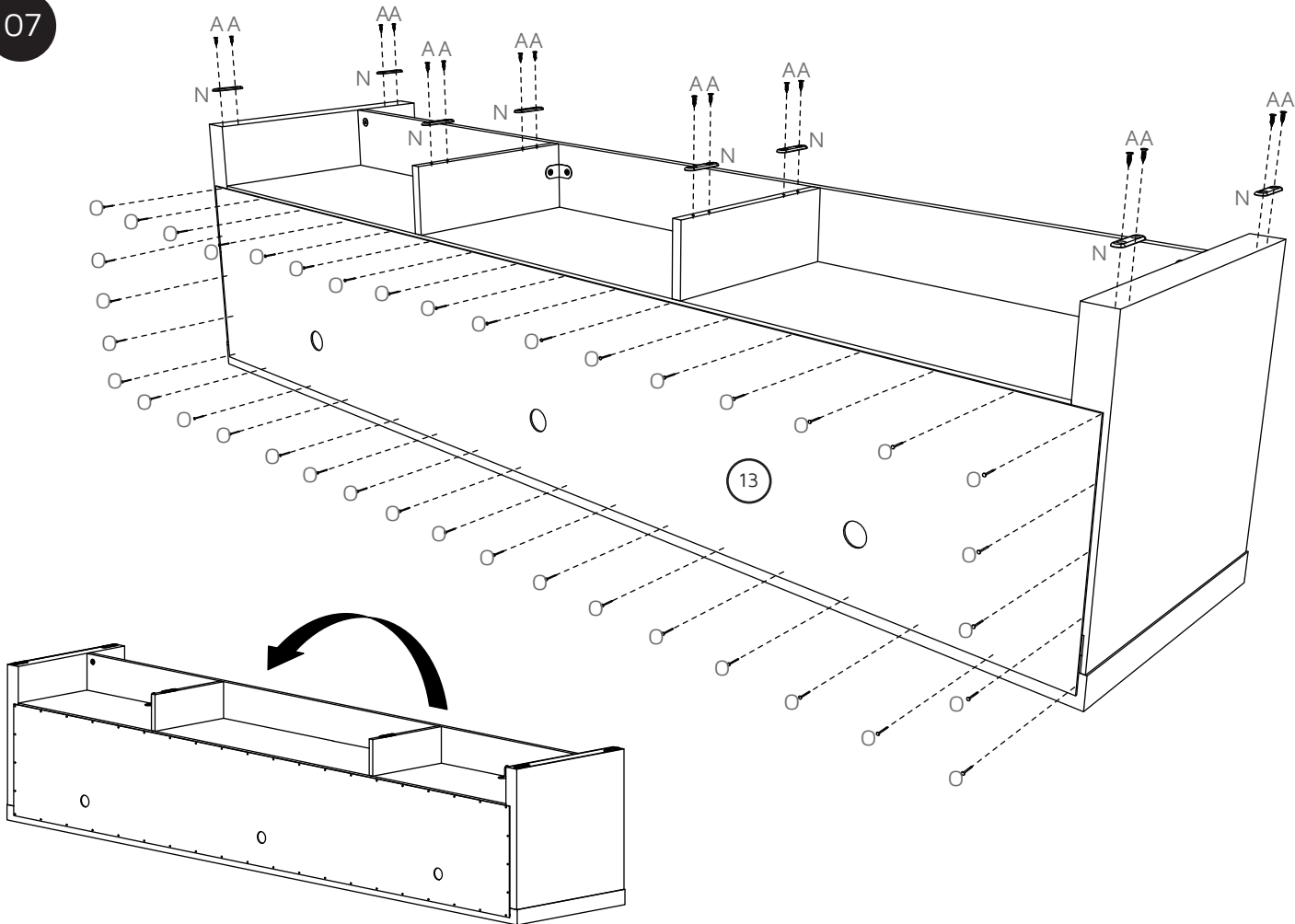


06

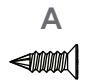
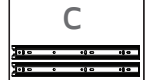
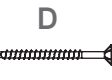
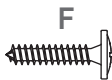
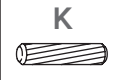

|   |   |  |  |   |   |   |
|---|---|--|--|---|---|---|
| cod. 1533<br><b>A</b><br> | cod. 9895<br><b>G</b><br> | cod. 10063<br><b>H</b><br> | STICKER<br><b>I</b><br> | cod. 1668<br><b>K</b><br> | cod. 0136<br><b>N</b><br> | cod. 0357<br><b>O</b><br> |
|---|---|--|--|---|---|---|

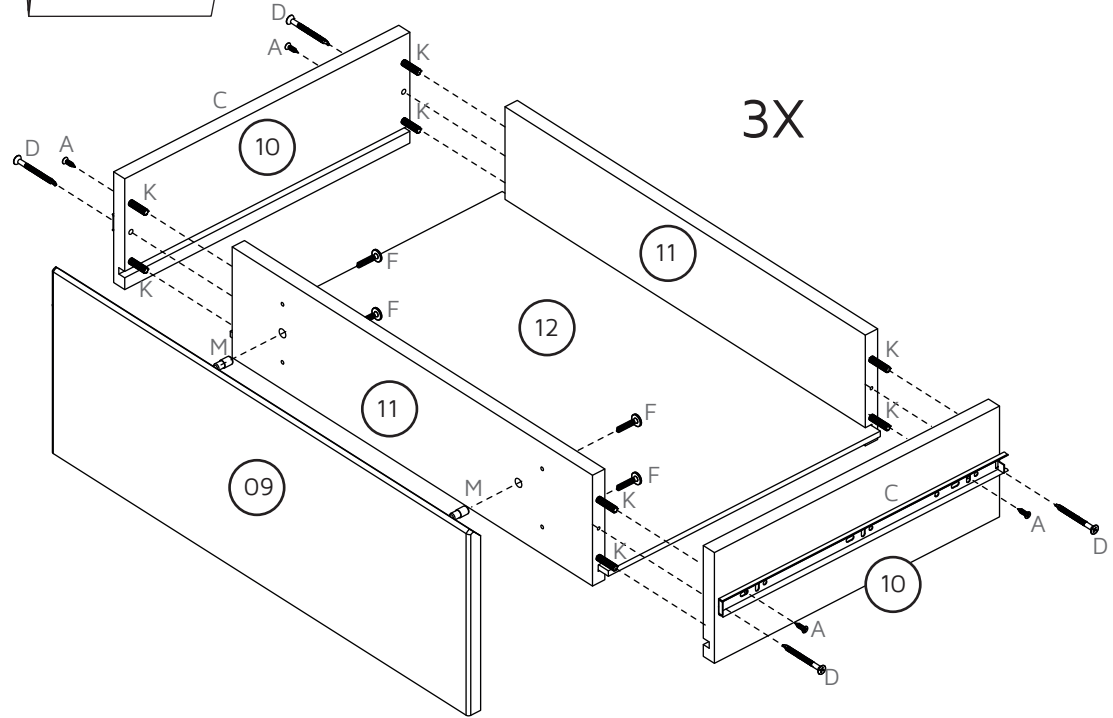
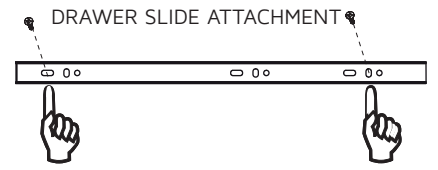
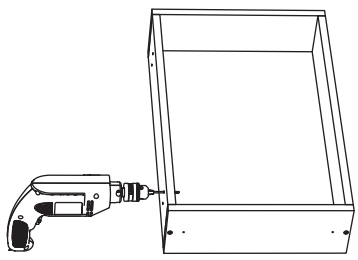


07



08

|   |   |  |   |   |   |
|---|---|--|---|---|---|
| COD. 1533<br><b>A</b><br> | COD. 2661<br><b>C</b><br> | COD. 3527<br><b>D</b><br> | COD. 6533<br><b>F</b><br> | COD. 1668<br><b>K</b><br> | COD. 0338<br><b>M</b><br> |
|---|---|--|---|---|---|



09

