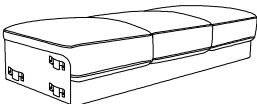
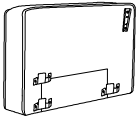
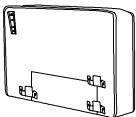
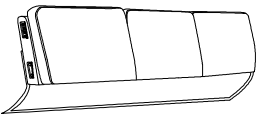

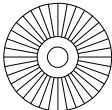


**ASSEMBLY INSTRUCTION**  
**ITEM NO: 194S9203CHC/DGY/BRW-3**  
**SOFA**

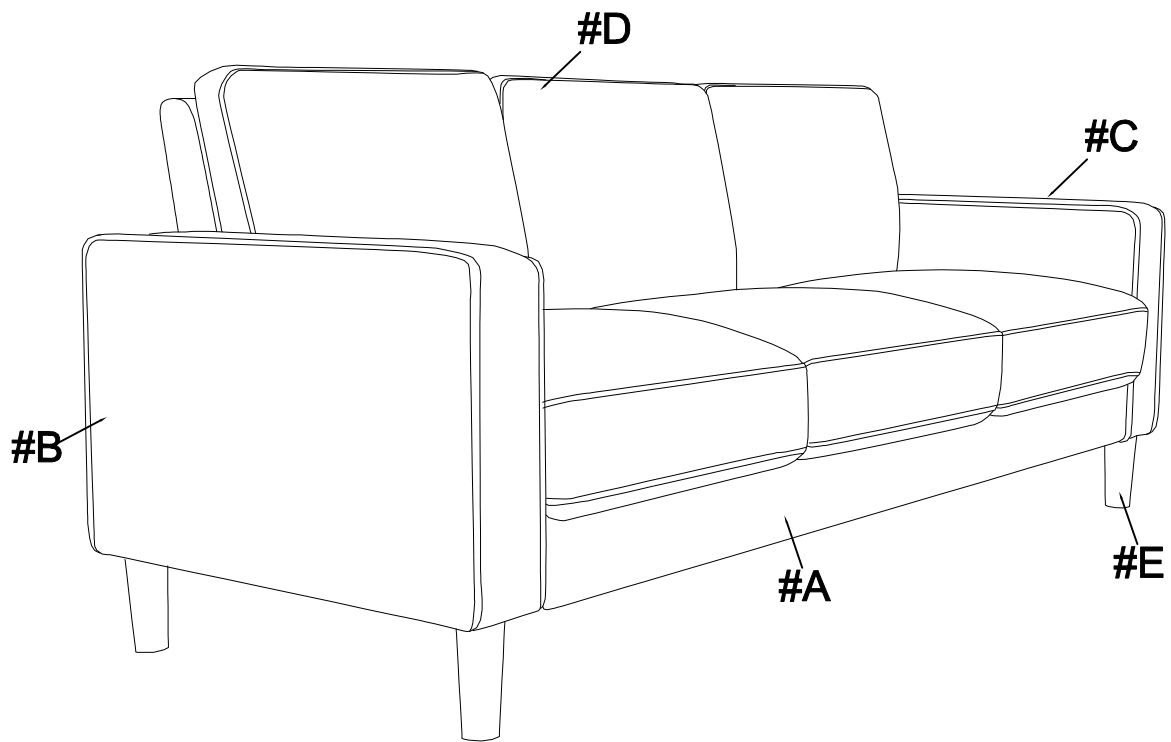


Legs and hardware are stored in box,  
 please take out for assembly.

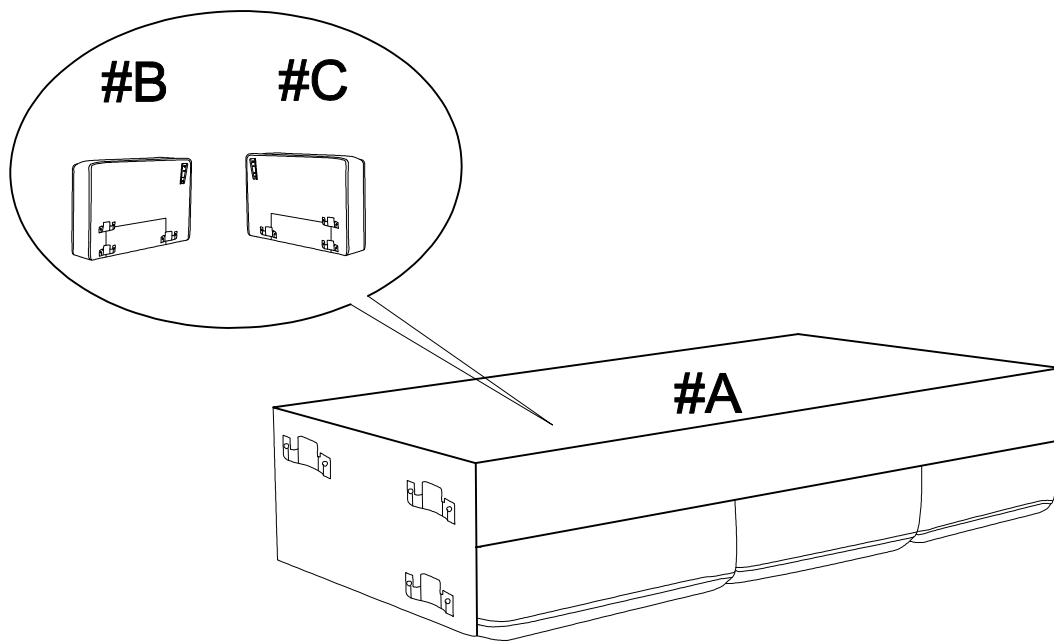
**NOTE:** Do not use power tools for assembly. Power tools increase the risk of over tightening which lead to splitting or cracking the wood.

| NO. | DRAWING   | QTY | DESCRIPTION    |
|-----|---|-----|----------------|
| A   |    | 1   | Seat           |
| B   |  | 1   | LSF Armrest    |
| C   |  | 1   | RSF Armrest    |
| D   |  | 1   | Back Rest      |
| E   |  | 4   | Plastic Leg    |
| F   |  | 4   | Plastic Washer |

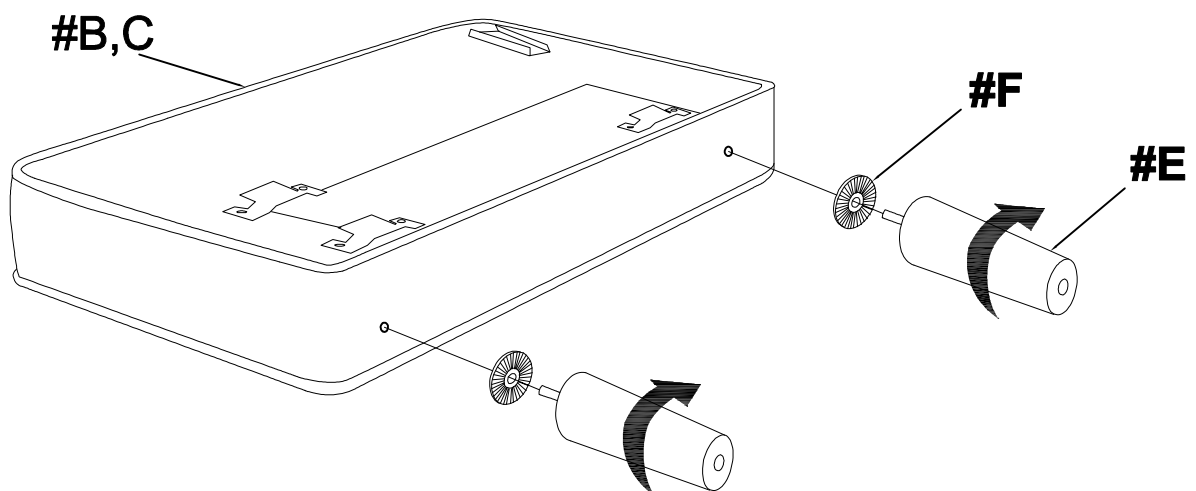
# Exploded View



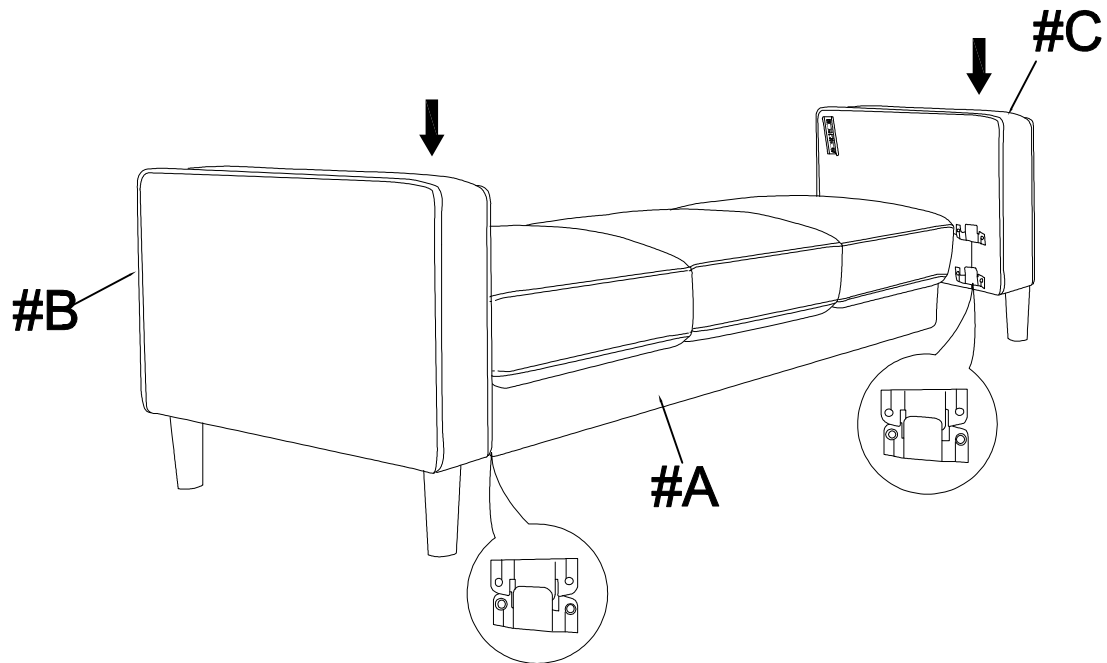
# STEP 1:



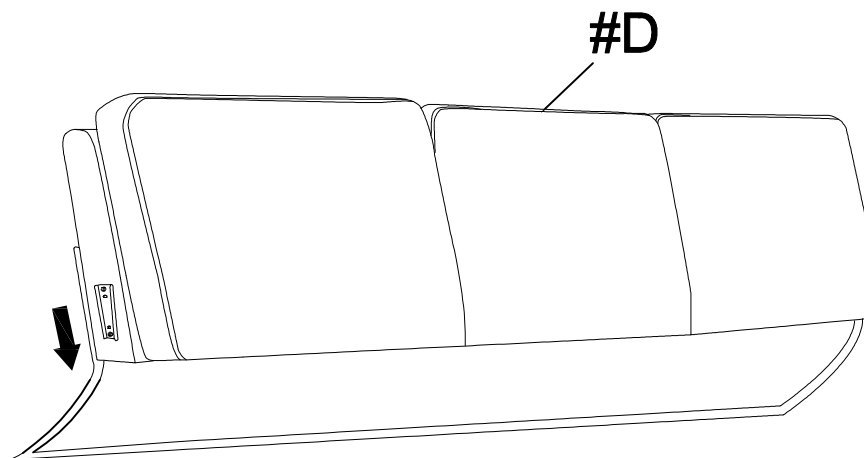
# STEP 2:



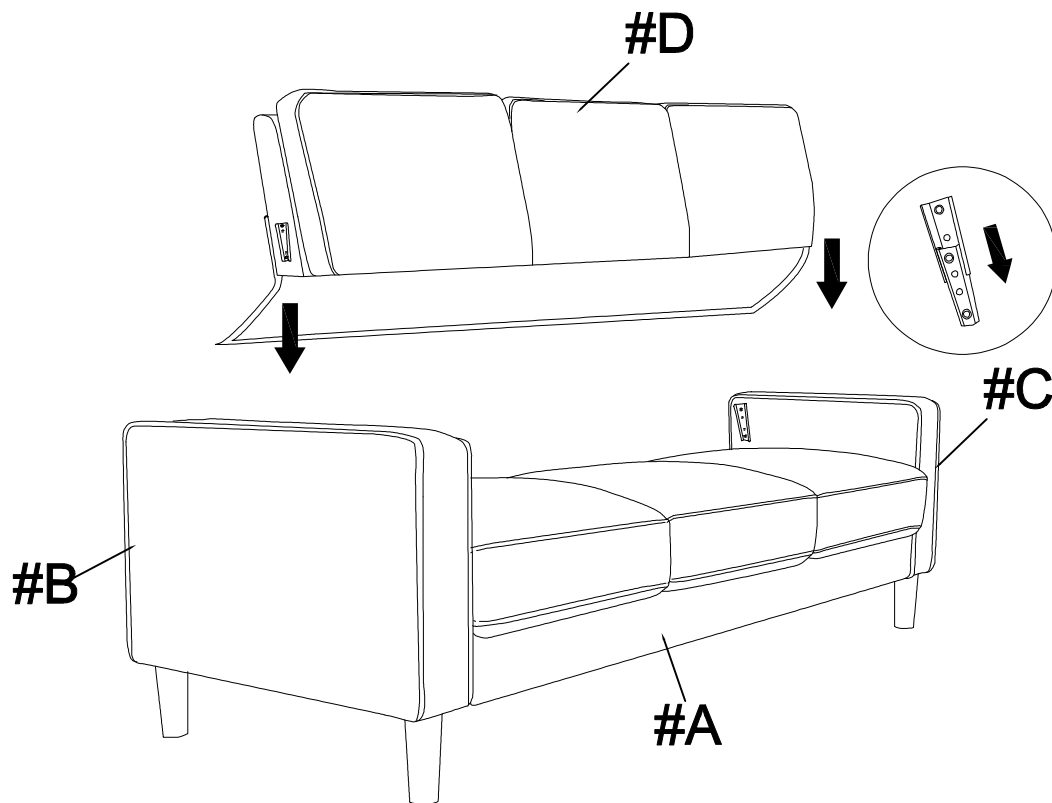
**STEP 3:**



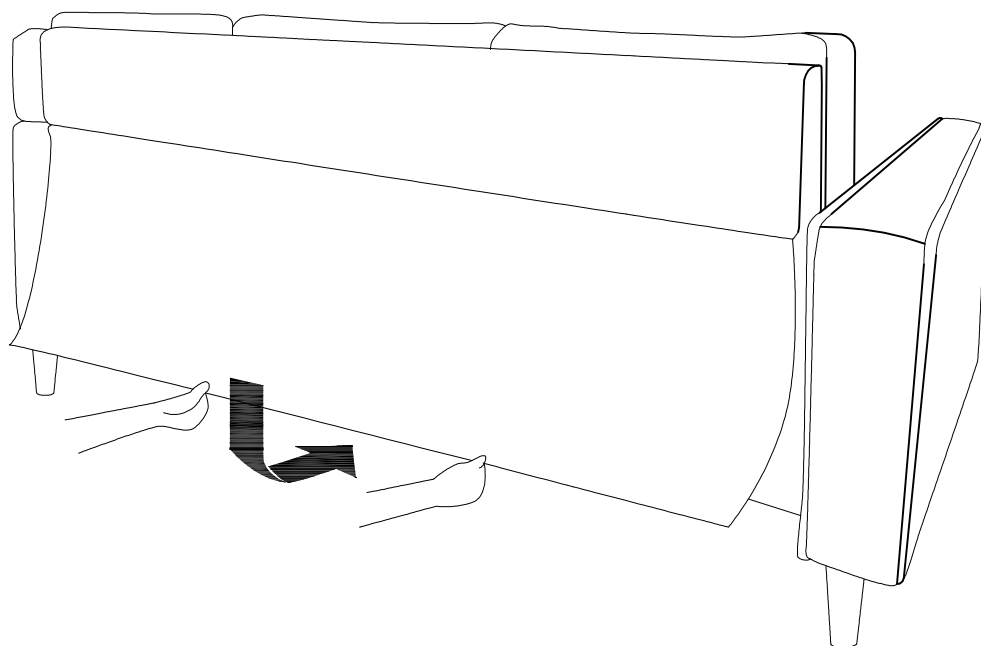
**STEP 4:**

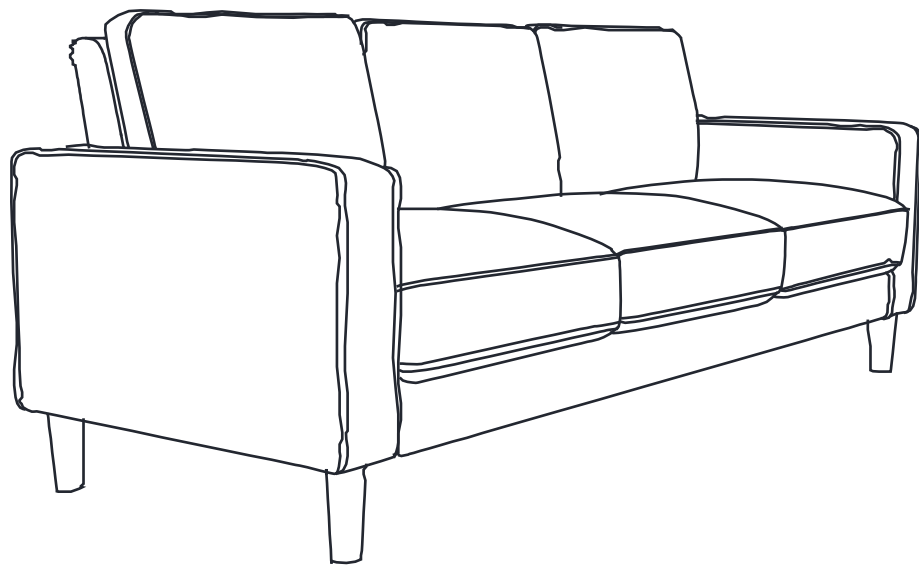


**STEP 5:**



**STEP 6:**





### **Care instruction for PU furniture:**

In order to maintain the original appearance of your PU furniture, please follow below simple care procedures:

- Avoid exposing furniture directly to sunlight or heating or heating conditioning outlets. Sunlight and or exposure to heating and air conditioning outlets will fade/damage PU.
- Do not place your upholstered furniture too close to windows, radiators, or vents, and be sure to use windows, radiators, or vents.
- Vacuum or wipe with a cloth regularly to remove dust.



For items used on wooden floor, hard surfaces or carpets, it is recommended to install protective pads under all legs and supports to avoid/prevent from damages/scratches and discoloration.