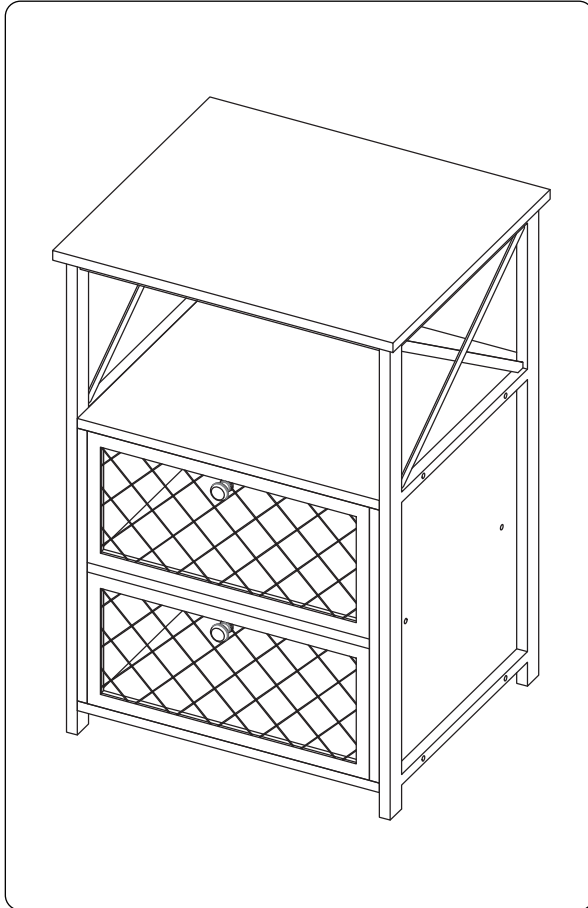


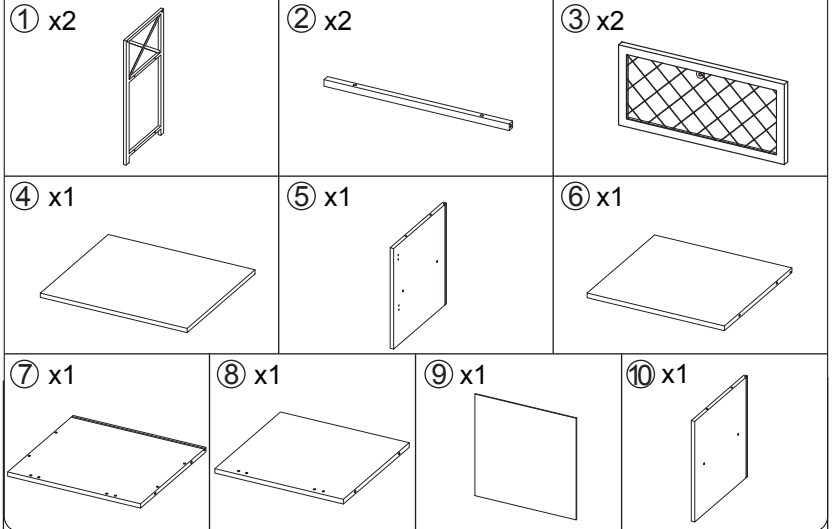
Assembly Instructions

Tips!

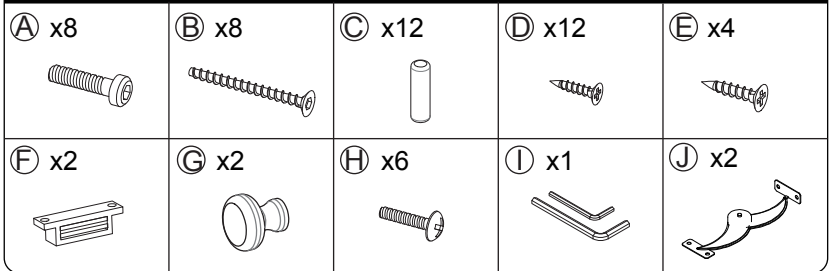
Check all the components & screws before assembly. **Do not install in case part is missing, contact us to get.** Send email with your question to support@vecelo.com. We will resend within 24 hours.



Componets



Screws & tools

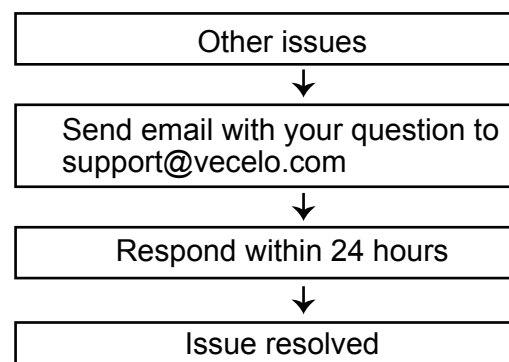
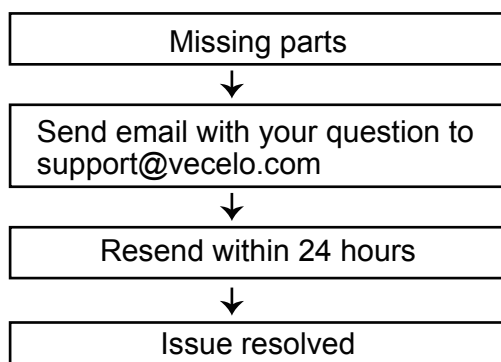


Return Policy

VECELO believes you will absolutely love your new item. But if for some reason you want to return, please contact us directly before you decide to return your product. Our customer service organization can answer most concerns and assist you with a ns you may have about your new item, please email us first at: support@vecelo.com.

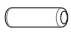


The item must be return within 30 days of delivery for a full refund. The item must be returned in good condition ,in original box,with all original proof of purchase,parts and accessories.

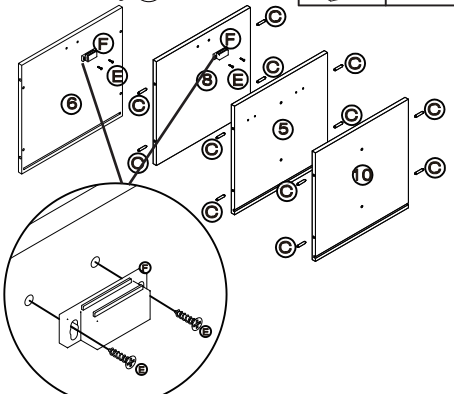
Trouble shooting:



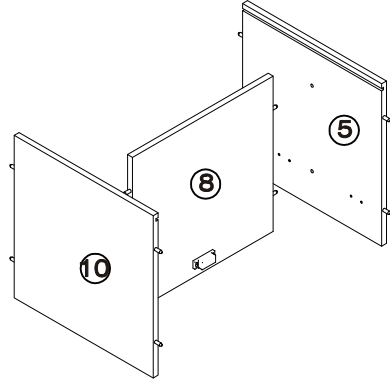
We control manufacturing and distribution ourselves, ensure the quality.

1 Assembly ⑧、⑤ & ⑩
Assembly ①

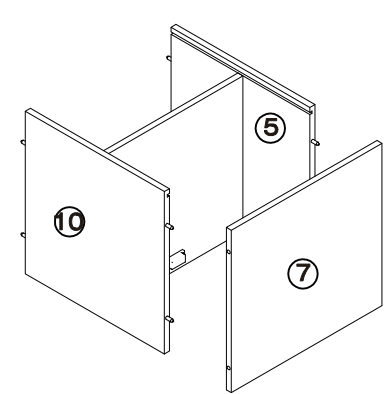
	Cx12
	Ex4
	Fx2



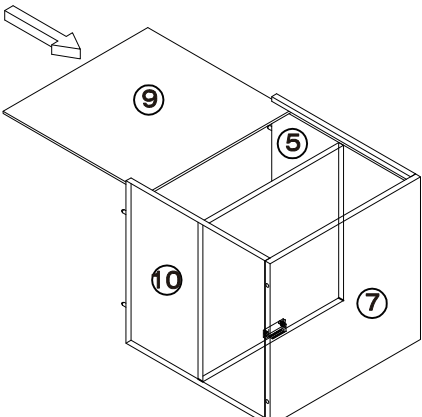
2 Connect ⑧、⑤ & ⑩



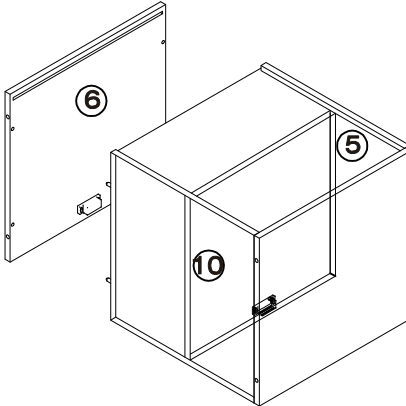
3 Connect ⑤、⑩ & ⑦




4 Assembly ⑨ & ⑦

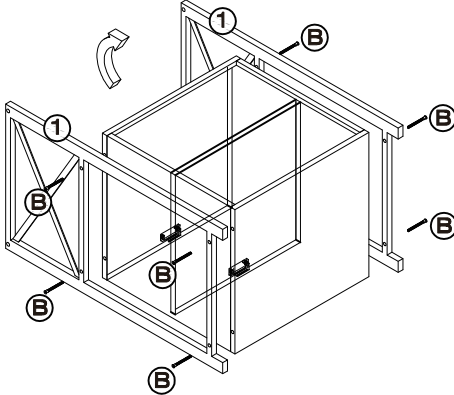


5 Connect ⑥、⑤ & ⑩




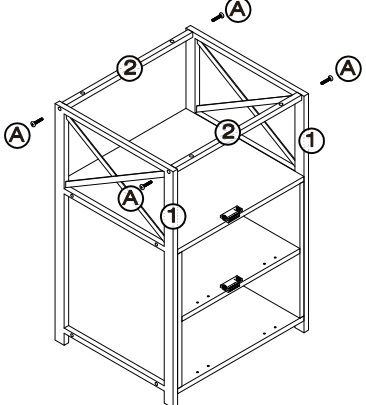
6 Connect ①、⑥ & ⑦

	Bx8
---	-----




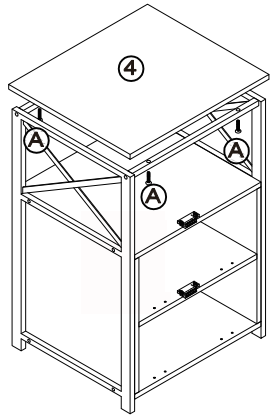
7 Connect ② & ①

	Ax4
---	-----



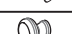


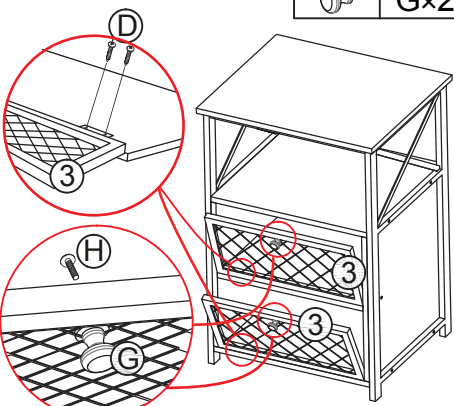
8 Assembly ④

	Ax4
---	-----






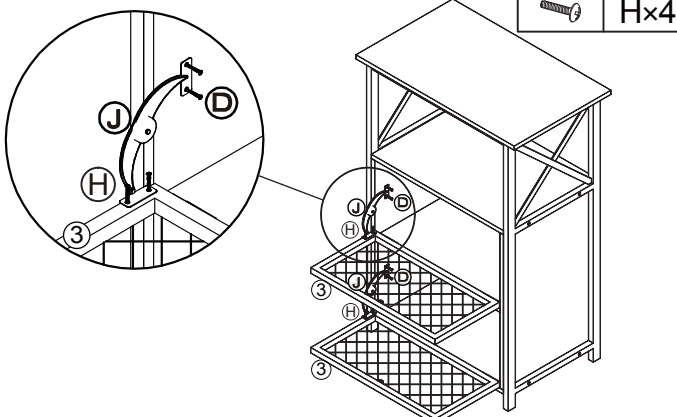
9 Assembly ③ & ③

	Dx8
	Hx2
	Gx2



10 Assembly ③ & ①

	Dx4
	Jx2
	Hx4



How to find us?

Customer Service
 E-mail: support@vecelo.com
 Website: www.vecelo.com
 Facebook page: **VECELO**