

UNLIT ARTIFICIAL CHRISTMAS TREE

Review all assembly and care information before using this product. Save this manual for future reference.

Save the box to store the tree.

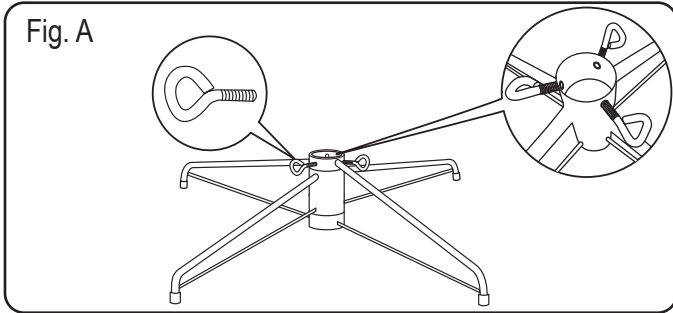


Fig. A

●●●● HELPFUL TIPS ●●●●

Assemble and shape the tree in the location it will be displayed.

Shape each section before installing the next section; it is easier to shape one section at a time as the tree is assembled.

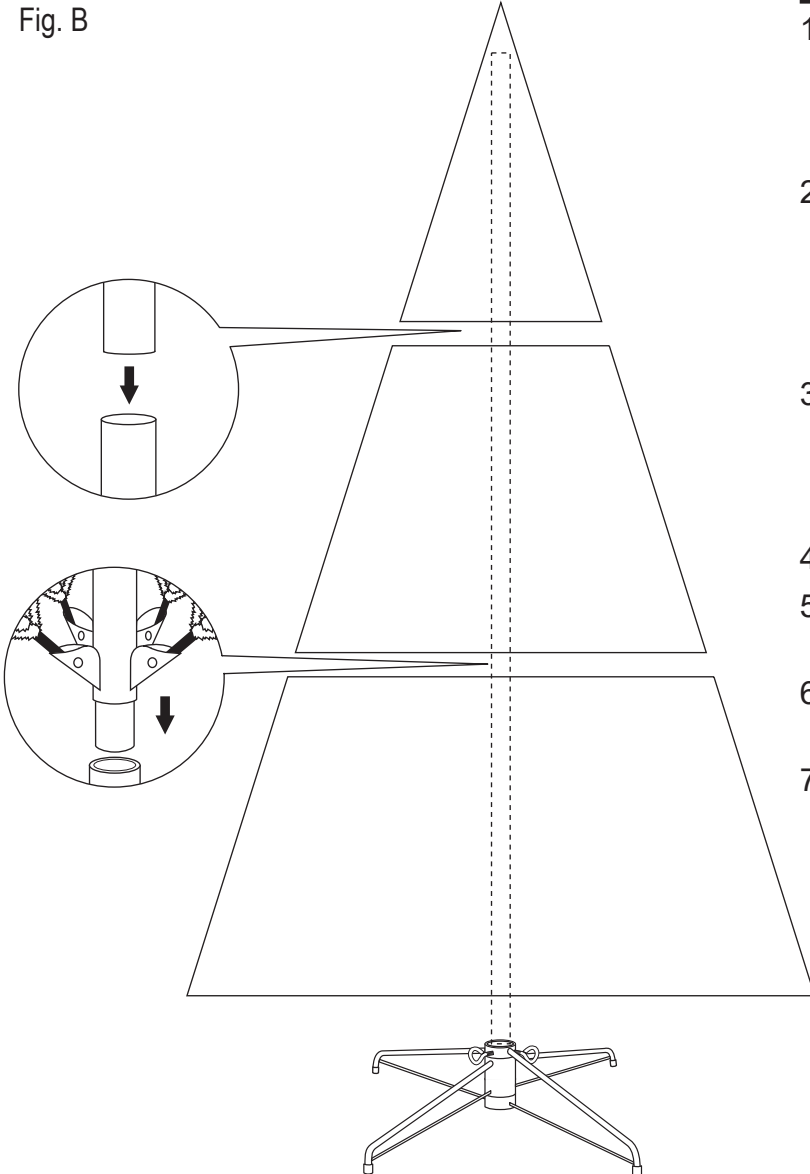


Fig. B

ASSEMBLY

1. Unfold the legs of the stand, so they are X-shaped. Thread the eye bolt into the stand until the end of the thread on the eye bolt is flush with the inside of the stand. (Fig. A)
2. Assemble the tree from the bottom to the top. (Fig. B) Insert the bottom section into the stand, ensuring the pole is fully inserted into the stand. Evenly tighten the eye bolts until the tree bottom is firmly secured.
3. Gently lower the branches into place. If branches do not automatically fall, gently pull up and out. When adjusting branches, be sure that all wires are free of branch hinges. (Fig. C)
4. Shape the bottom section. See *Shaping*, page 2.
5. If your tree does not have a middle section, skip to Step 7.
6. Insert the middle section into the bottom section. Shape the branches and tips.
7. Insert the tree top into the previous section. Shape the branches and tips.

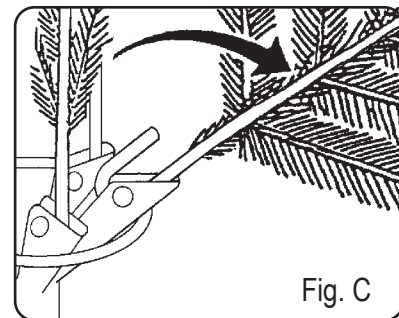
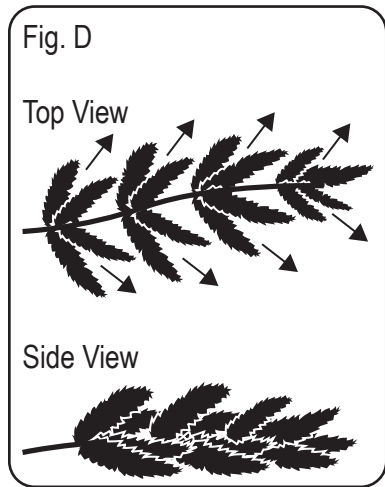


Fig. C

SHAPING

The fullness of your tree will depend upon the amount of time spent shaping it. Most artificial trees take approximately 45 minutes to 1 hour of shaping to achieve a more realistic appearance. While this may seem like a long time, it is the way to perfect your tree's appearance and replicate the styling seen in photos.



"Fluff" the branches of each section from the bottom to the top. Starting at the bottom makes the branches easier to access, so you don't miss tips that might be tucked tightly on a branch.

Start with tips closest to the pole. Gently pull the individual tips upward and outward in a staggered pattern; one to the right, one to the left, one to the center. Stagger the tips, so they offset from the previous tips. (Fig. D)

On the front of the branch, look for sprigs that shoot out from the main branch and gently separate those from the main branch, so it looks as full as possible. Then continue spreading each tip, so you get layers of foliage, similar to the look of a real tree.

Curling some of the tips slightly upward is recommended to give the best support for hanging decorations.

Fluff and shape the shoots on the top section in a smooth slope, as it would look on a real evergreen tree.

After shaping the entire tree, you may need to shift branches and reshape some tips to help fill gaps. Remember, decorations will also help fill slight gaps.

STORAGE

1. Remove all decorations.
2. Disassemble the tree from top to bottom. Starting with the top section, gently lift straight upward to remove from the section below. Fold all branches toward the pole.
3. Repeat step 2 until all sections have been separated and the bottom section has been removed from the tree stand.
4. Carefully place all tree components into the original box and tape it shut.
5. Store in a cool, dry place away from sunlight. Exposing the tree to excessive heat or humidity may damage the tree.

! SAFETY STATEMENTS & WARNINGS !

- For indoor use only.
- Assemble on a flat, level surface.
- Keep tree a safe distance away from all heat sources such as, but not limited to, heat vents, gas or electric heaters, fireplaces, candles, etc.
- When decorating with lights, miniature or LED string lights are recommended.
 - Do not decorate with lights/decorations that become hot.
 - Never decorate with lights that have "C" size bulbs.
 - Unplug lights when leaving the house, retiring for the night, or if left unattended.
- Supervise children and pets at all times. Pulling or climbing on the tree may cause it to tip over.
- This item is not intended for permanent installation.

Any modification to the product or failure to follow recommended care will void the product warranty.

! WARNING!

Manufacturer and seller expressly disclaim any and all liability from personal injury, property damage or loss, whether direct or indirect, or incidental, resulting from the incorrect attachment, improper use, inadequate maintenance, or neglect of this product.