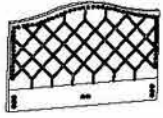


ASSEMBLY INSTRUCTION
ITEM NO.: 191B1882KN-1CK
CAL KING HEADBOARD

HEADBOARD LIST: (NOTE:HARDWARE PACK INSIDE THE CARTON OF 1882KN-1CK)



A: Headboard
1PC

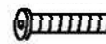
B: Leg
2PCS

C:LSF Wing
1PC

D:RSF Wing
1PC

E: Spring Washer
4PCS

F: Flat Washer
8PCS



G: Bolt M8*30mm
4PCS

H: Allen Key 5mm
1PC

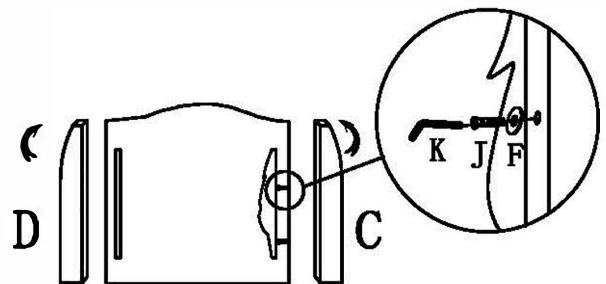
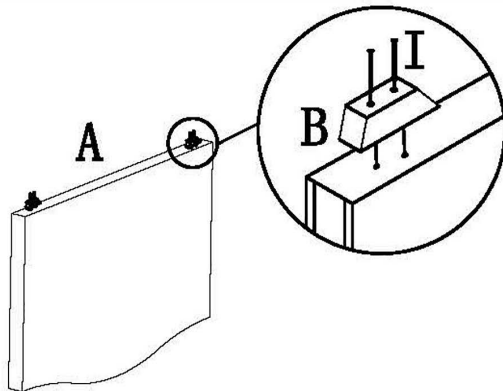
I: Screw 4.0*60mm
4PCS

J: Bolt M6*35mm
4PCS

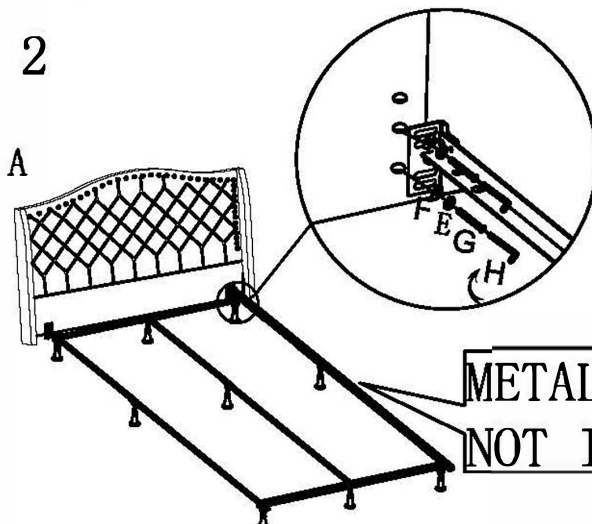
K: Allen Key 4mm
1PC

ASSEMBLY INSTRUCTION FOR 1882KN-1CK CAL KING HEADBOARD ONLY.
 NOTE: PLEASE DO NOT TIGHTEN ALL BOLTS UNTIL THE BED IS ASSEMBLED COMPLETELY.

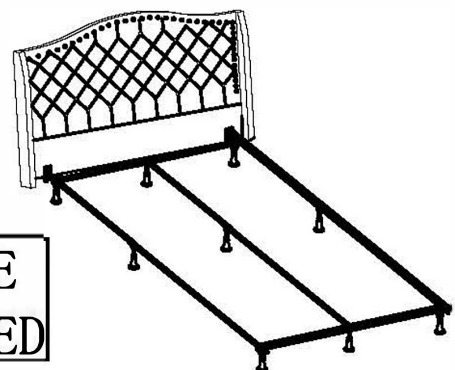
STEP 1



STEP 2



COMPLETED



METAL FRAME
NOT INCLUDED