

CARE AND MAINTENANCE

Store outdoor furniture indoors or cover well when not in use.

Remove wooden furniture from standing water. Dust regularly with small brush or vacuum

Spills should be taken care of immediately before they harden or stain with a slightly dampened sponge.

NOTICE

- * Please make sure that you have all parts indicated before you begin assembly of this item
- * This item should be assembled on a soft surface to prevent scratching the finish during assembly
- * This item may require periodic tightening



SAFAVIEH
OUTDOOR



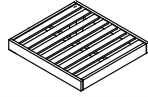


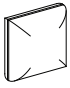





Weight Capacity : 600 Ibs

Warning : Do not stand on chair

Warning : Do not over torque bolts / screws

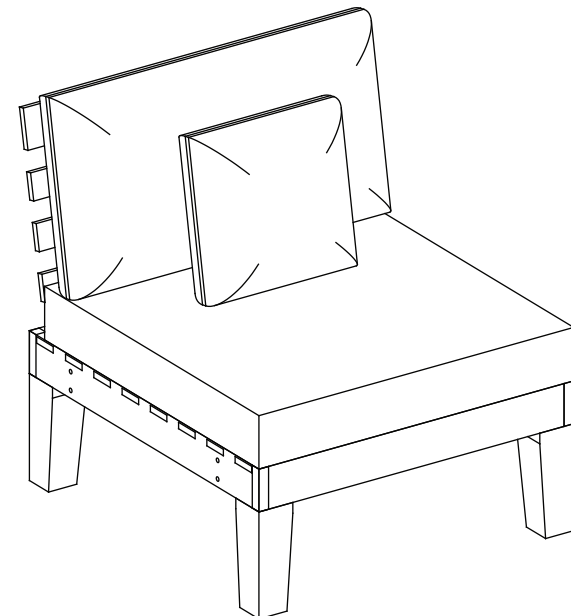


Part List and Hardware List

PIECE	DESCRIPTION	PICTURE	QUANTITY
A	Leg Frame		4X
B	Back frame		1X
C	Seat Frame		1X
D	Cushion Seat		1X
E	Cushion Back		1X
E1	Pillow		1X
F	Bolt	 M8x65	12X
G	Bolt	 M8x35	4X
H	Inset Nut	 M8x15	4X
I	Washer	 M8.5/20x2	12X
K	Allen key	 LG4	2X

Model# PAT7054A

Product Dimensions: 26.27" W x 29.92" D x 30.71" H



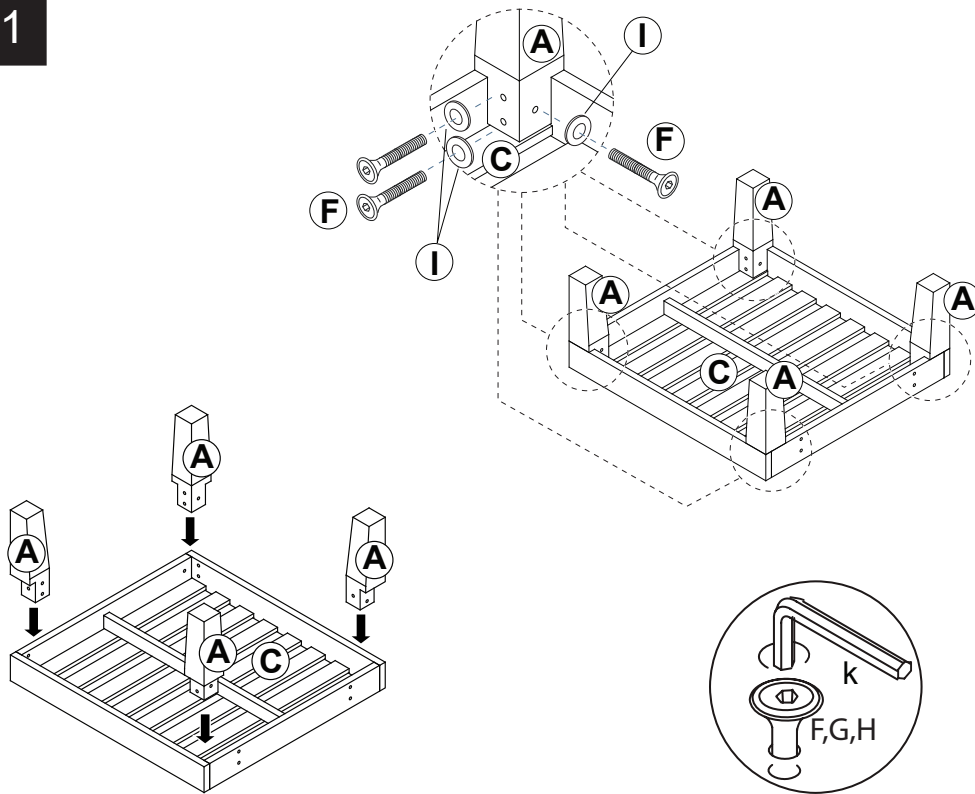
PREPARATION

Before beginning assembly of product, make sure all parts are present. Compare parts with package contents list and hardware contents list.
If any part is missing or damaged, do not attempt to assemble the product.

Estimated Assembly Time: 10 minutes.

Tools Required for Assembly (included): Allen Key

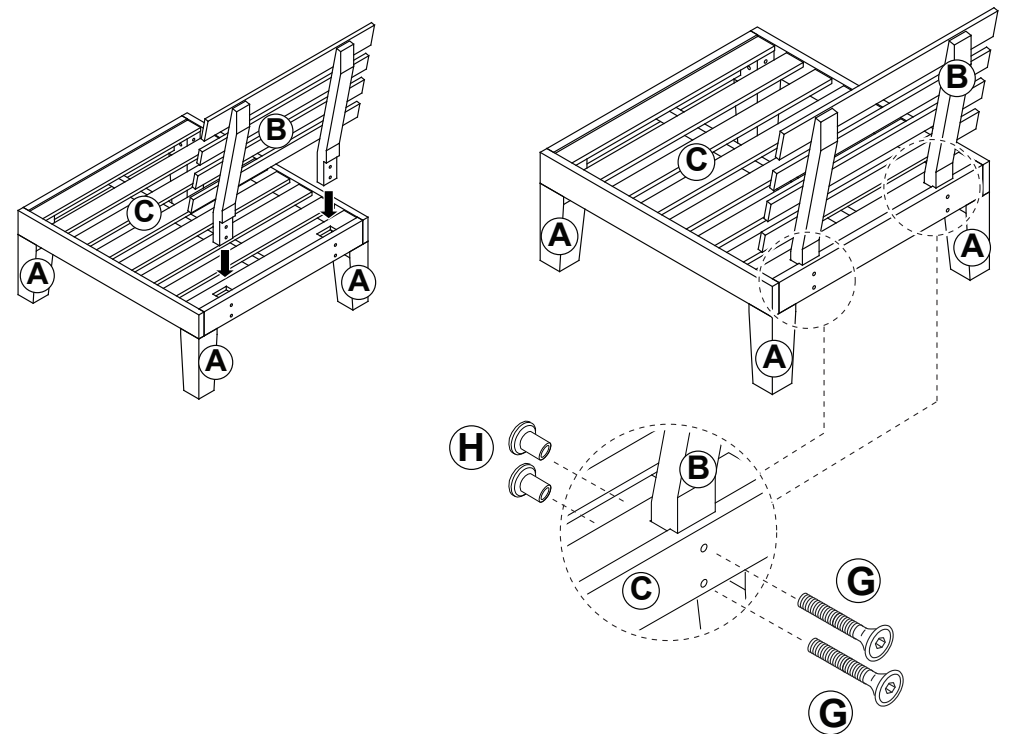
1



Step 1

Attach leg frame (A) to Frame seat (C), use Bolt (F) and Washer (I), tighten with allen key (K).

2



Step 2

Tighten Bolt (G) and Insert nut (H) with allen key (K) to attach seat frame (C) and back frame (B)

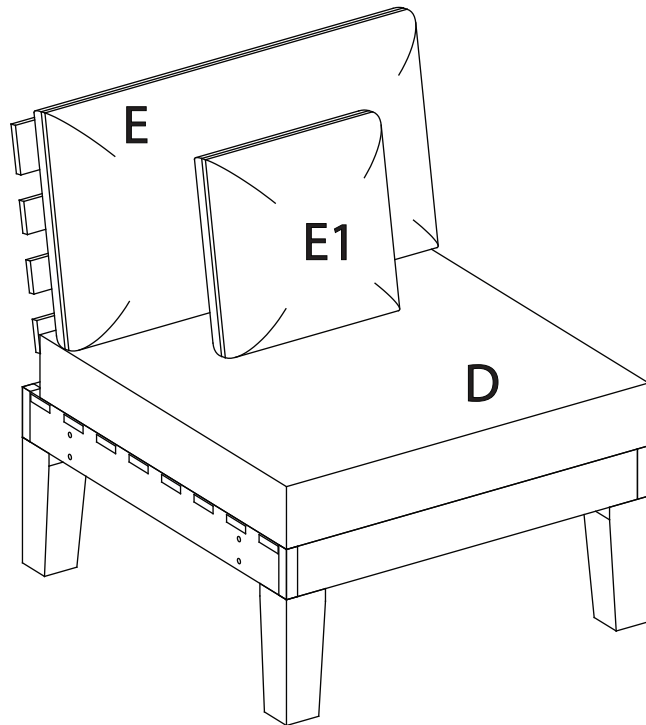
PREPARATION

Before beginning assembly of product, make sure all parts are present. Compare parts with package contents list and hardware contents list.
If any part is missing or damaged, do not attempt to assemble the product.

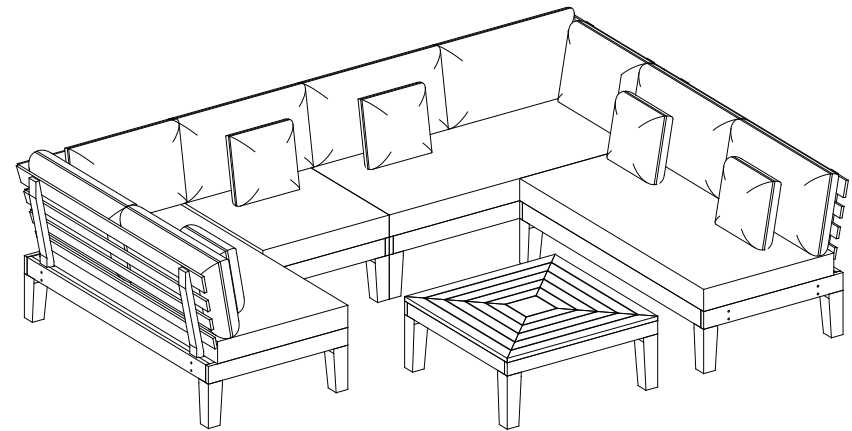
Estimated Assembly Time: 10 minutes.

Tools Required for Assembly (included): Allen Key

3



4



Step 3

Attach cushion seat and cushion back

Step 4

Complete