

NOTICE

- *Please make sure that you have all parts indicated and they are in good condition before you begin assembly of this item. Refer to part list and hardware list below for guidance.
- *This item should be assembled on a soft surface to prevent scratching the finish during assembly.
- *This item may require periodic tightening.
- *If you are having difficulty, our friendly Customer Care team is always here to help. Please email customersupport@safavieh.com

PREPARATION

- *Before beginning assembly of product, make sure all parts are present. Compare parts with part contents list and hardware contents list.
- *If any part is missing or damaged, do not attempt to assemble the product.
- *Estimated Assembly Time: 10 minutes.
- *Tools Required for Assembly (included): Allen Key

CARE AND MAINTENANCE

Store outdoor furniture indoors or cover well when not in use. Dust regularly with small brush or vacuum. Spills should be taken care of immediately before they harden or stain with a slightly damp sponge.



Model# PAT7509 - 1/2

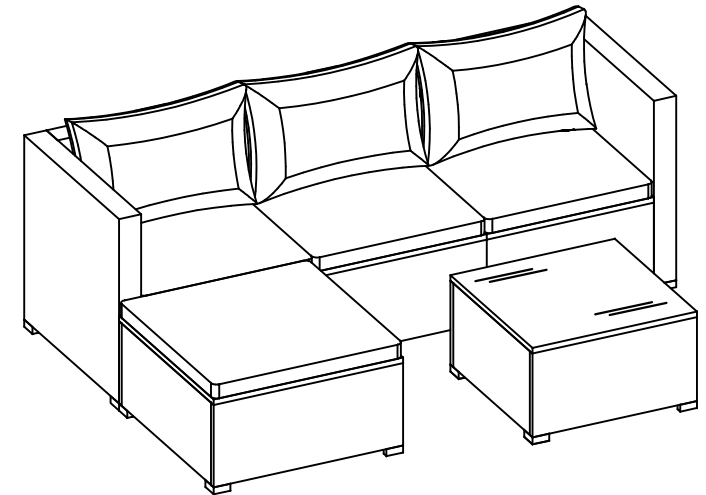
Product Dimensions:

26.77"x26.77x26.38"H (Corner Chair)

26.77"x51.57x26.38"H (Corner Bench)

26.77"x26.77x14.57"H (Stool)

26.77"x26.77x14.57"H (Table)



Weight capacity : 275 Lbs (single seat)

550 Lbs (two person seat)

Warning : Do not stand on Chair/bench/stool/table

Warning : Do not over torque bolts/screws

PREPARATION

*Before beginning assembly of product, make sure all parts are present. Compare parts with package contents list and hardware contents list.

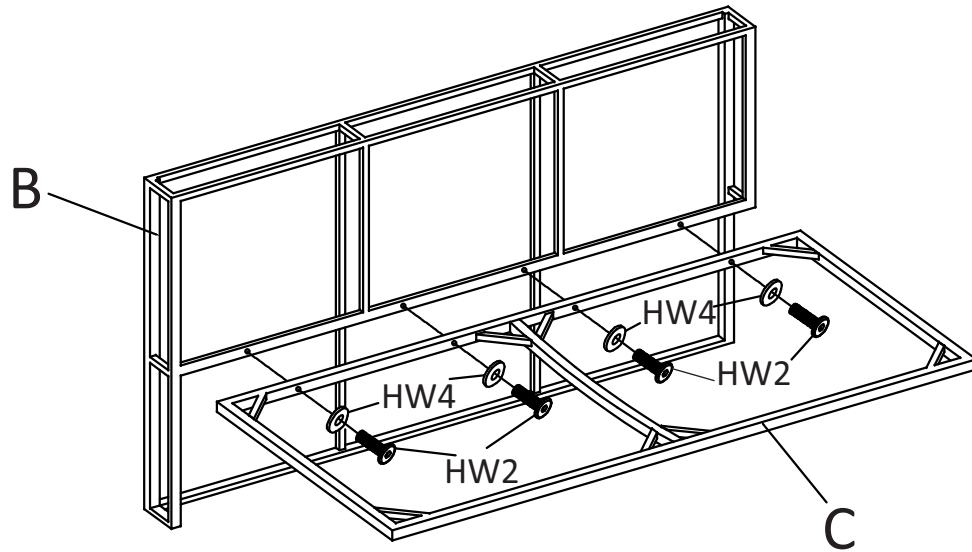
*If any part is missing or damaged, do not attempt to assemble the product.

*Estimated Assembly Time : 10 minutes.

*Tools Required for Assembly (included): Allen Key

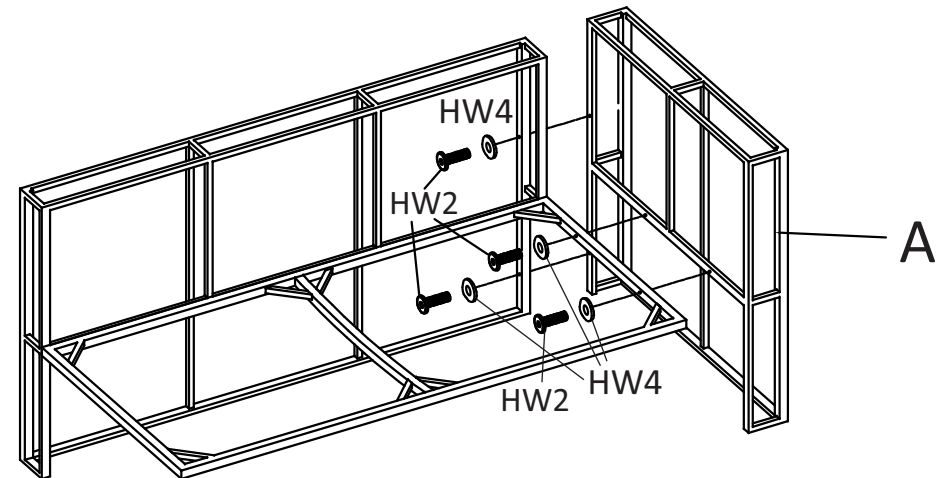
*If you are having difficulty, our friendly Customer care team is always here to help. Please email customersupport@safavieh.com

1



STEP 1
CONNECT BENCH BACK FRAME (B) & BENCH SEAT FRAME (C) & TIGHTEN
BOLT (HW2) WITH ALLEN KEY (HW5)

2



STEP 2
CONNECT PART FROM STEP 1 & LEFT FRAME (A) TIGHTEN BOLT (HW2)
WITH ALLEN KEY (HW5)

PREPARATION

*Before beginning assembly of product, make sure all parts are present. Compare parts with package contents list and hardware contents list.

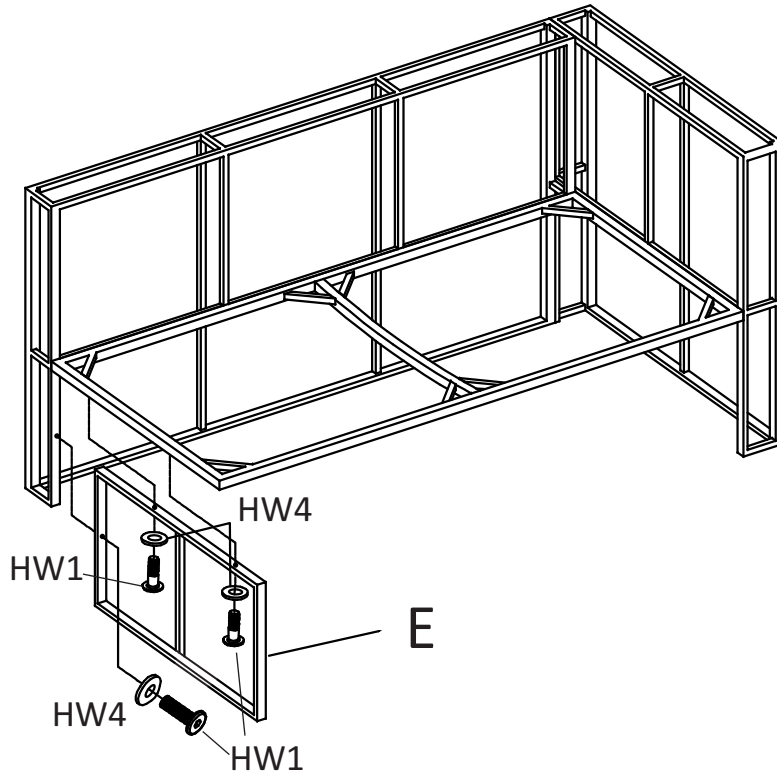
*If any part is missing or damaged, do not attempt to assemble the product.

*Estimated Assembly Time : 10 minutes.

*Tools Required for Assembly (included): Allen Key

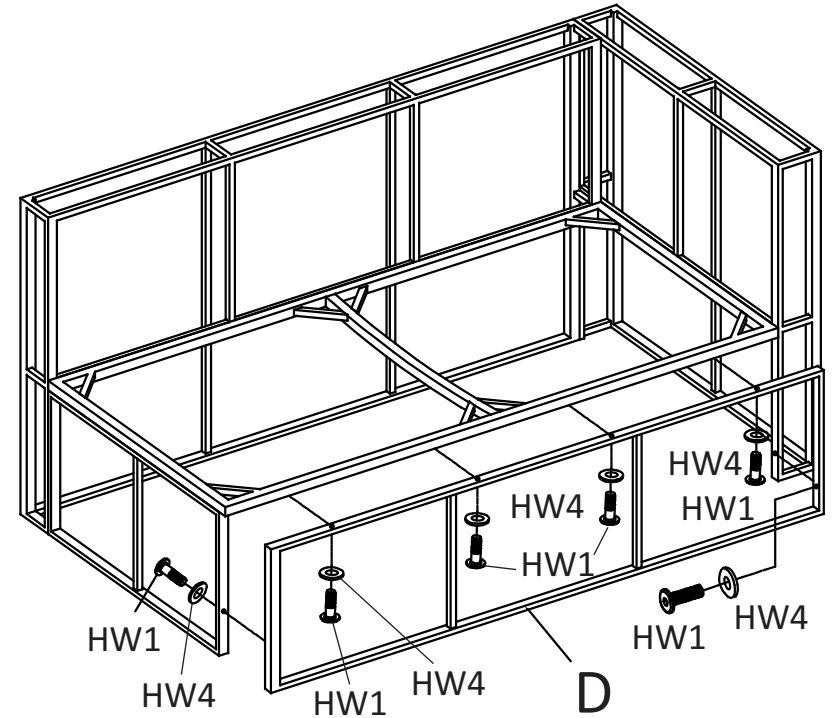
*If you are having difficulty, our friendly Customer care team is always here to help. Please email customersupport@safavieh.com

3



STEP 3
CONNECT PART FROM STEP 2 & FROM RIGHT FRAME (E) TIGHTEN BOLT (HW1)
WITH ALLEN KEY (HW5)

4



STEP 4
CONNECT PART FROM STEP 3 & BENCH FRONT FRAME (D) TIGHTEN
BOLT (HW1) WITH ALLEN KEY (HW5)

PREPARATION

*Before beginning assembly of product, make sure all parts are present. Compare parts with package contents list and hardware contents list.

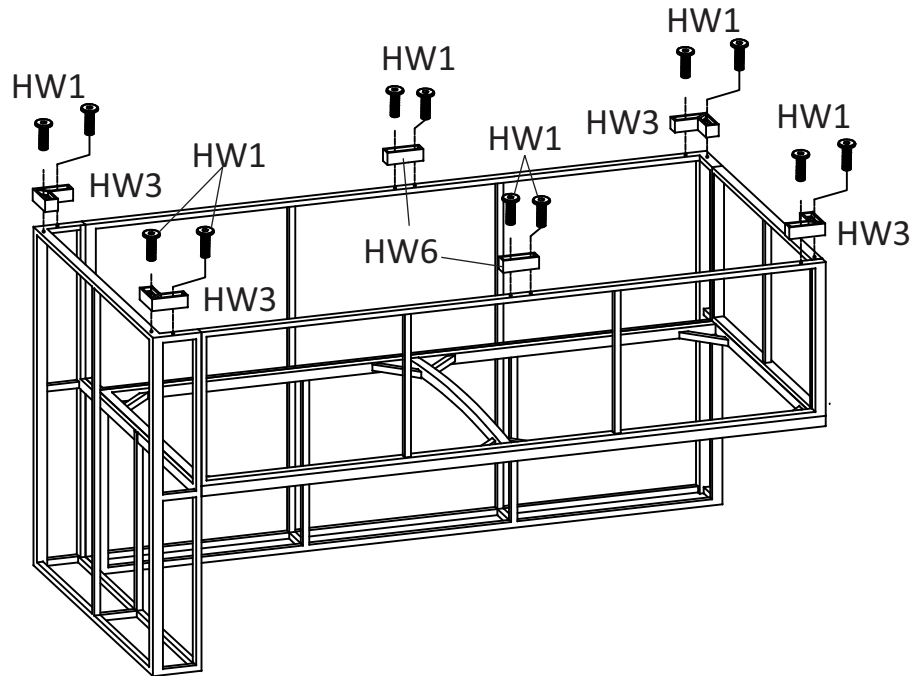
*If any part is missing or damaged, do not attempt to assemble the product.

*Estimated Assembly Time : 10 minutes.

*Tools Required for Assembly (included): Allen Key

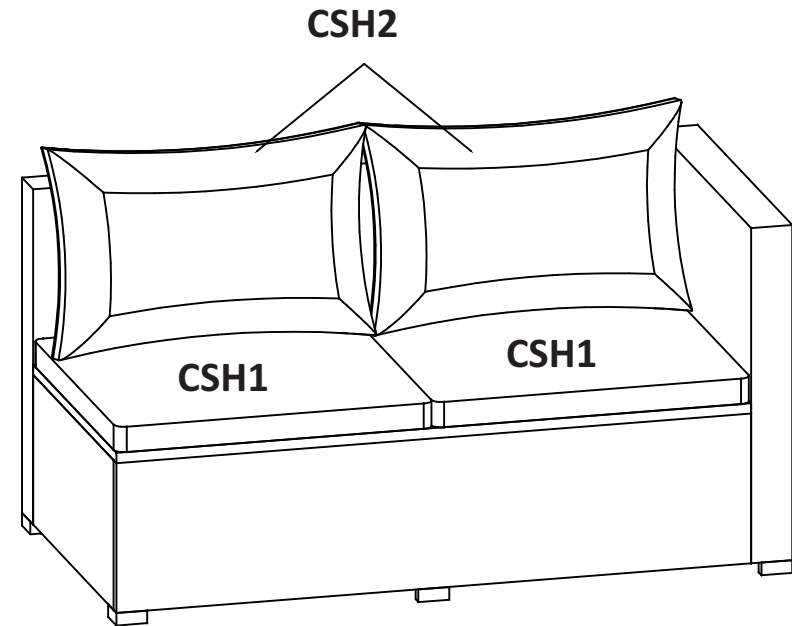
*If you are having difficulty, our friendly Customer care team is always here to help. Please email customersupport@safavieh.com

5



STEP 5
CONNECT PART FROM STEP 4 & PLASTIC FEET 1 (HW3), PLASTIC FEET 2 (HW6)
TIGHTEN BOLT (HW1) WITH ALLEN KEY (HW5)

6















STEP 6
PUT ON BECH CUSHION (CSH1) & BENCH BACK CUSHION (CSH2) TO
COMPLETE BENCH

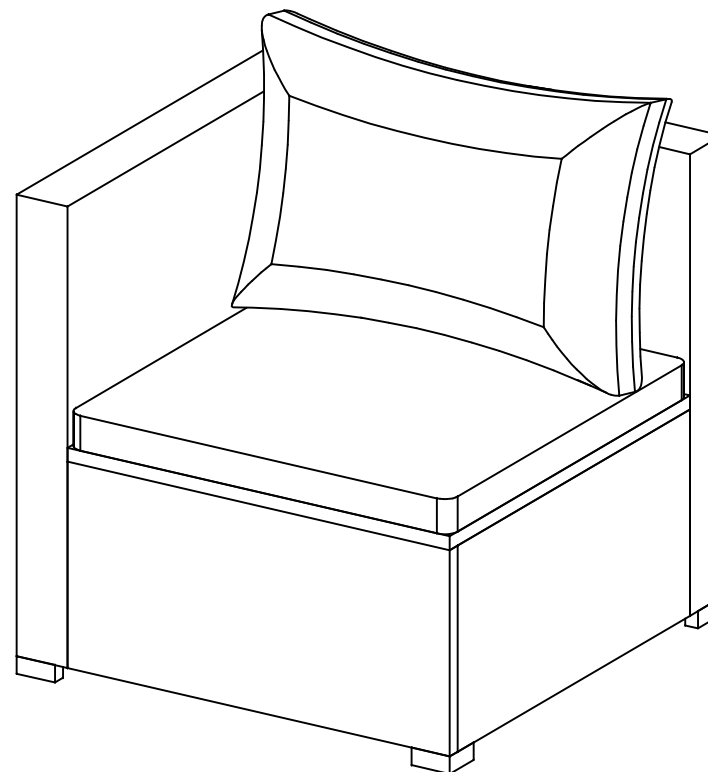
CARE AND MAINTENANCE

Insert Care and Maintenance here

 **SAFAVIEH**
O U T D O O R

Part List and Hardware List

PIECE	DESCRIPTION	PICTURE	QUANTITY
F	Corner right frame		1X
G	Corner back frame		1X
H	Corner seat frame		1X
I	Corner front frame		1X
J	Front left frame		1X
CSH3	Corner seat cushion		1X
CSH4	Corner back cushion		1X
HW1	Allen bolt(M6x30 mm)		15X
HW2	Allen bolt(M6x40 mm)		6X
HW3	Plastic feet 1		4X
HW4	Flat washer		13X
HW5	Allen key		1X



PREPARATION

*Before beginning assembly of product, make sure all parts are present. Compare parts with package contents list and hardware contents list.

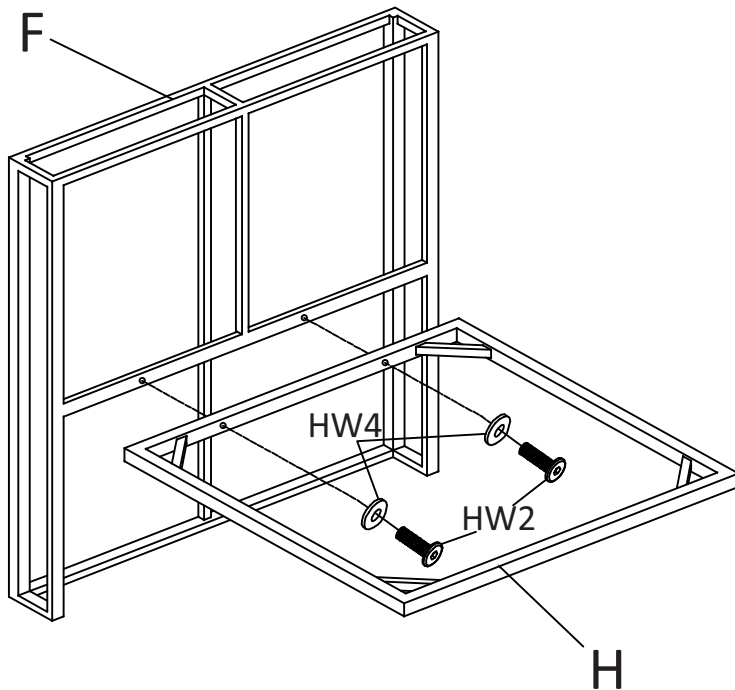
*If any part is missing or damaged, do not attempt to assemble the product.

*Estimated Assembly Time : 10 minutes.

*Tools Required for Assembly (included): Allen Key

*If you are having difficulty, our friendly Customer care team is always here to help. Please email customersupport@safavieh.com

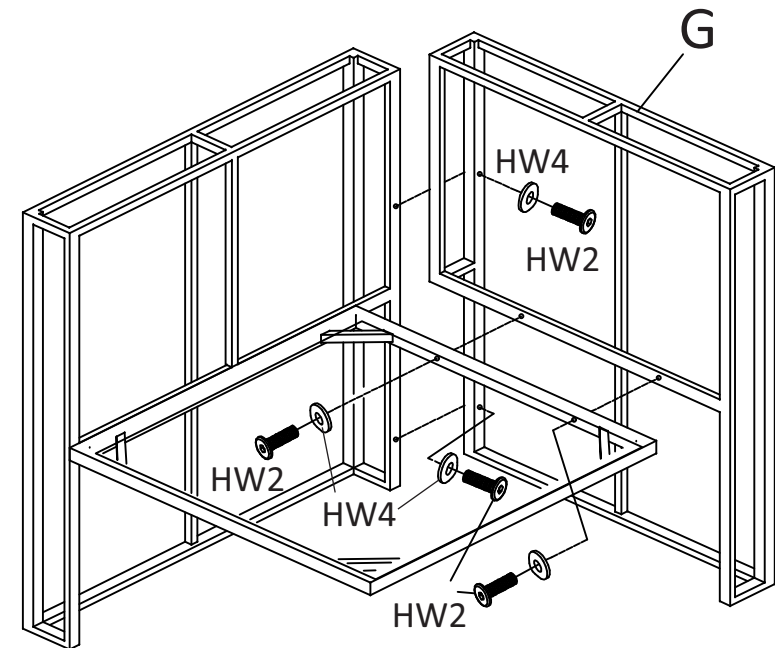
1



STEP 1

CONNECT CORNER RIGHT FRAME (F) & CORNER SEAT FRAME (H) & TIGHTEN BOLT (HW2) WITH ALLEN KEY (HW5)

2



STEP 2

CONNECT PART FROM STEP 1 & CORNER BACK FRAME (G) TIGHTEN BOLT (HW2) WITH ALLEN KEY (HW5)

PREPARATION

*Before beginning assembly of product, make sure all parts are present. Compare parts with package contents list and hardware contents list.

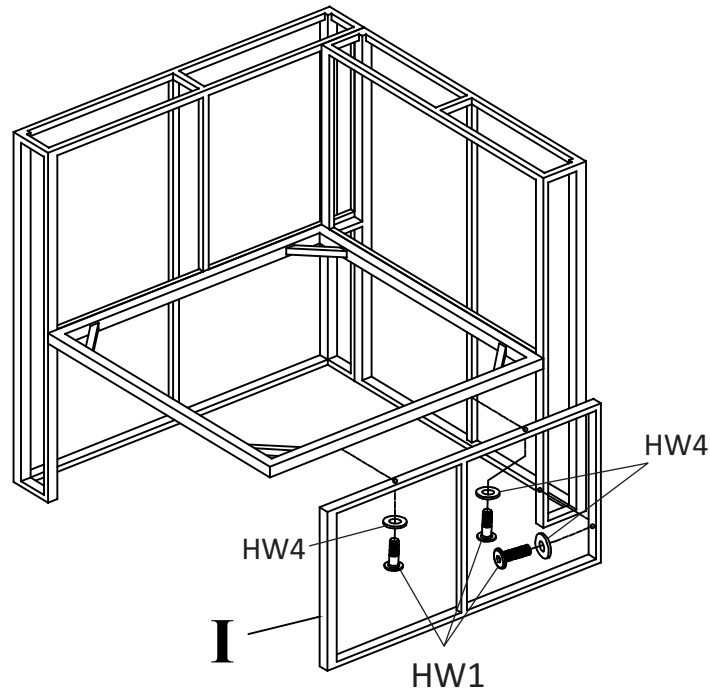
*If any part is missing or damaged, do not attempt to assemble the product.

*Estimated Assembly Time : 10 minutes.

*Tools Required for Assembly (included): Allen Key

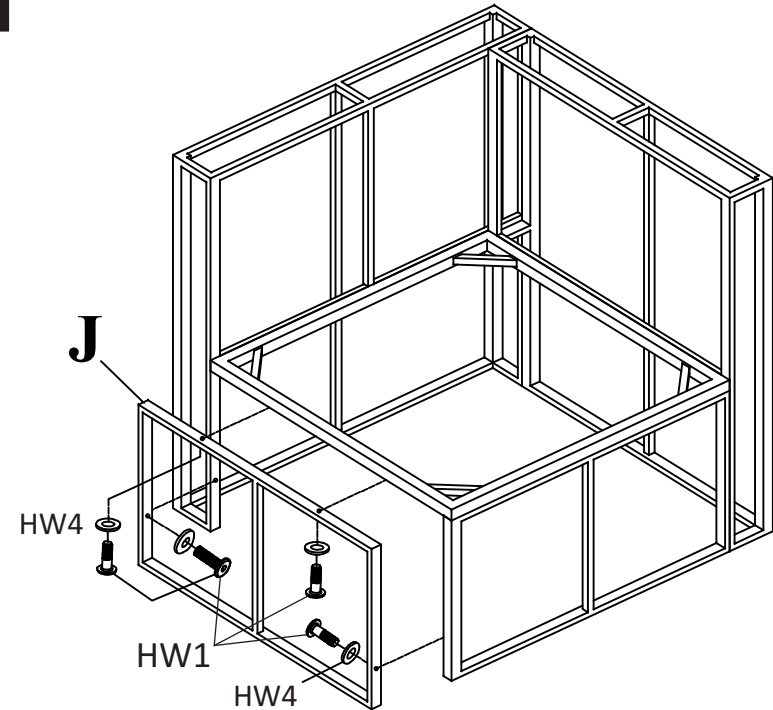
*If you are having difficulty, our friendly Customer care team is always here to help. Please email customersupport@safavieh.com

3



STEP 3
CONNECT PART FROM STEP 2 & CORNER FRONT FRAME (I) TIGHTEN BOLT (HW1) WITH ALLEN KEY (HW5)

4



STEP 4
CONNECT PART FROM STEP 3 & FRONT LEFT FRAME (J) TIGHTEN BOLT (HW1) WITH ALLEN KEY (HW5)

PREPARATION

*Before beginning assembly of product, make sure all parts are present. Compare parts with package contents list and hardware contents list.

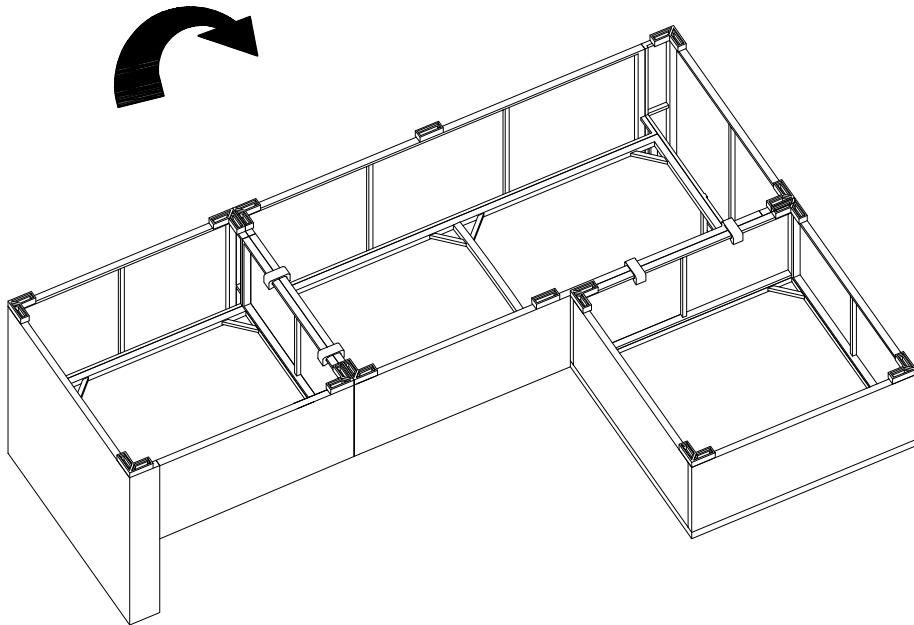
*If any part is missing or damaged, do not attempt to assemble the product.

*Estimated Assembly Time : 10 minutes.

*Tools Required for Assembly (included): Allen Key

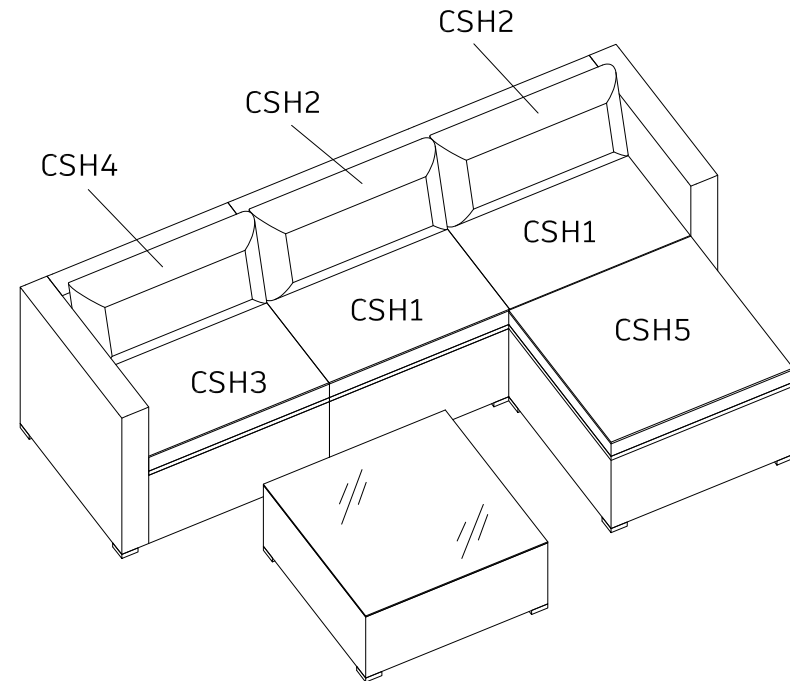
*If you are having difficulty, our friendly Customer care team is always here to help. Please email customersupport@safavieh.com

7



STEP 7

8



STEP 8