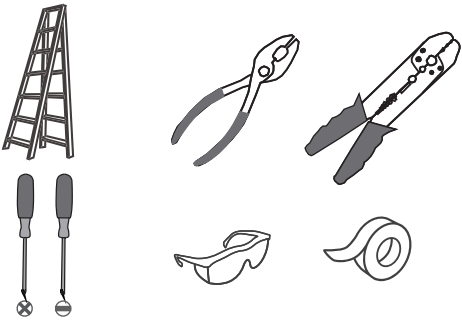
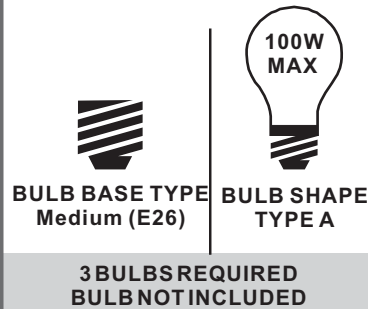


Tools Required



Light Source



Warnings and Cautions

Turn off the electricity at the circuit breaker before installation. Consult a licensed electrician if in doubt about installation.

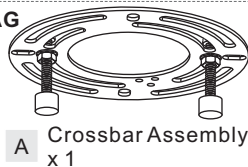
Turn off power to the fixture and allow the bulbs to cool before replacing.

Package Contents

Preparation: Identify and inspect all parts before beginning the installation.

Missing or damaged parts? Contact your original place of purchase.

PARTS BAG



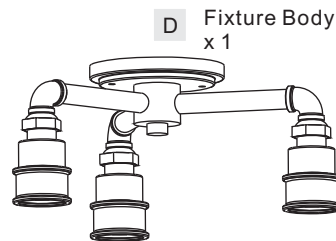
A Crossbar Assembly x 1



B Outlet Box Screw x 2



C Wire Connector x 3



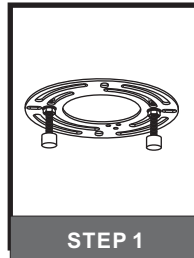
D Fixture Body x 1



E Shade x 3

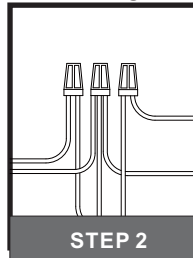
Table of Contents

Crossbar Assembly



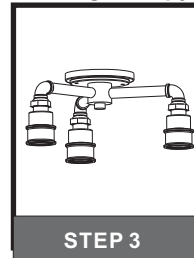
STEP 1

Wiring



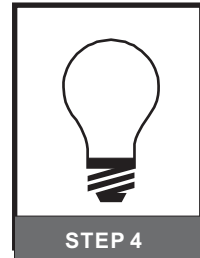
STEP 2

Ceiling Canopy



STEP 3

Bulb

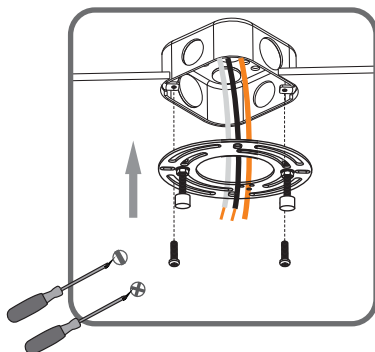


STEP 4

STEP 1

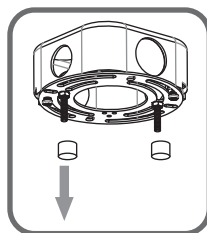
1

Step 1
Install crossbar assembly

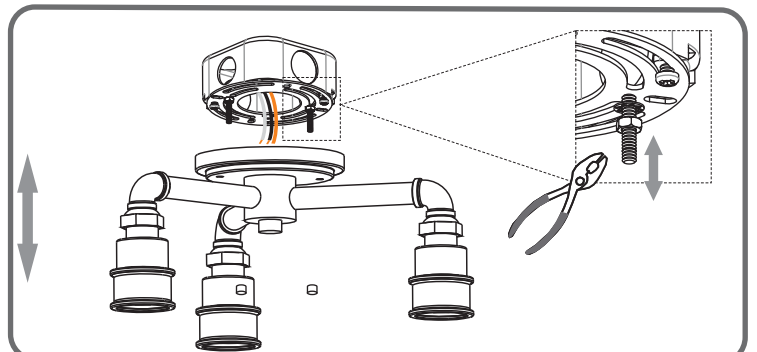


2

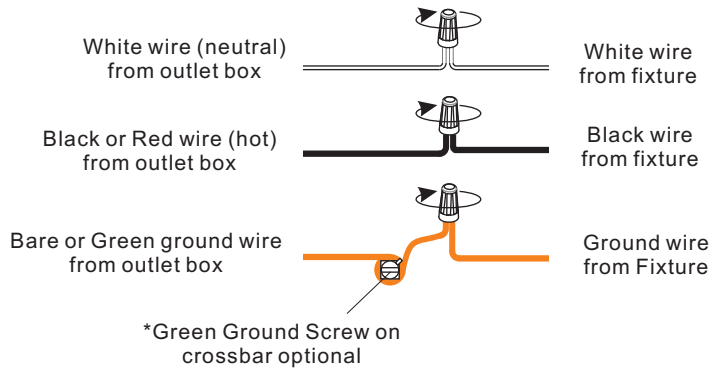
Step 2 - 3
Test fitting ceiling canopy to mounting screws



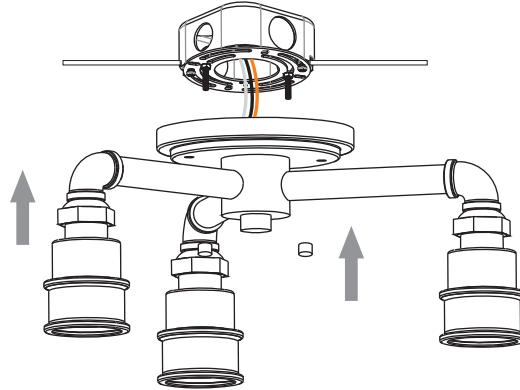
3



STEP 2

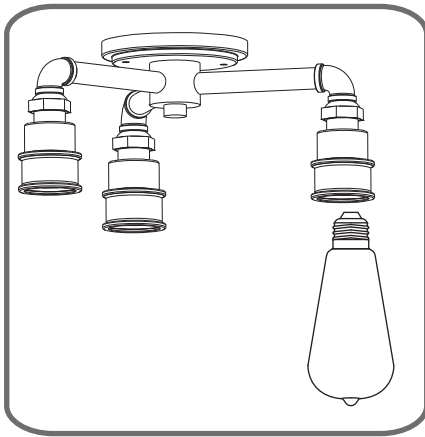


STEP 3



STEP 4

OPTION 1



OPTION 2

