

Assembly Instruction

ITEM NO.: 194S9405BR/GY-2

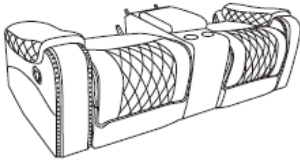


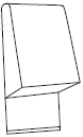


DOUBLE GLIDER RECLINING LOVESEAT WITH CONSOLE, RECEPTACLES AND USB PORT



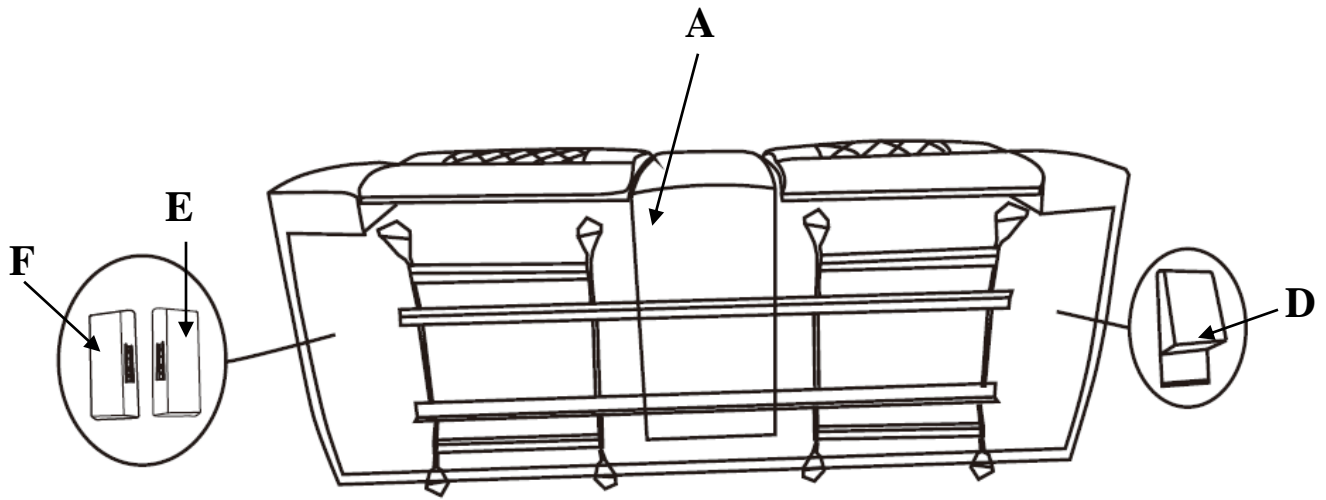
The parts stored in the bottom of the sofa, please take out for assembly

NOTE: Do not use power tools for assembly. Power tools increase the risk of over tightening which leads to splitting or cracking the wood.

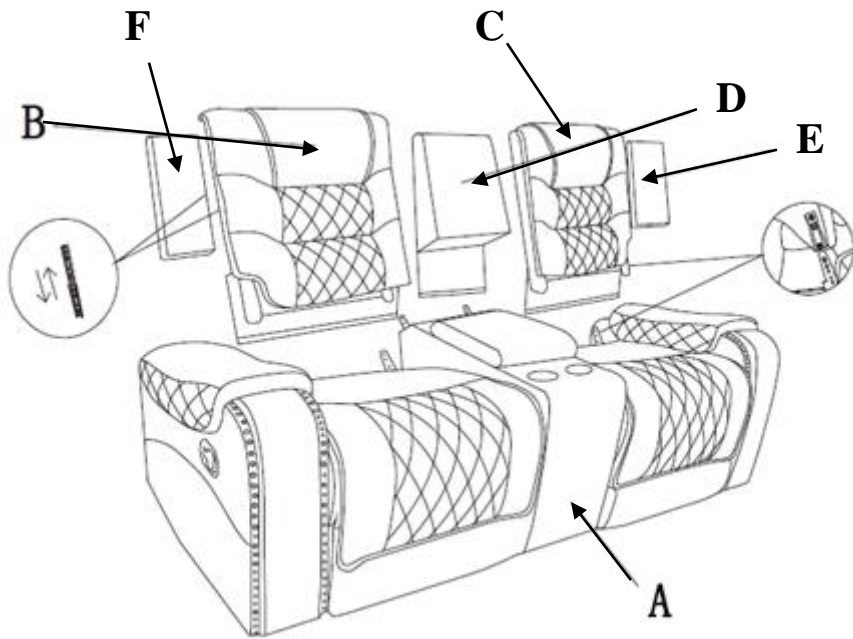
COMPONENT LIST (LOVE SEAT)

NO.	DRAWING	QTY	DESCRIPTION
A		1	SEAT
B		1	LEFT BACK REST
C		1	RIGHT BACK REST
D		1	CONSOLE BACKREST
E		1	RIGHT EAR
F		1	LEFT EAR

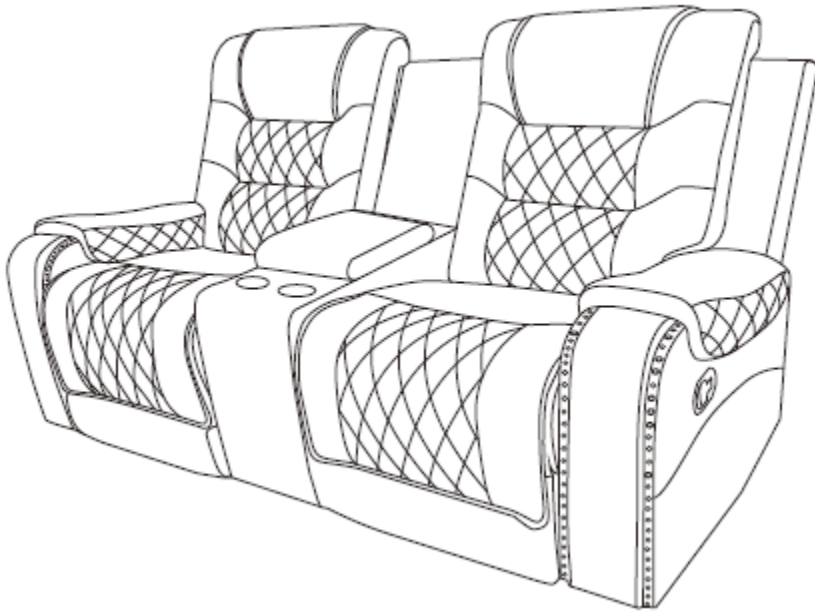
STEP# 1



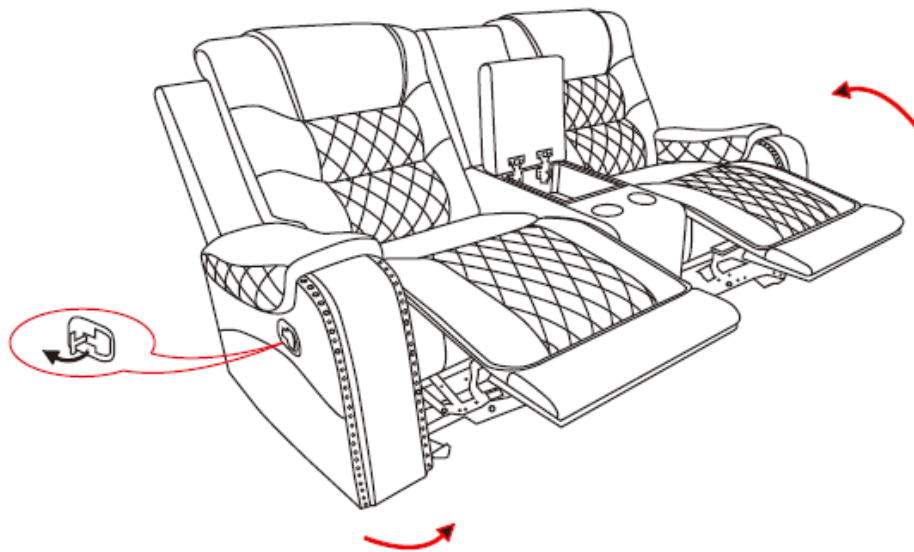
STEP# 2



STEP# 3



STEP# 4



Care Instruction for Polished Microfiber Match Furniture.

In order to maintain the original appearance of your polished microfiber match furniture, please follow below simple care procedures:

- Avoid exposing furniture directly to sunlight or heating and air conditioning outlets. Sunlight and/or exposure to heating and air conditioning outlets will fade/damage Leather gel match.
- Vacuum or wipe with a soft brush to remove dust.

For items use on wooden floor, hard surfaces or carpets, it is recommended to Install protective pads under all legs and supports to avoid/prevent from damages/scratches and discoloration.



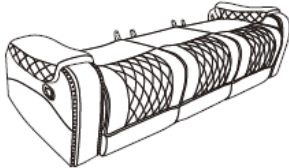





Assembly Instruction
ITEM NO.: 194S9405BR/GY-3
DOUBLE RECLINING SOFA WITH DROP-DOWN CUP
HOLDERS, RECEPTACLES AND USB PORTS



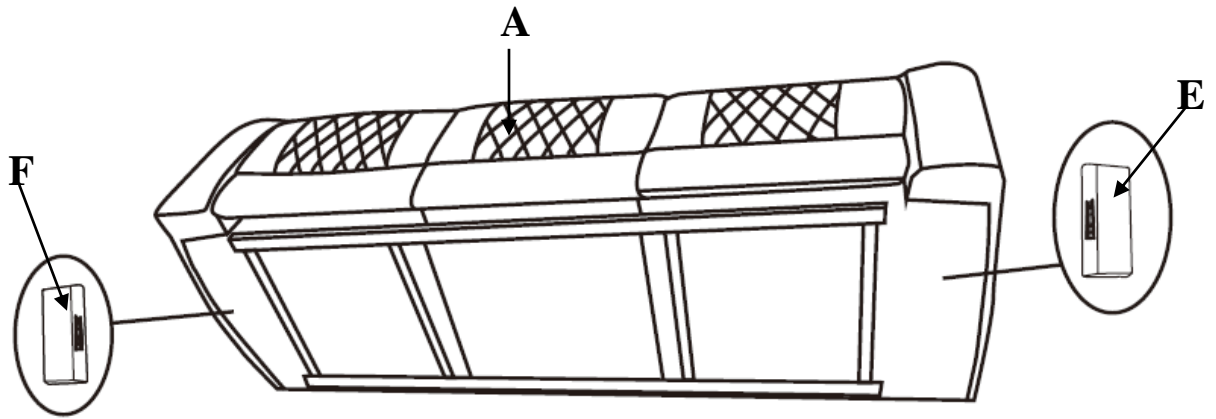
The parts stored in the bottom of the sofa, please take out for assembly

NOTE: Do not use power tools for assembly. Power tools increase the risk of over tightening which leads to splitting or cracking the wood.

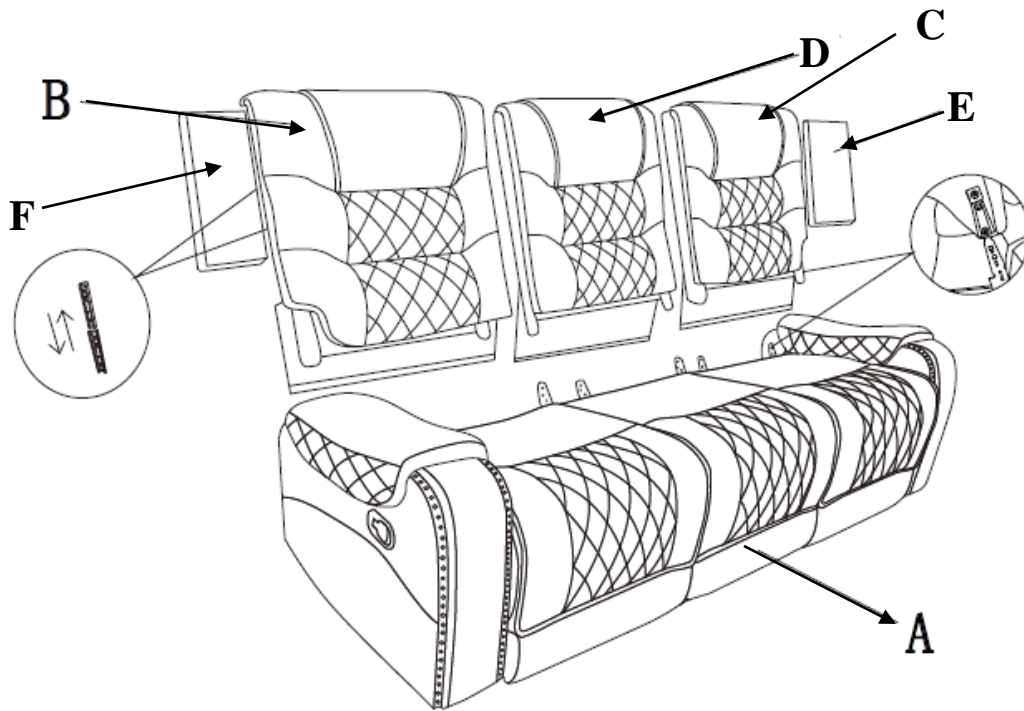
COMPONENT LIST (SOFA)

NO.	DRAWING	QTY	DESCRIPTION
A		1	SEAT
B		1	LSF BACK REST
C		1	MIDDLE BACKREST RSF BACK REST
D		1	MIDDLE BACKREST
E		1	RIGHT EAR
F		1	LEEF EAR

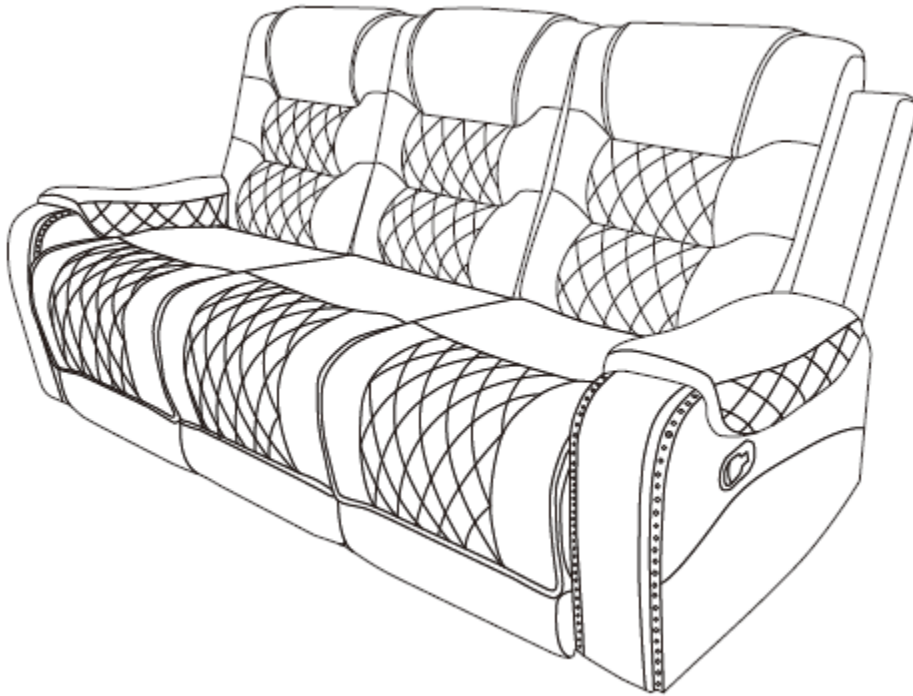
STEP# 1



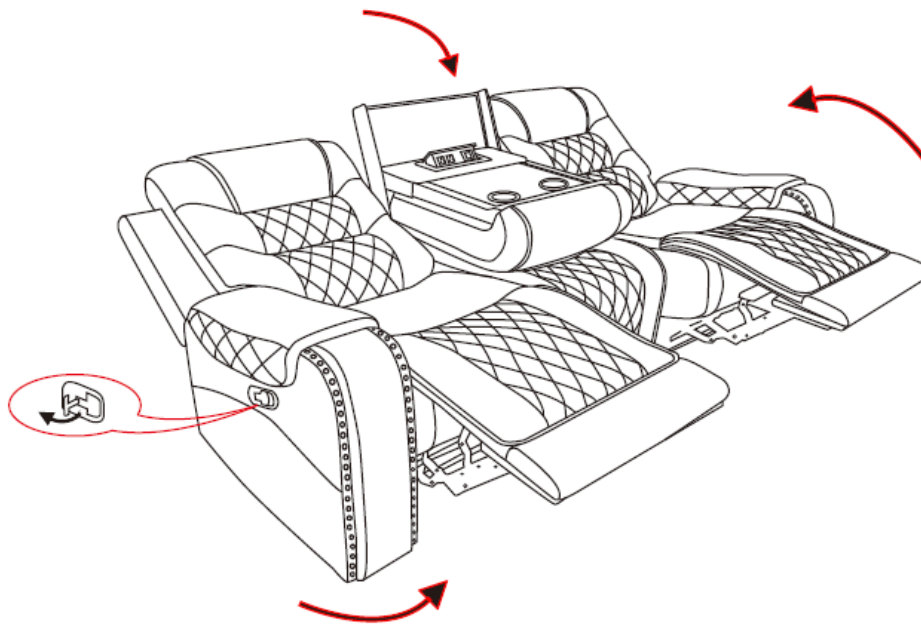
STEP# 2



STEP# 3



STEP# 4



Care Instruction for Polished Microfiber Match Furniture.

In order to maintain the original appearance of your polished microfiber match furniture, please follow below simple care procedures:

- Avoid exposing furniture directly to sunlight or heating and air conditioning outlets. Sunlight and/or exposure to heating and air conditioning outlets will fade/damage Leather gel match.
- Vacuum or wipe with a soft brush to remove dust.

For items use on wooden floor, hard surfaces or carpets, it is recommended to Install protective pads under all legs and supports to avoid/prevent from damages/scratches and discoloration.

