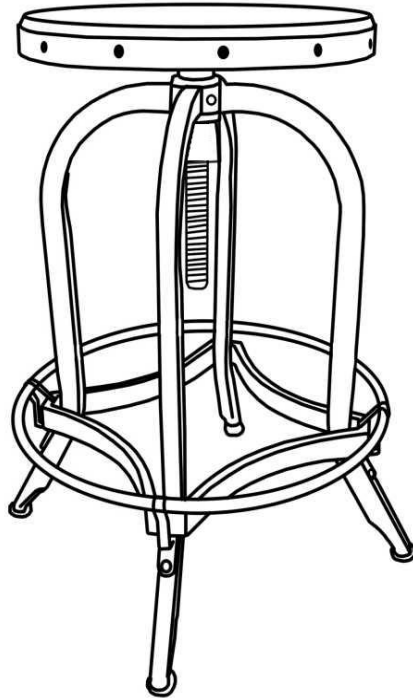


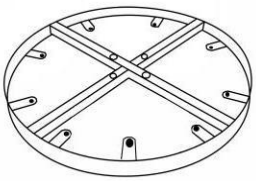
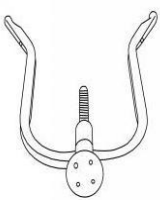
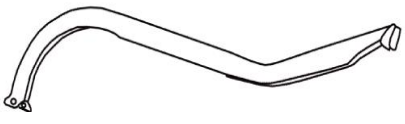
# Assembly Instructions

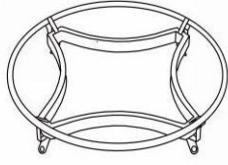
Caution : You must read this before you proceed

## Barstool


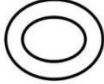
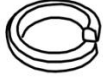
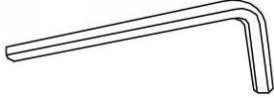
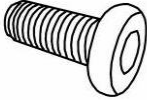
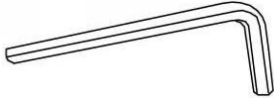
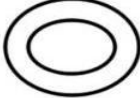
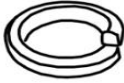



### Parts List

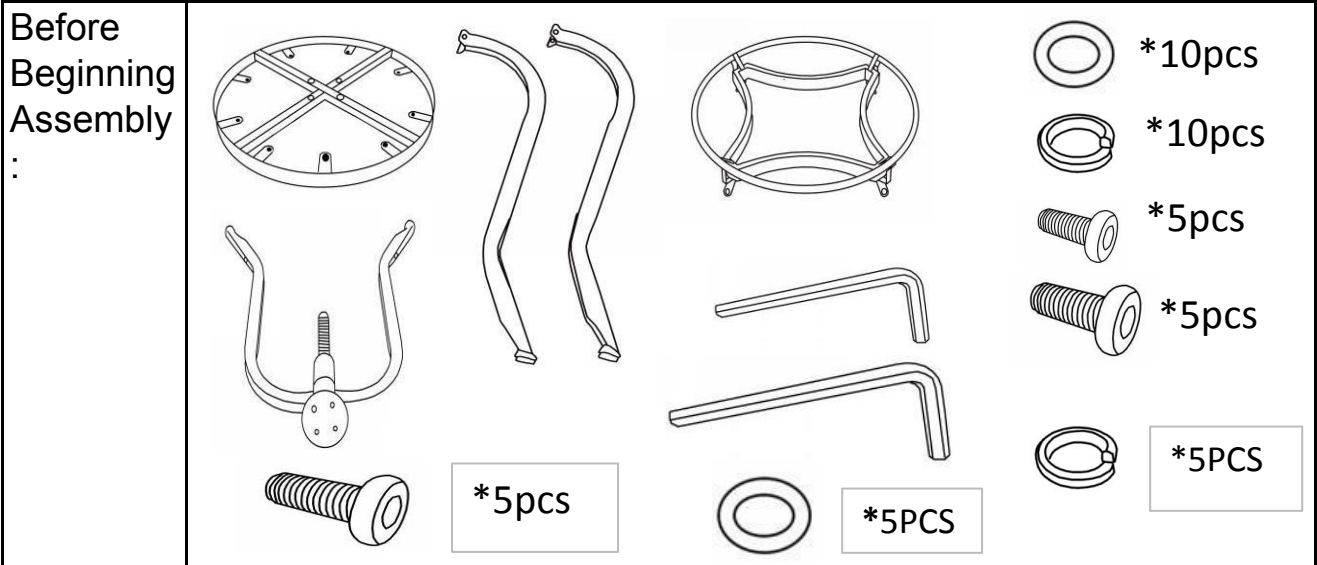
Label	Picture	Description	QTY
A		Barstool Seat	1
B		Barstool Leg Frame with Thread Rod	1
C		Barstool Leg	2

D		Footrest	1
---	---	----------	---

## Hardware

Label	Picture	Description	QTY
①		Bolt(M6*16mm)	5
②		Washer(M6)	10
③		Spring Washer(M6)	10
④		Allen Wrench(M6)	1
⑤		Bolt(M8*16mm)	5
⑥		Allen Wrench(M8)	1
⑦		Washer(M8)	5
⑧		Spring Washer(M8)	5
⑨		Bolt(M6*20mm)	5

## Assembly Preparation



- Read instructions, cover to cover-



- Have 2 adults on hand for assembly-



- Do not assemble on flooring or carpet-



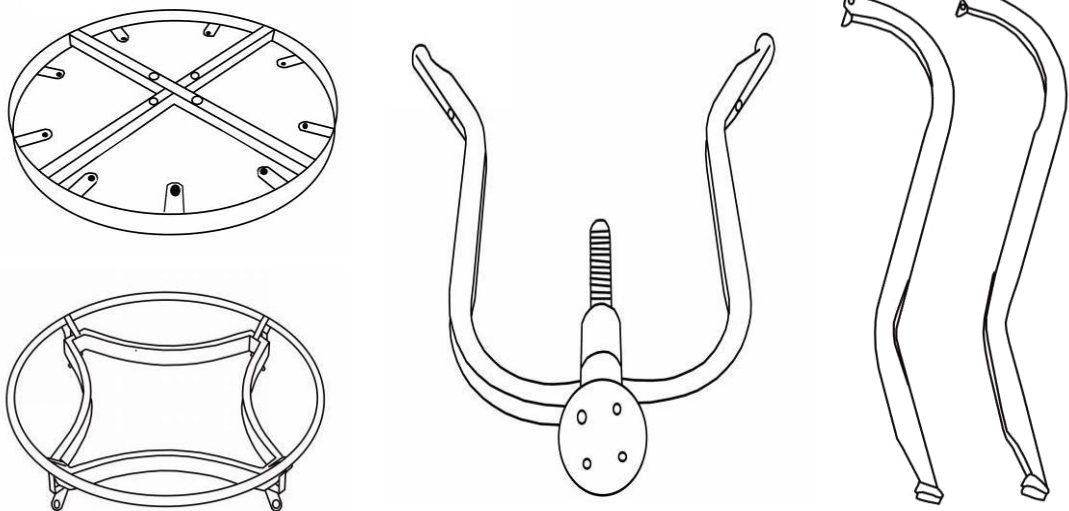
- Assemble on a clean non-marring surface (packing foam)-



- Save all packaging until finished-

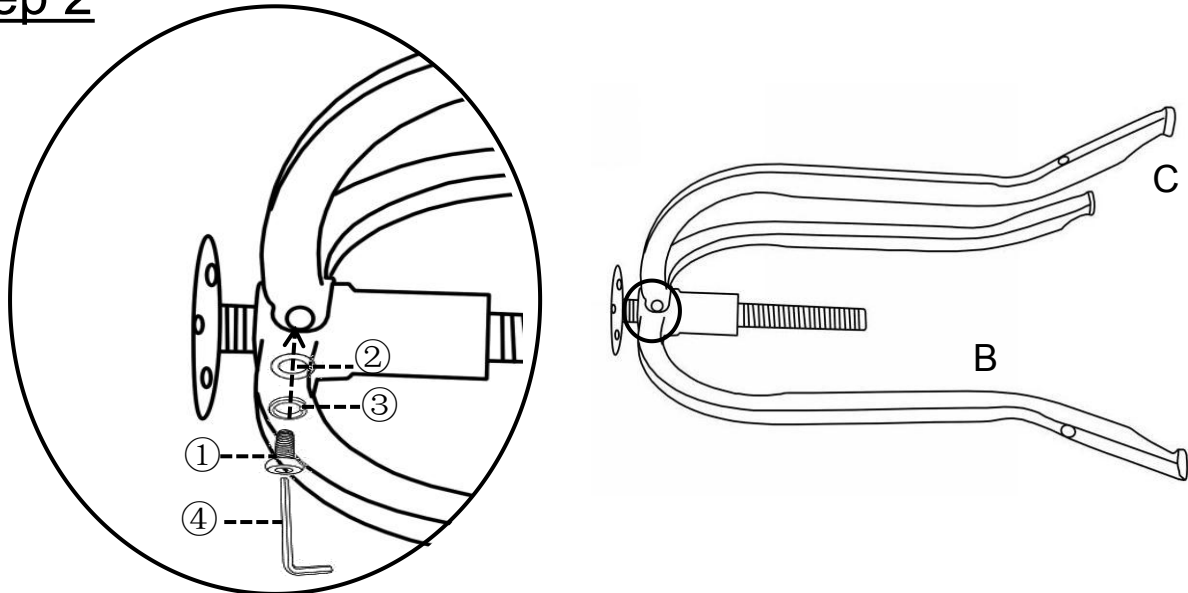
## Assembly Steps

### Step 1



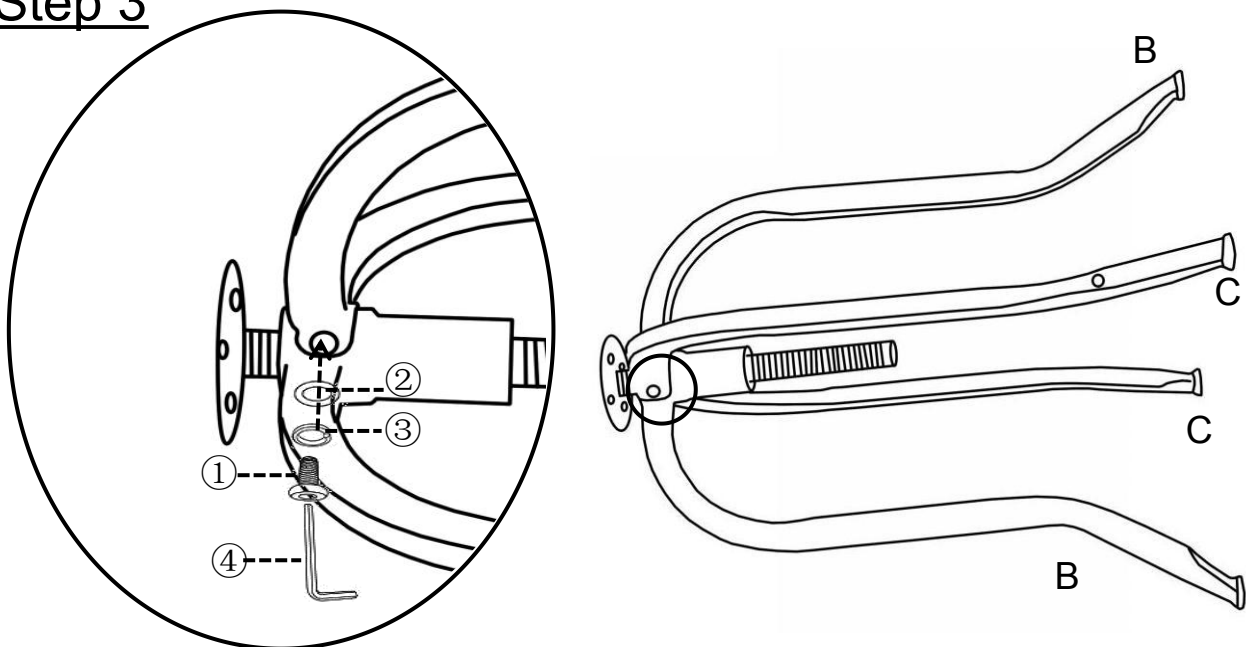
Place the above components on a clean and soft surface.

## Step 2



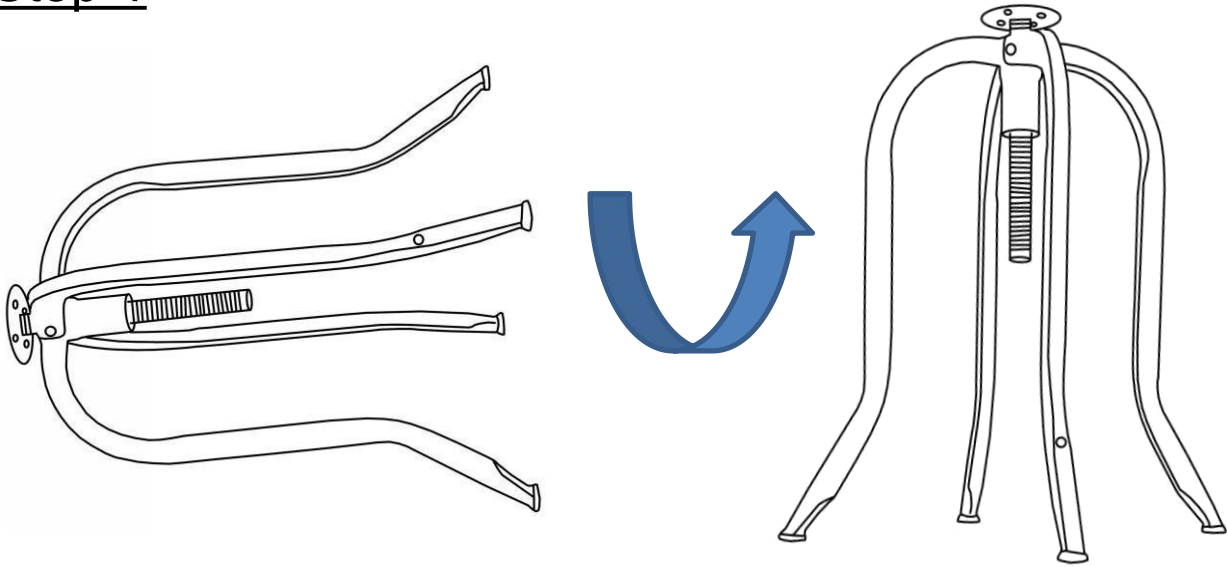
Attach the Barstool Leg(C) to the Barstool Leg frame with the Thread Rod(B) using the Bolts(①), Washers(②) and Spring Washers(③) with the Allen Wrench(④), then bolt in the other side of the Barstool Leg(C).  
Do not fully tighten the bolts.

## Step 3



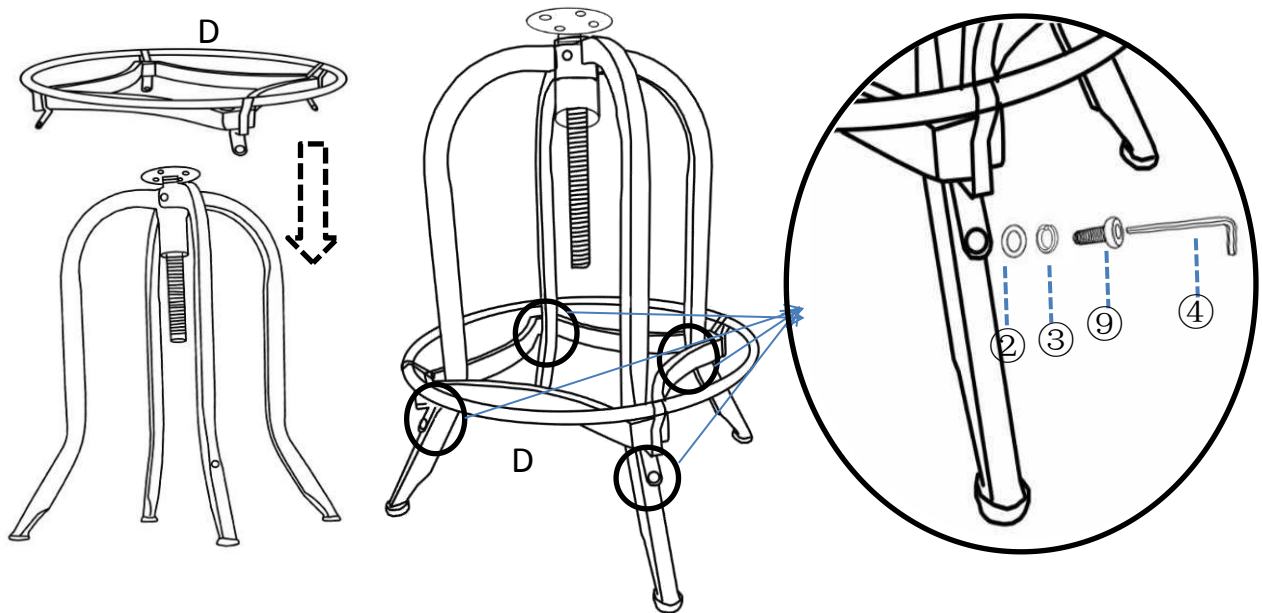
Repeat Step 2 to assemble the other Barstool Leg(C) to the Barstool Leg frame with the Thread Rod (B) using the Bolts(①), Washers(②) and Spring Washers(③) with the Allen Wrench(④), then bolt in the other side of the Barstool Leg(C).  
Do not fully tighten the bolts.

## Step 4



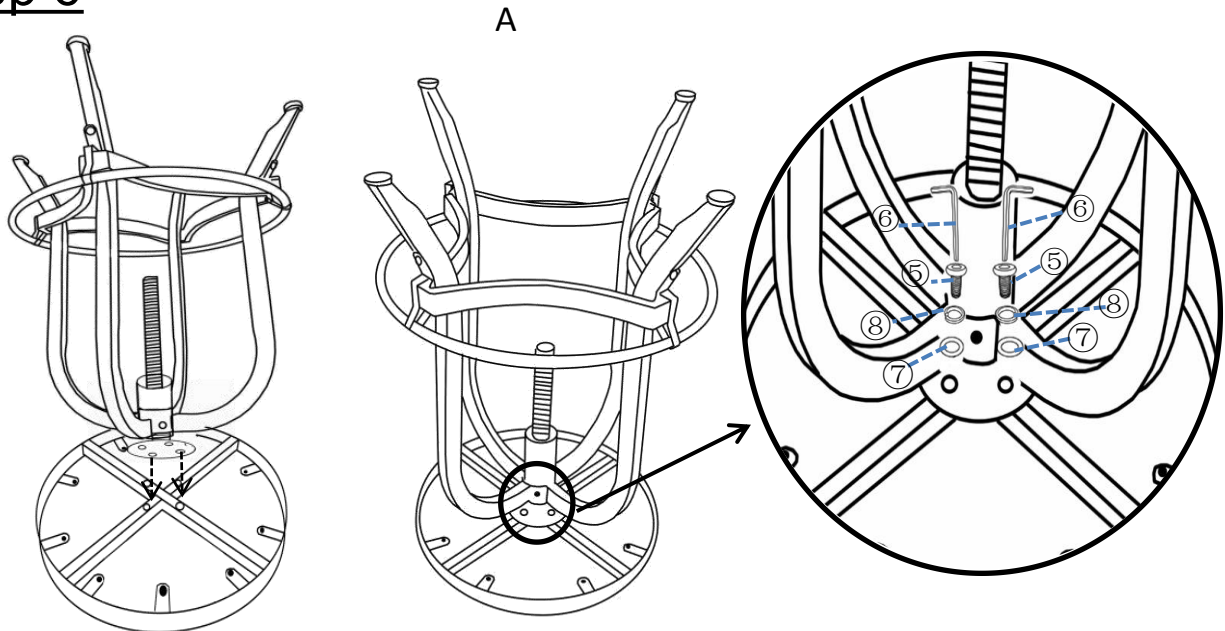
Stand up the assembled Barstool frame as shown above.

## Step 5



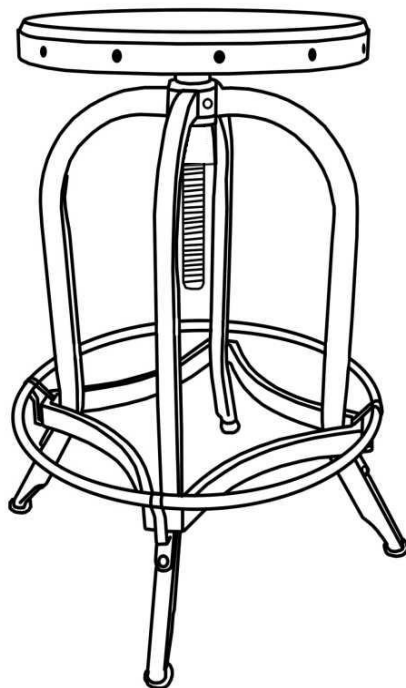
Attach the Footrest(D) to the assembled Barstool frame(B.C) using the Bolts(⑨), Washers(②) and Spring Washers(③) with the Allen Wrench(④). Tighten all bolts sequentially.

## Step 6



Attach the Barstool Seat(A) to the assembled Barstool frame(B.C.D) using the Bolts(⑤), Washers(⑦) and Spring Washers(⑧) with the Allen Wrench(⑥) . Tighten all bolts.

## Step 7



Your barstool is ready to use.  
This Barstool can only be used on a flat, level surface.

## Care & Maintenance



- Furniture may scratch floors. We recommend using furniture pads to protect your floors.



- Do not put hot items directly on furniture surface.



- Do not clean furniture with harsh cleansers or polish.



- Do not place furniture under direct sunlight.



- Do not place furniture near heating or cooling vents.



- Do not write on furniture without a padded barrier to protect the surface.



- Do not place furniture outside . For indoor use only.



- Not for commercial use. For residential use only.



- Stains may be removed with mild soap solution and damp cloth.



- Children should not climb or jump on the furniture.



- Dust and pick-up spills using a clean, non-colored, lint-free cloth.