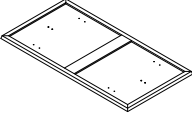
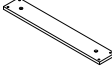
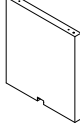
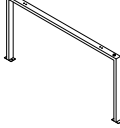
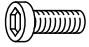
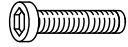
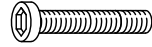


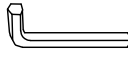

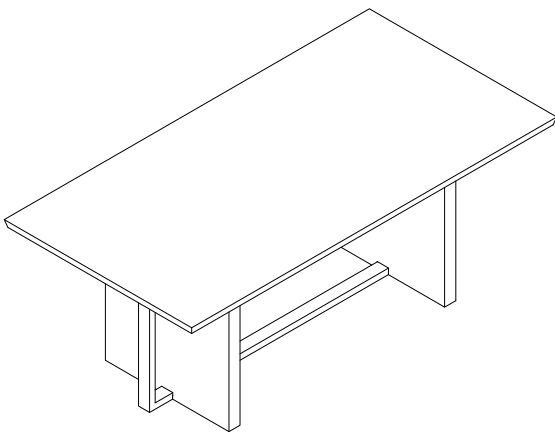


ASSEMBLY INSTRUCTION

78" RECTANGULAR DINING TABLE

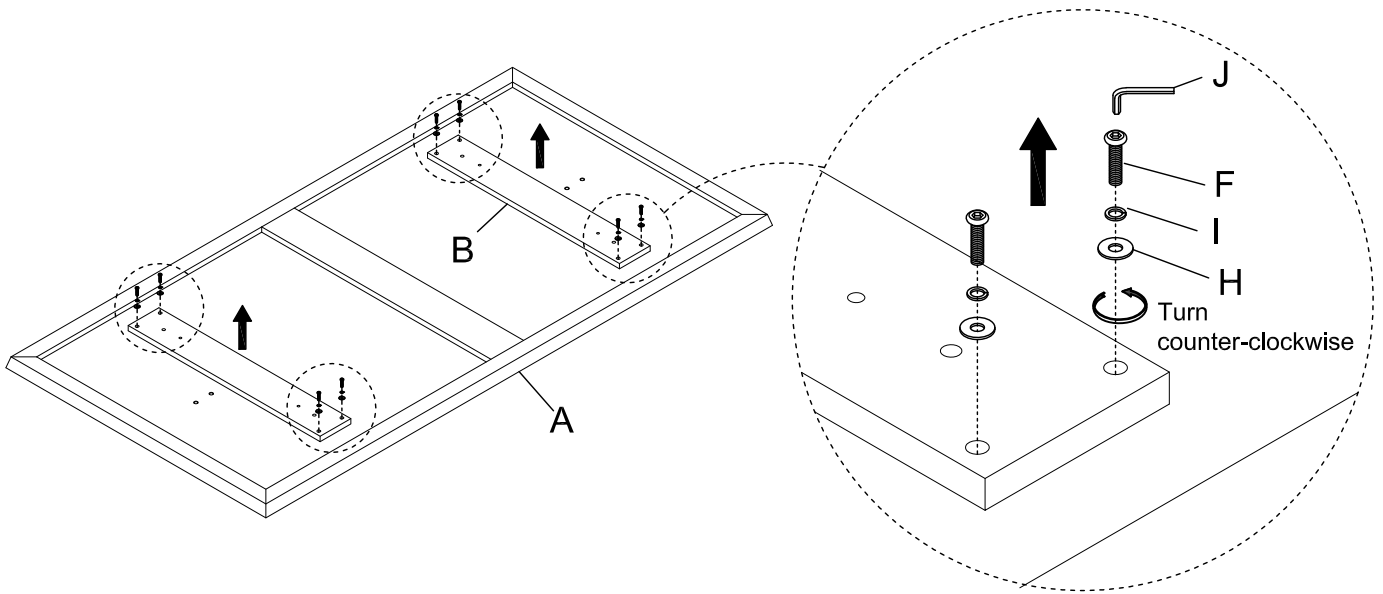
A Table Top  1 PC	B Mounting Plate  2 PCS	C Leg  2 PCS	D Metal Frame  1 PC
E Allen Bolt 5/16" x 15mm  4 PCS	F Allen Bolt 5/16" x 32mm  12 PCS	G Allen Bolt 5/16" x 50mm  4 PCS	H Flat Washer Ø5/16" x Ø19mm  20 PCS
I Lock Washer Ø5/16"  20 PCS	J Allen Key Ø5mm x 50mm  1 PC	K Dowel Ø8mm x 30mm  4 PCS	



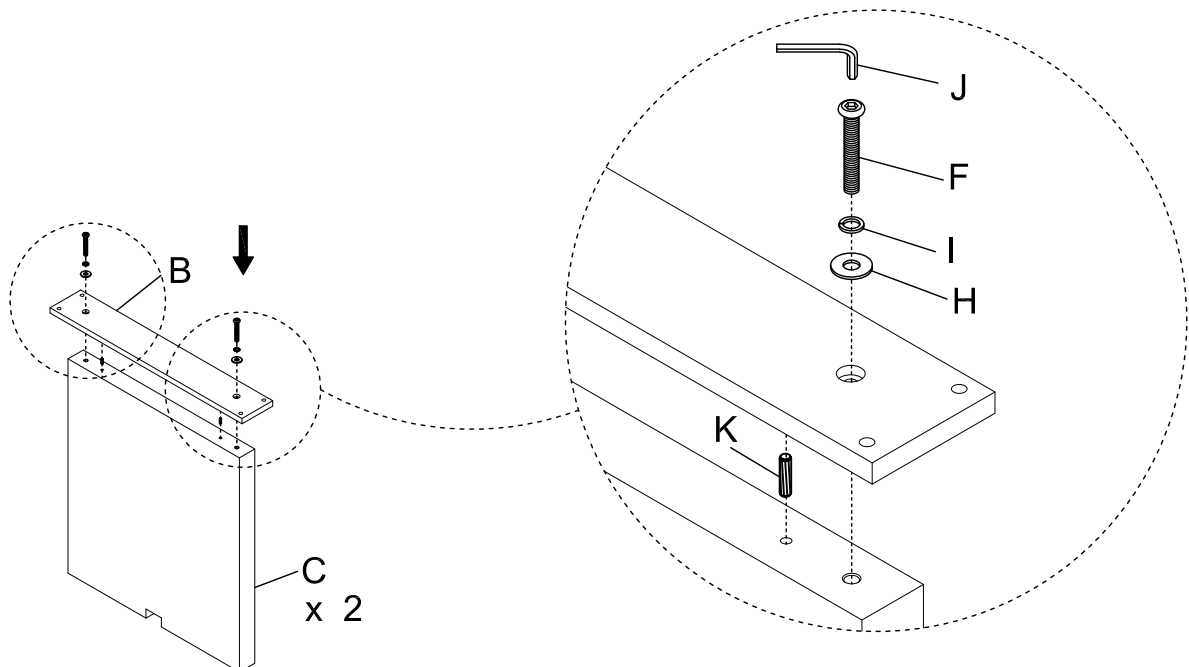
This page lists all the contents included in the box. Please take the time to identify the hardware as well as the Individual components to this product. As you unpack and prepare for assembly, place the contents on a carpeted or padded area to protect them from damage.

1

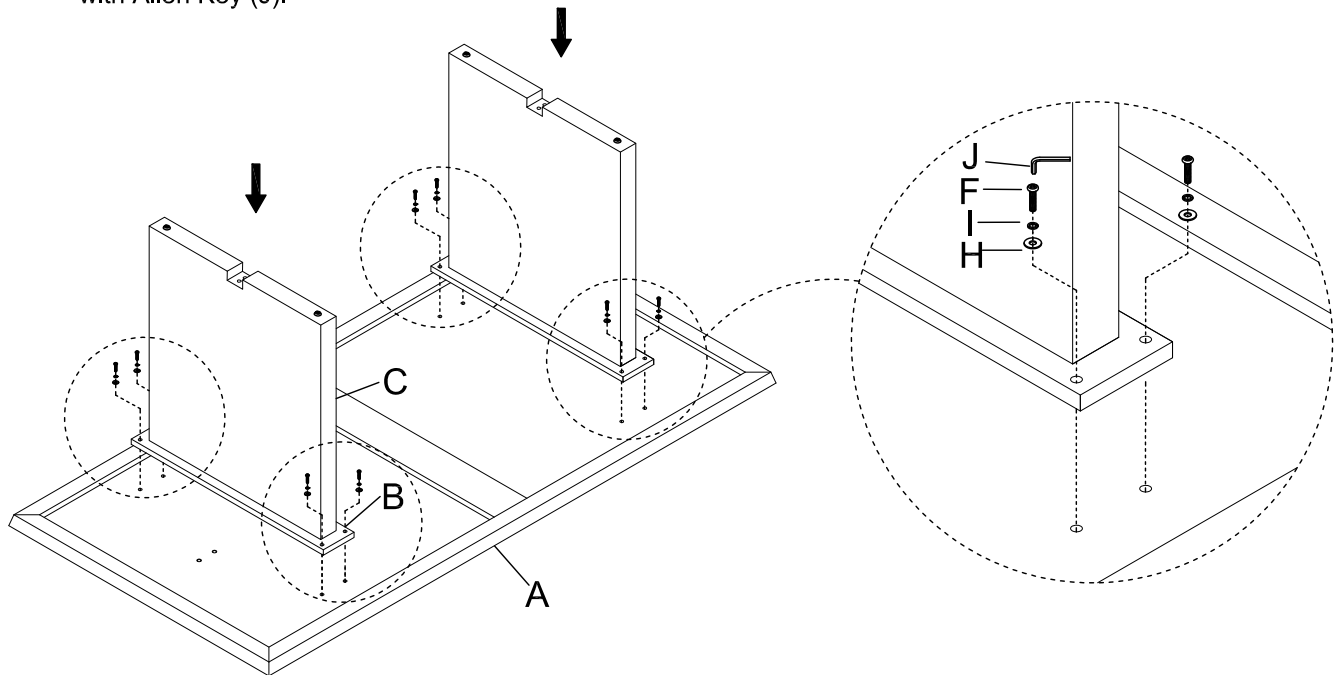
Detach the Mounting Plate (B) from the Table Top (A) by unfastening Allen Bolt (F), Lock Washer (I) and Flat Washer (H) with Allen Key (J).

**2**

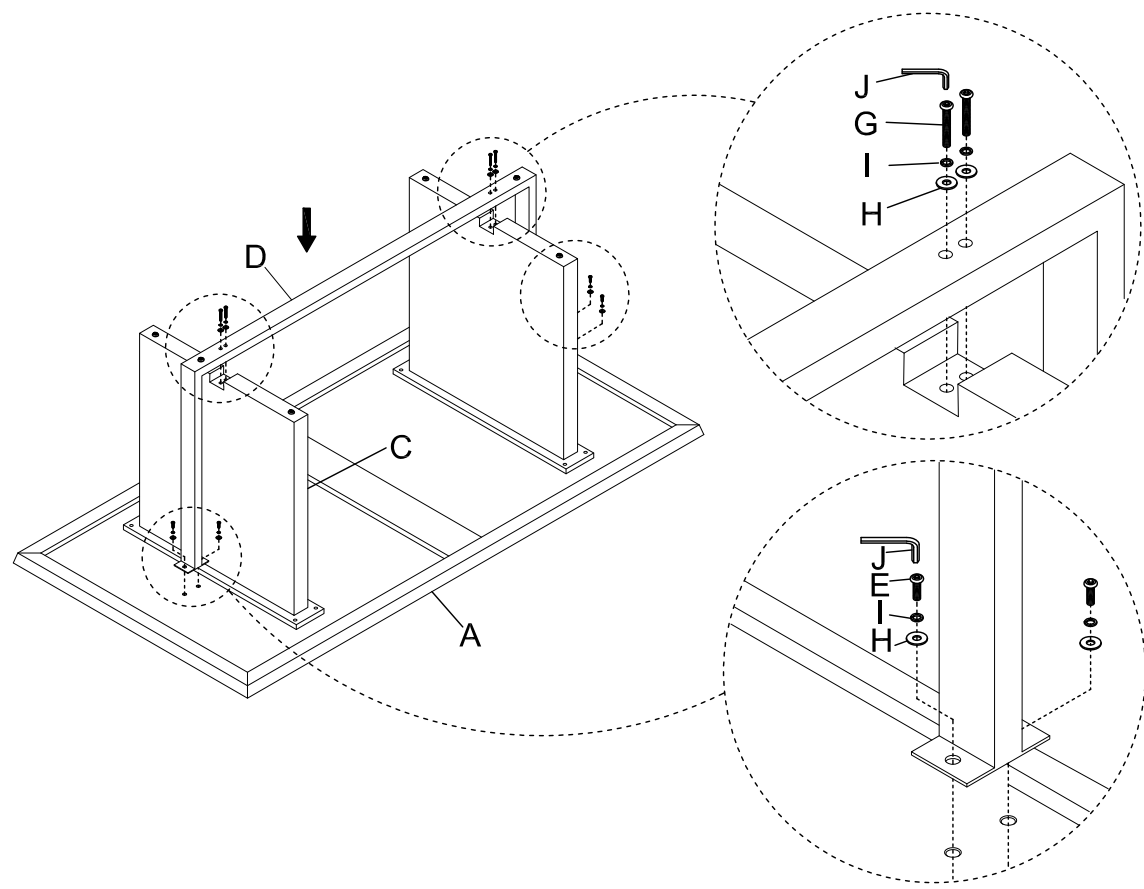
Attach the Mounting Plate (B) to the Leg (C) by inserting Dowel (K), and using Allen Bolt (F), Lock Washer (I) and Flat Washer (H) with Allen Key (J).



3 Attach the Mounting Plate (B) to the Table Top (A) using Allen Bolt (F), Lock Washer (I) and Flat Washer (H) with Allen Key (J).



4 Attach the Metal Frame (D) to the Table Top (A) using Allen Bolt (E), Lock Washer (I) and Flat Washer (H) with Allen Key (J). Attach the Metal Frame (D) to the Leg (C) using Allen Bolt (G), Lock Washer (I) and Flat Washer (H) with Allen Key (J).



Cleaning & Care

Treat surfaces with care. Surfaces are resistant to scratches but are not scratch resistant. Clean surfaces with a dry or damp soft cloth. Do not use abrasive cleaners. Hardware may loosen over time. Periodically check that all connections are tight.