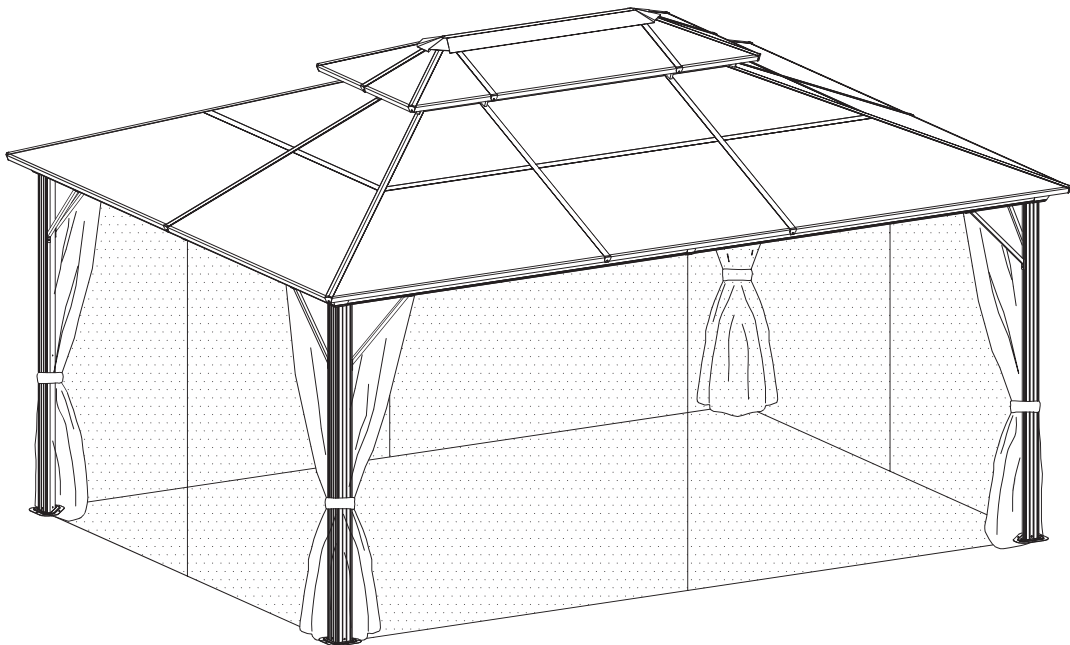


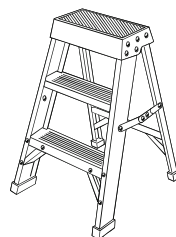
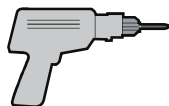
# 12 x 16 FT

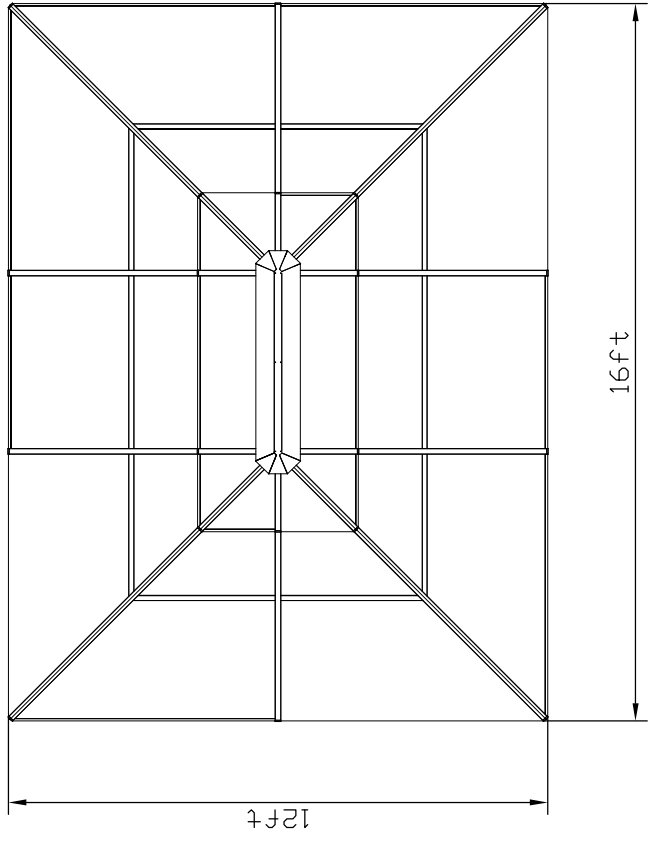
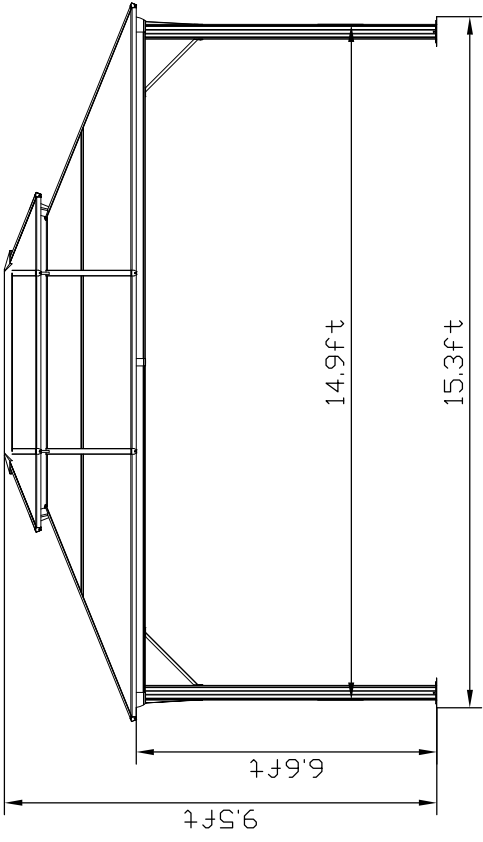
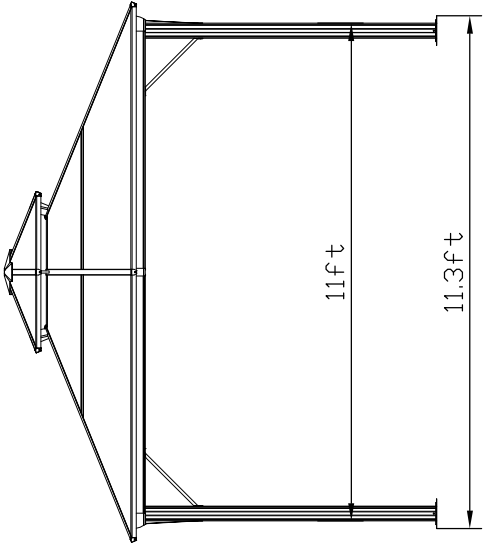
□ □ □ □ □ □ □ □ HWG20 - 033 □ □ □ □ □ □ □ □



At least need 3 person work together

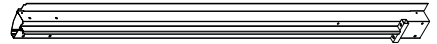
## REQUIRED TOOLS



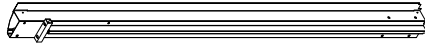




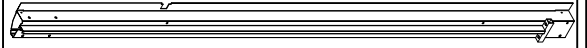
A 4x



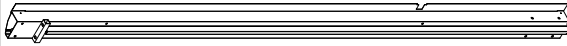
B 2x



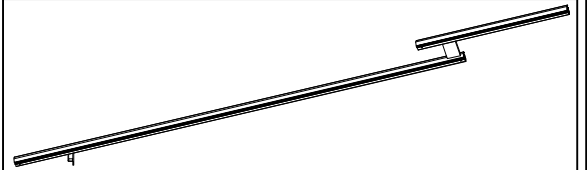
B1 2x



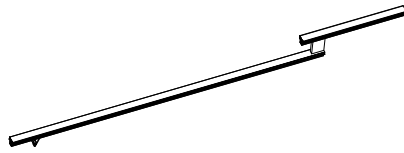
C 2x



C1 2x



D 4x



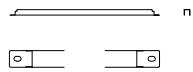
E 6x



D3 4x



D4 4x



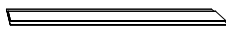
D5 2x



F 2x



F1 4x



F2 4x



G 4x



G1 4x



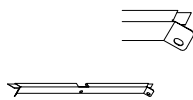
G2 4x



G3 4x



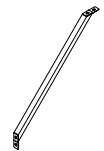
G4 4x



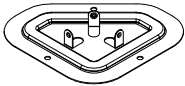
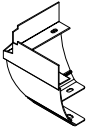

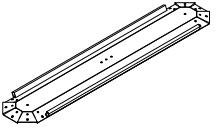
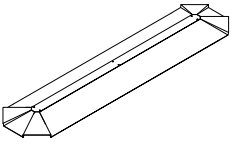


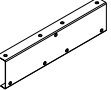
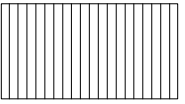
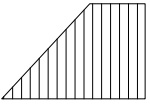
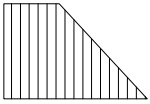
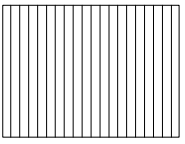
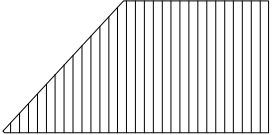
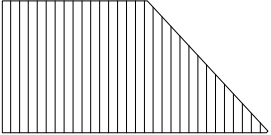
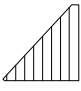
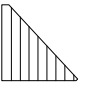
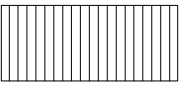
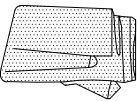
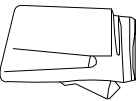

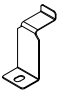


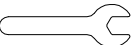






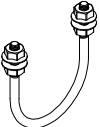
G5 2x



G6 2x



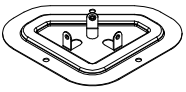
H 12x

			
(J) 4x	(K) 4x	(K1) 4x	(L) 1x
			
(M) 1x	(N) 12x	(N1) 12x	(P) 4x
			
(Q) 2x	(Q1) 4x	(Q2) 4x	(R) 2x
			
(R1) 4x	(R2) 4x	(R3) 4x	(R4) 4x
			
(R5) 2x	(S) 4x	(T) 4x	(U) 128x
			
(V) 4x	(P1) 4x	S4 1x	
			
		1x	
			
M6x15 (1) 157x	M6x35 (2) 16x	M5x12 (3) 4x	ST5x12 (4) 24x
			
(5) 2x	(9) 12x	(10) 1x	

<1>



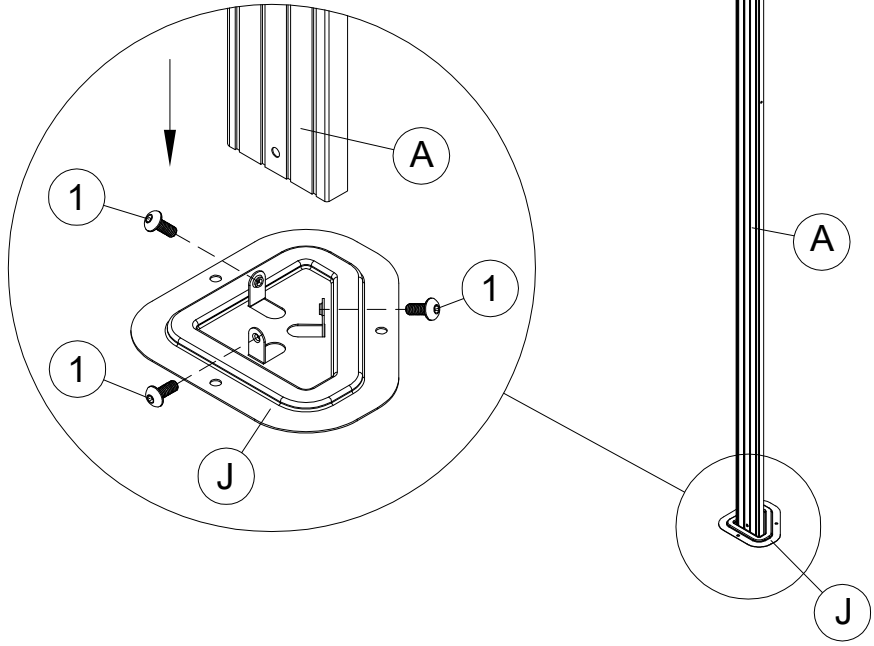
A 4x



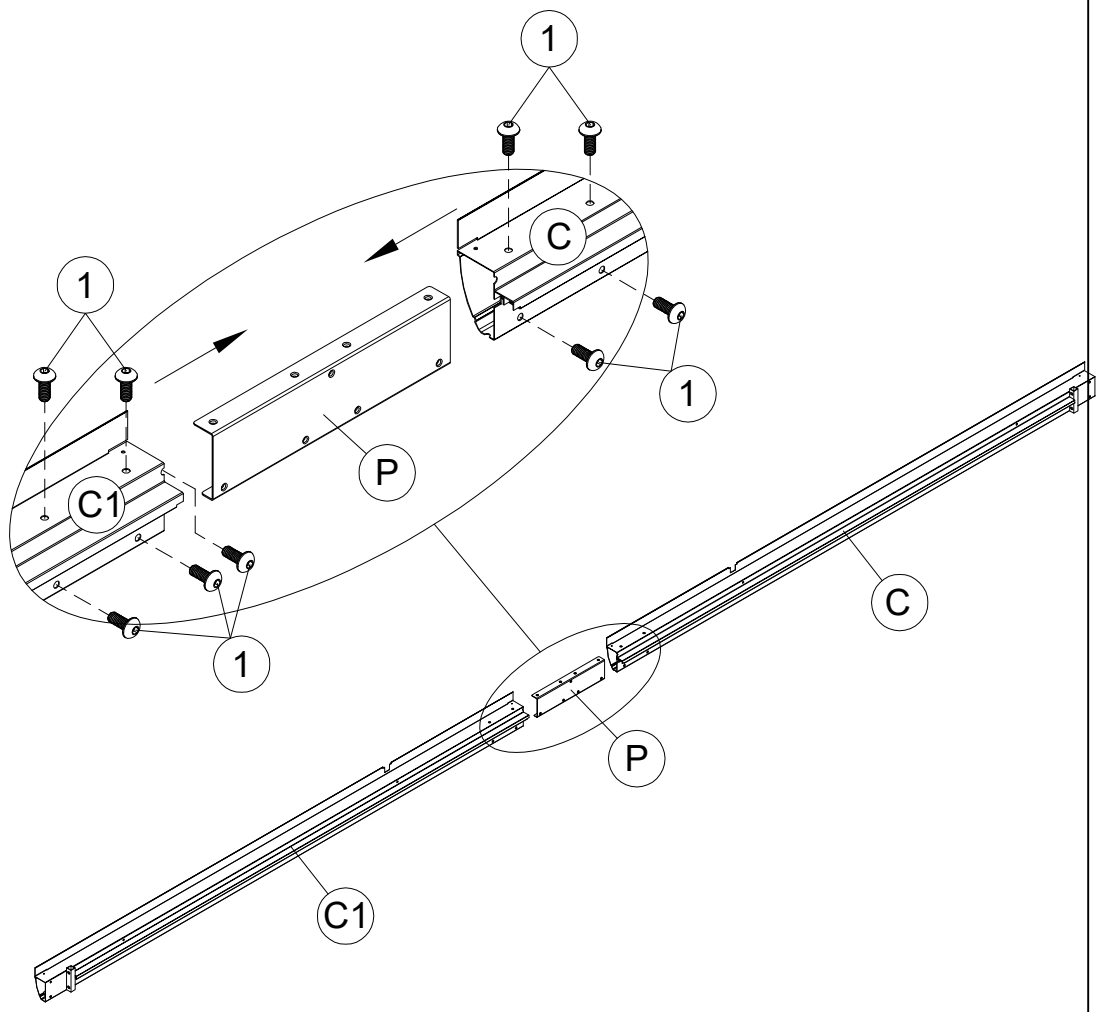
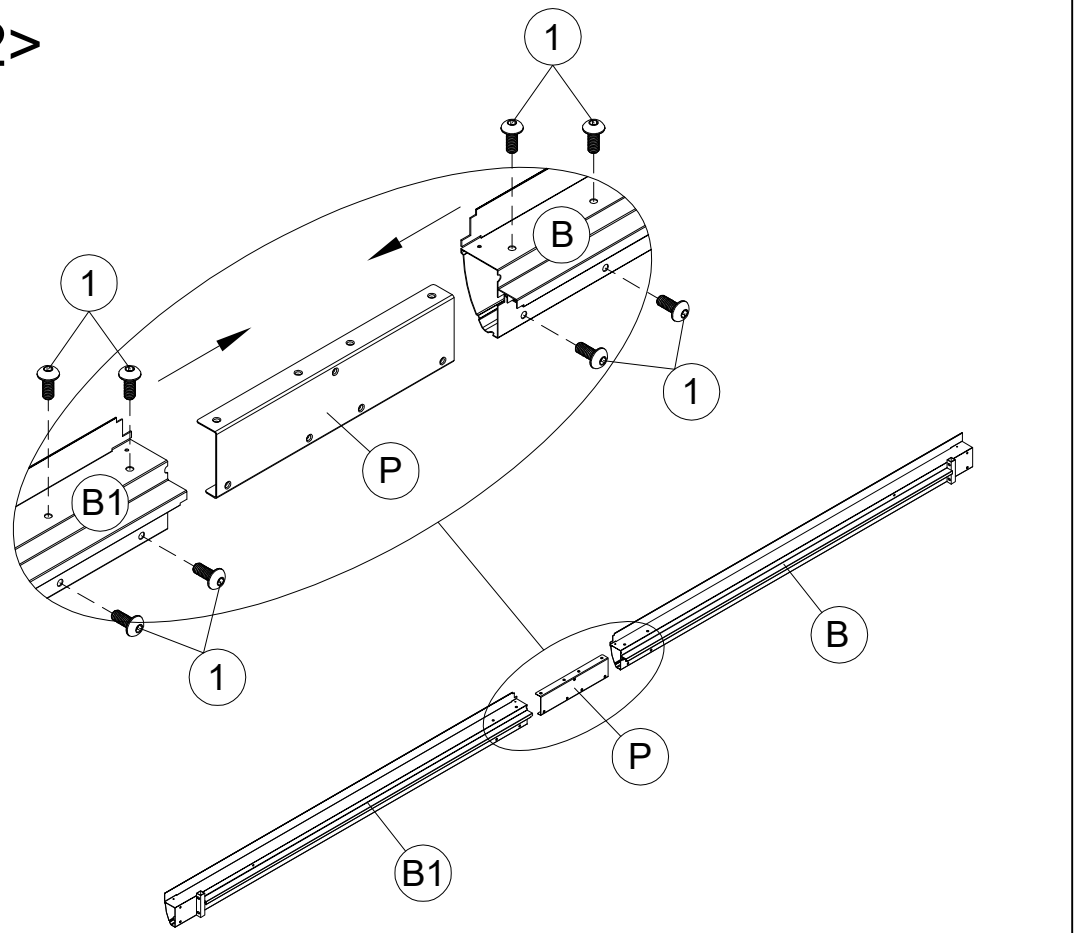
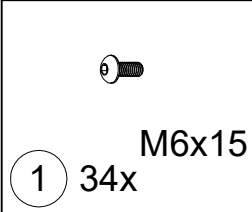
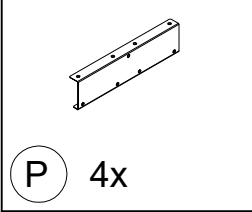
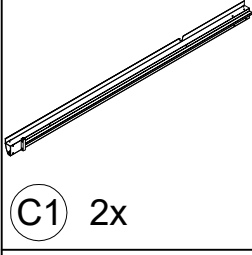
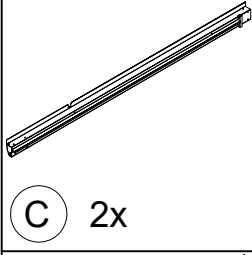
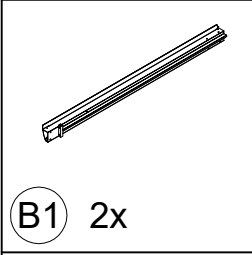
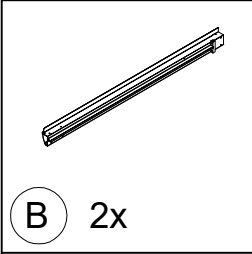
J 4x



1 12x M6x15



<2>



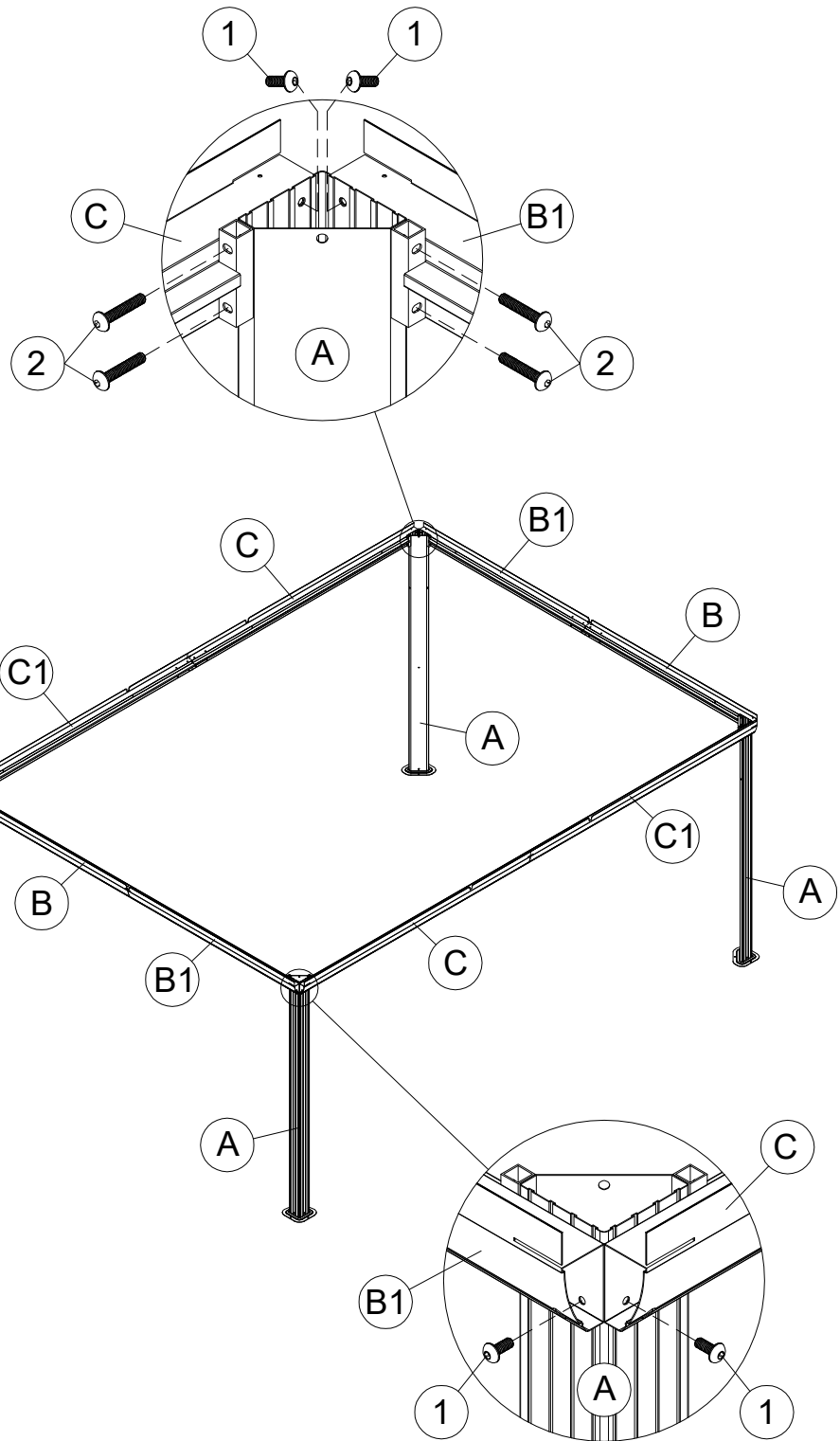


<3>

1 M6x15  
16x

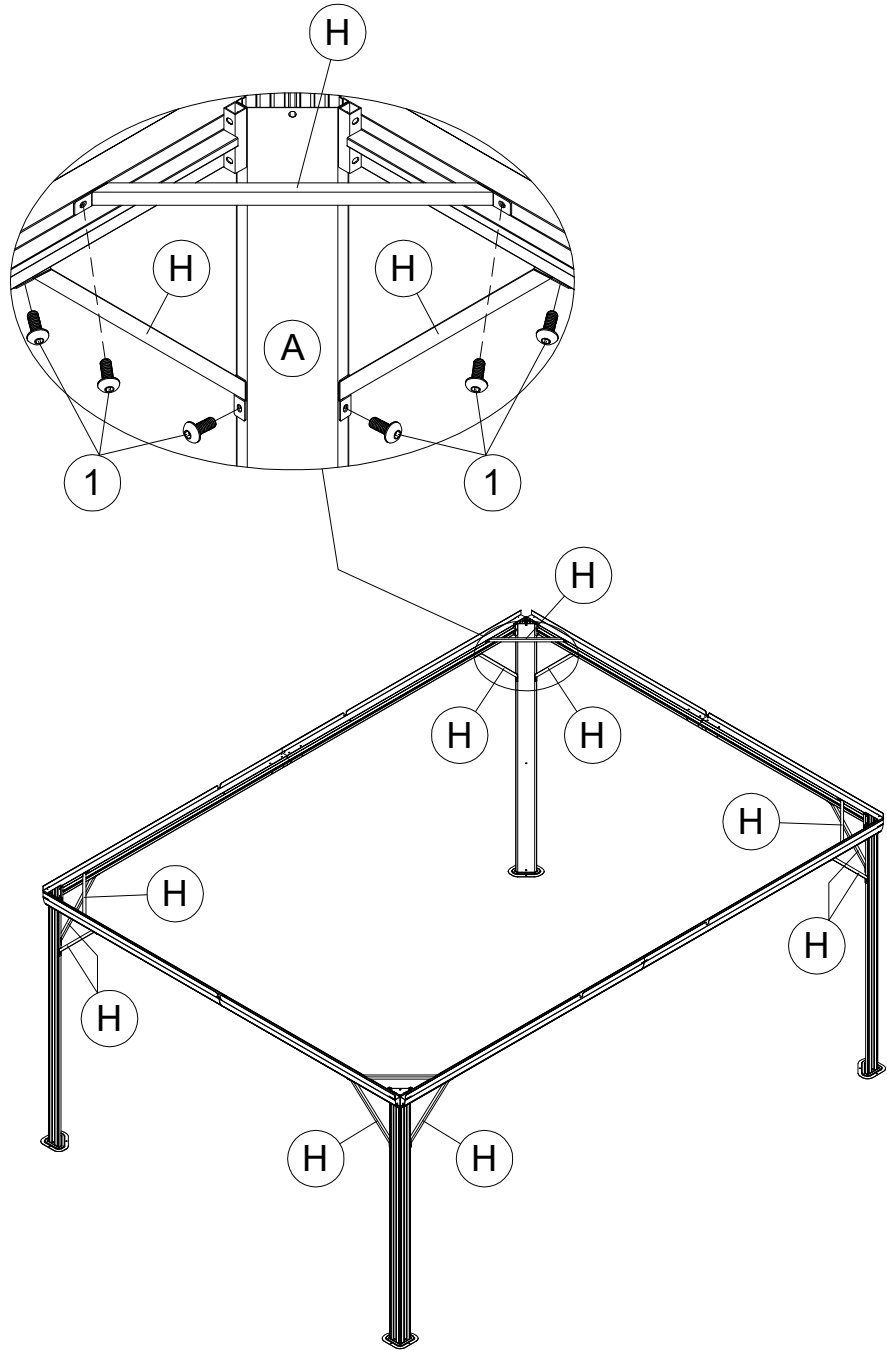
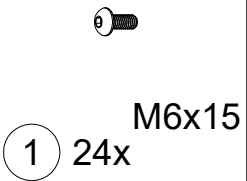
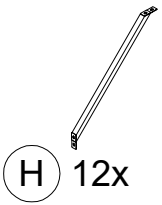


2 M6x35  
16x

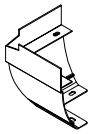


6

<4>







K 4x



K1 4x



U 128x



V 4x



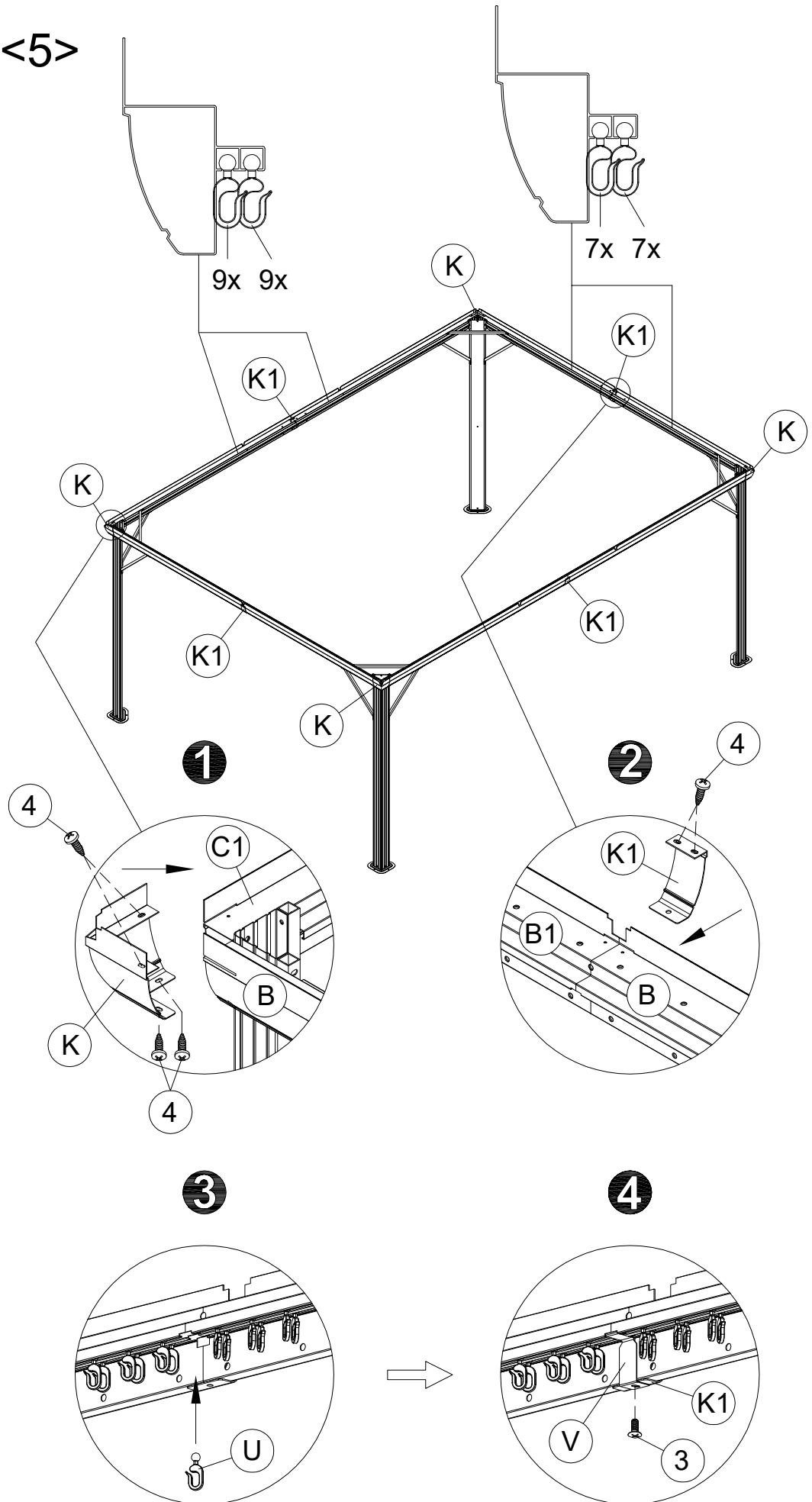
3 4x M5x12



4 24x ST5x12

8

<5>

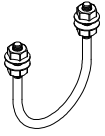




<6>

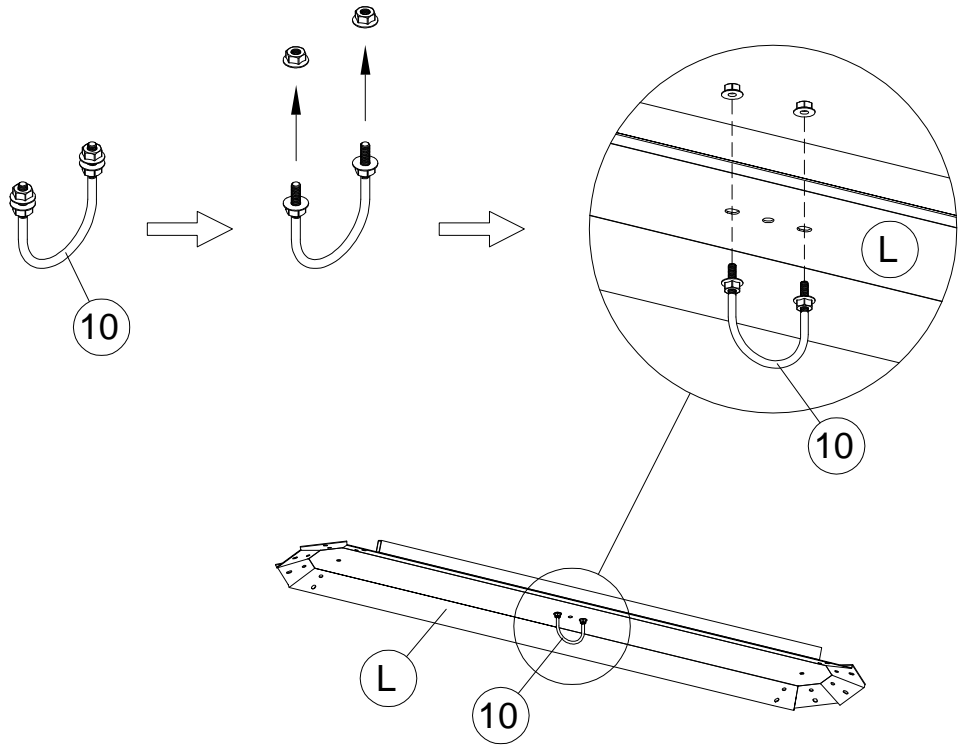
1

M6x15  
8x



10

1x

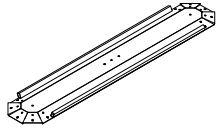


9



<7>

D 4x



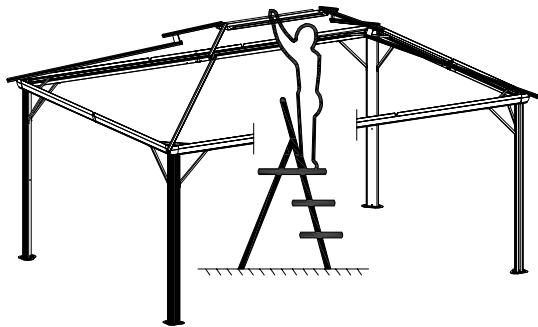
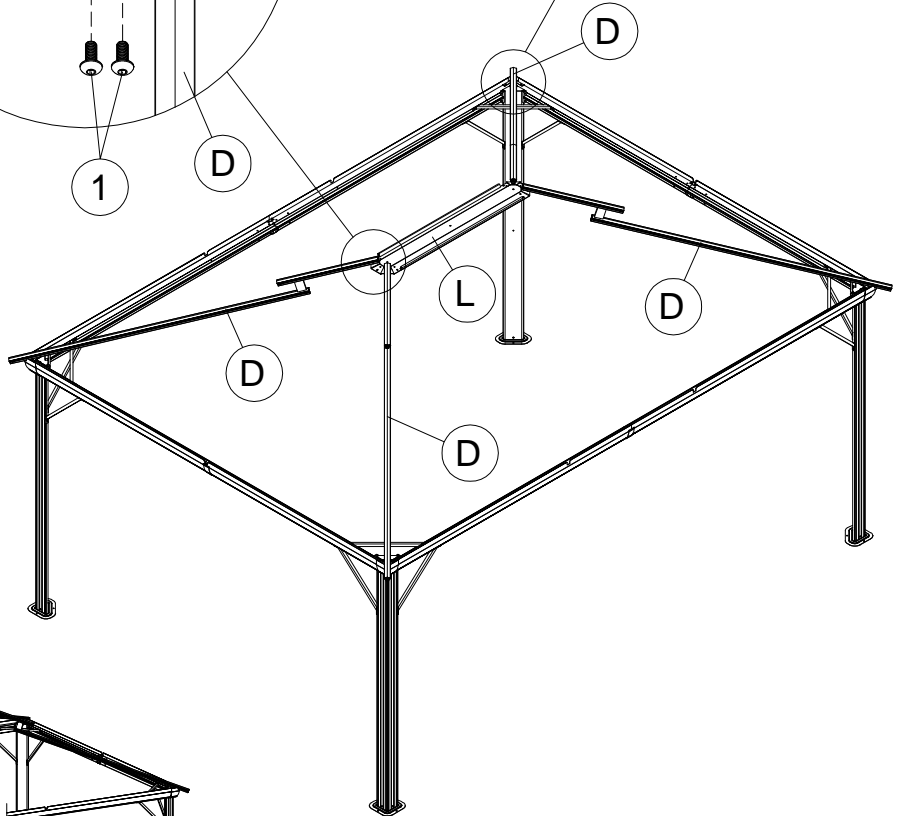
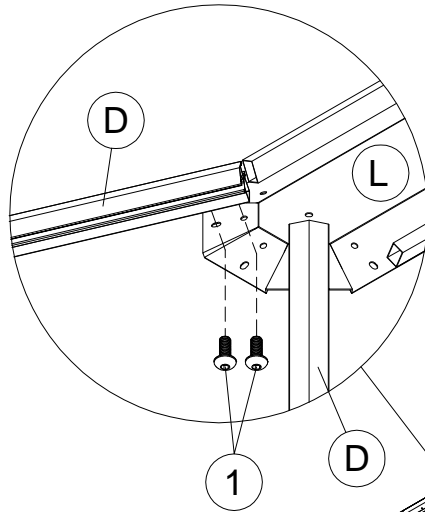
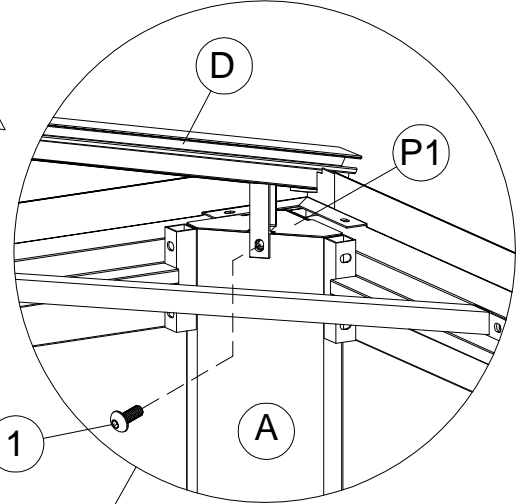
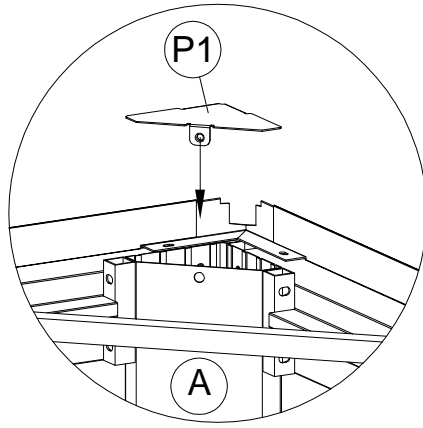
L 1x



P1 4x



1 12x M6x15



Note:

1. Let one person stand on the ladder to lift " L " and hold, and let others fasten the screws connecting both ends of " D " .

2. Please do not let go of holding " L " until all the " D " screws are installed.

10

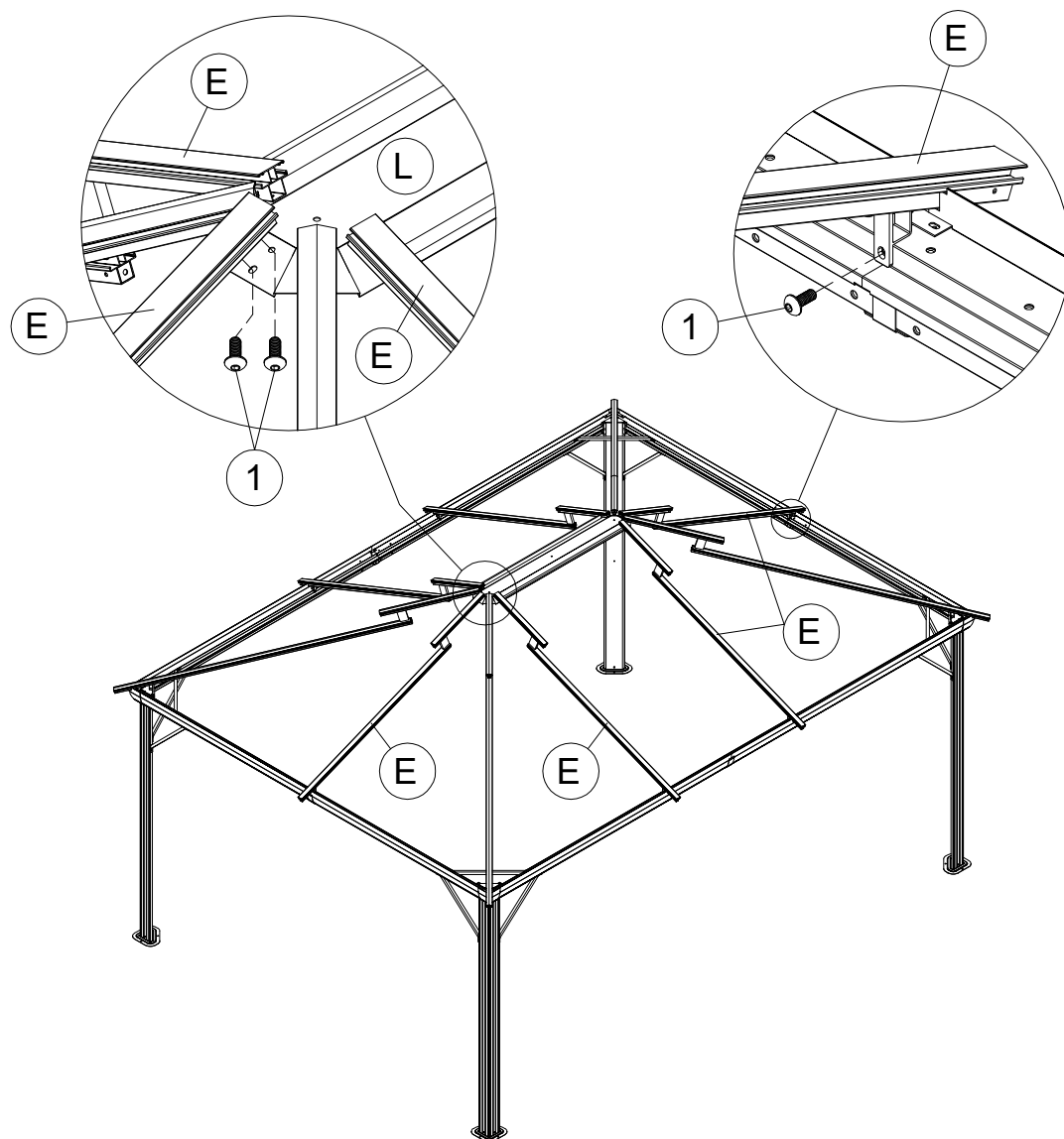


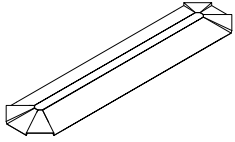
<8>

E 6x



M6x15  
1 18x





M 1x

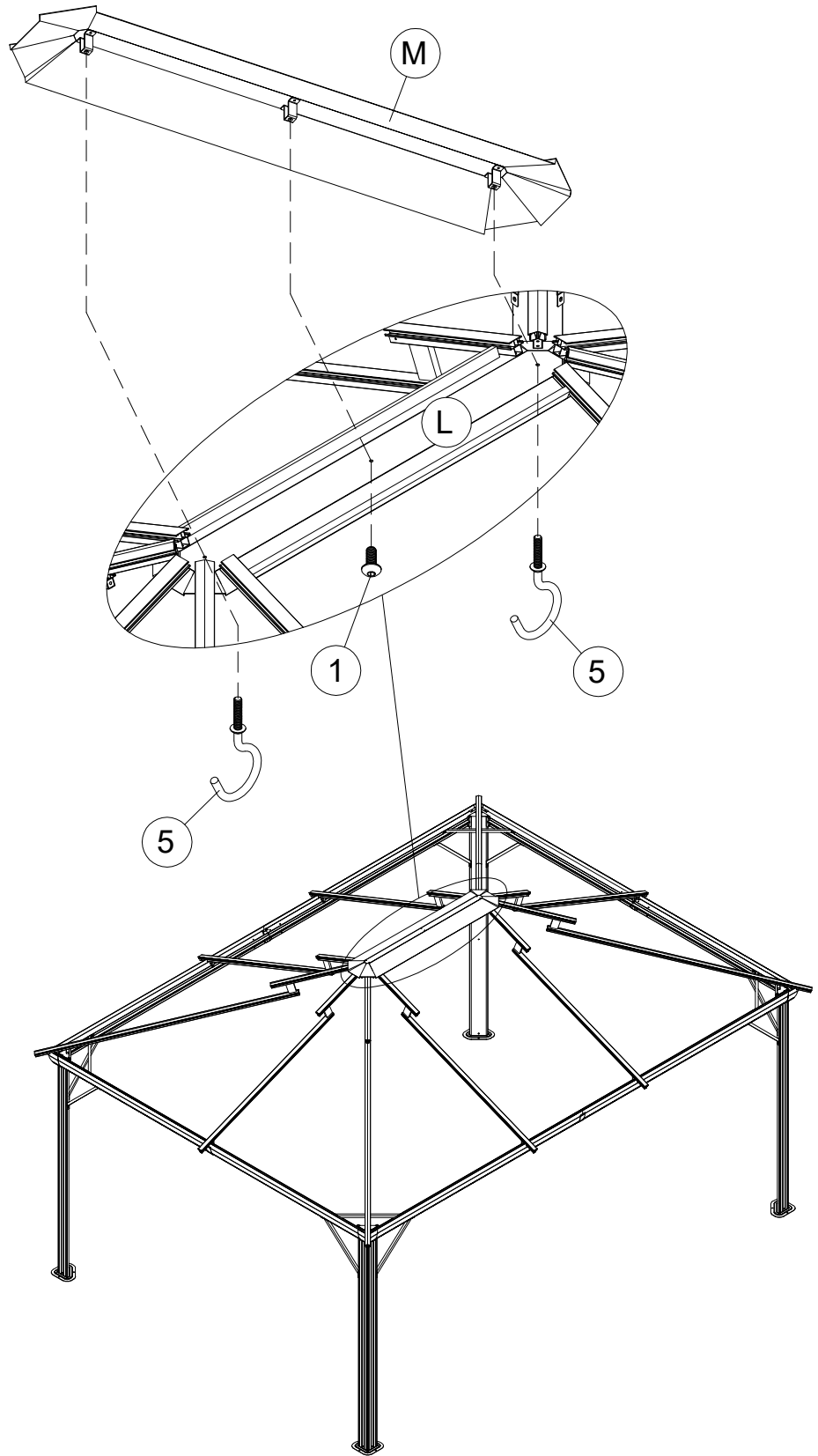


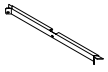
1 M6x15  
1x



5 2x

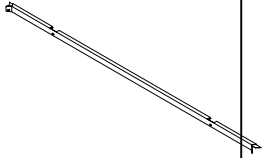
<9>





<10>

G5 2x



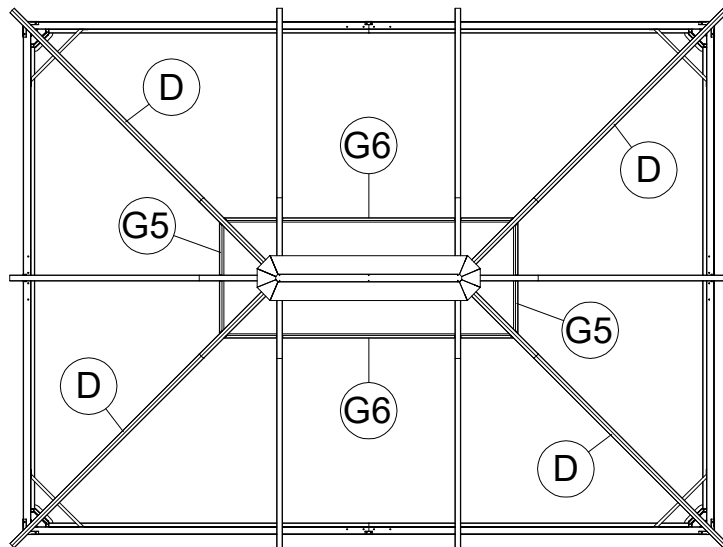
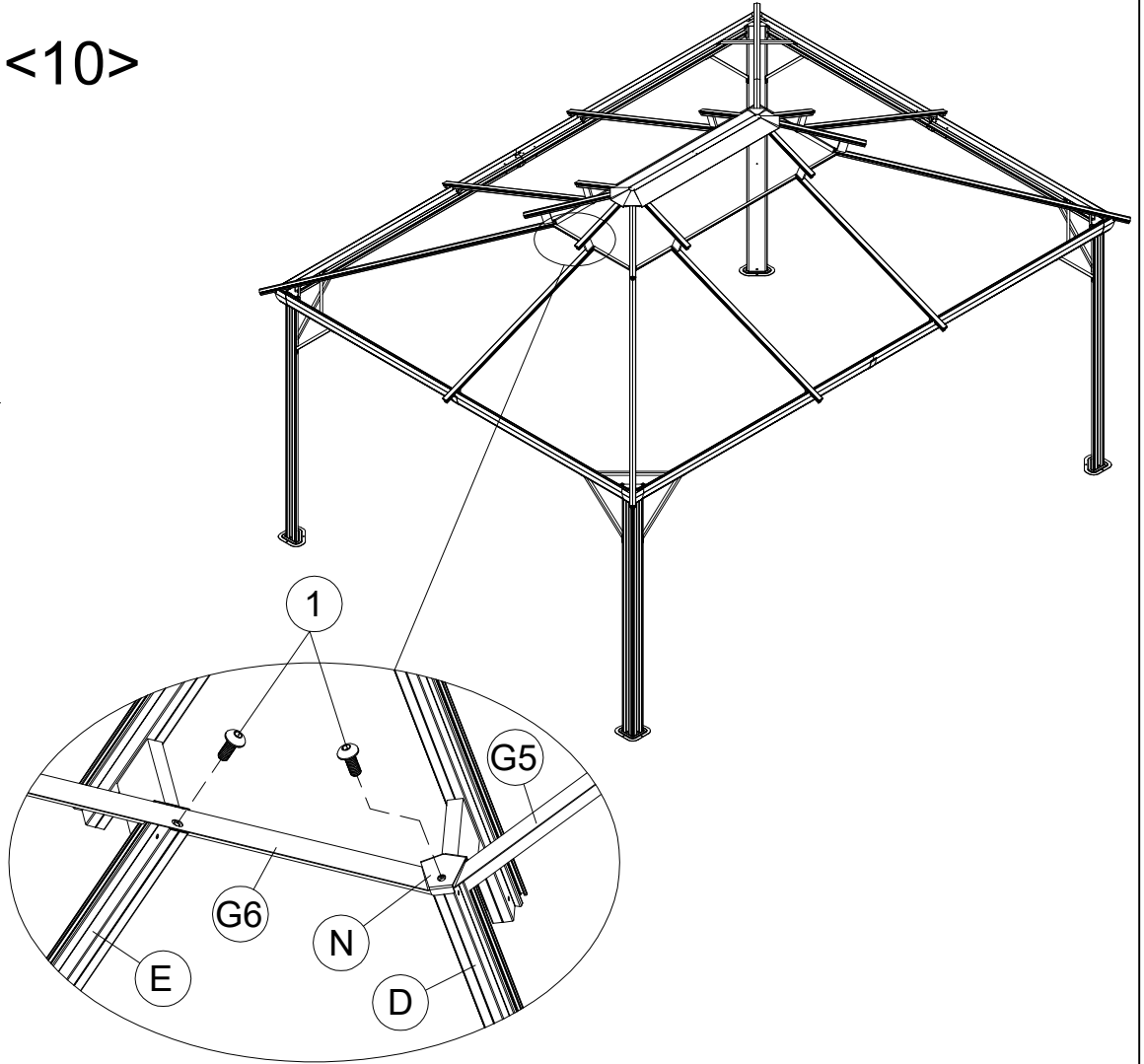
G6 2x



N 4x



1 10x M6x15

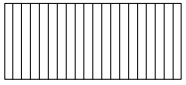




R3 4x

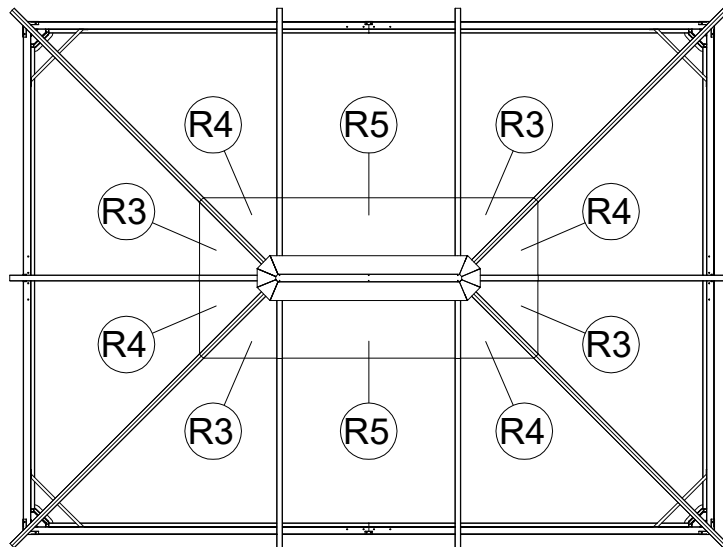
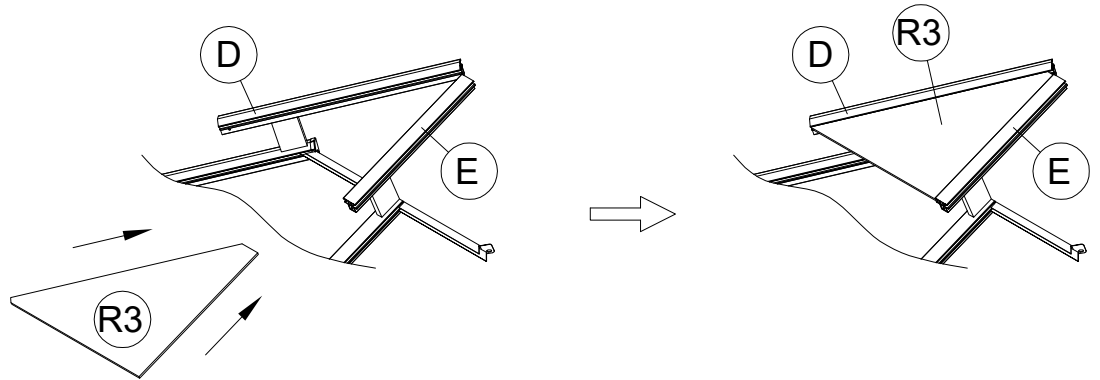
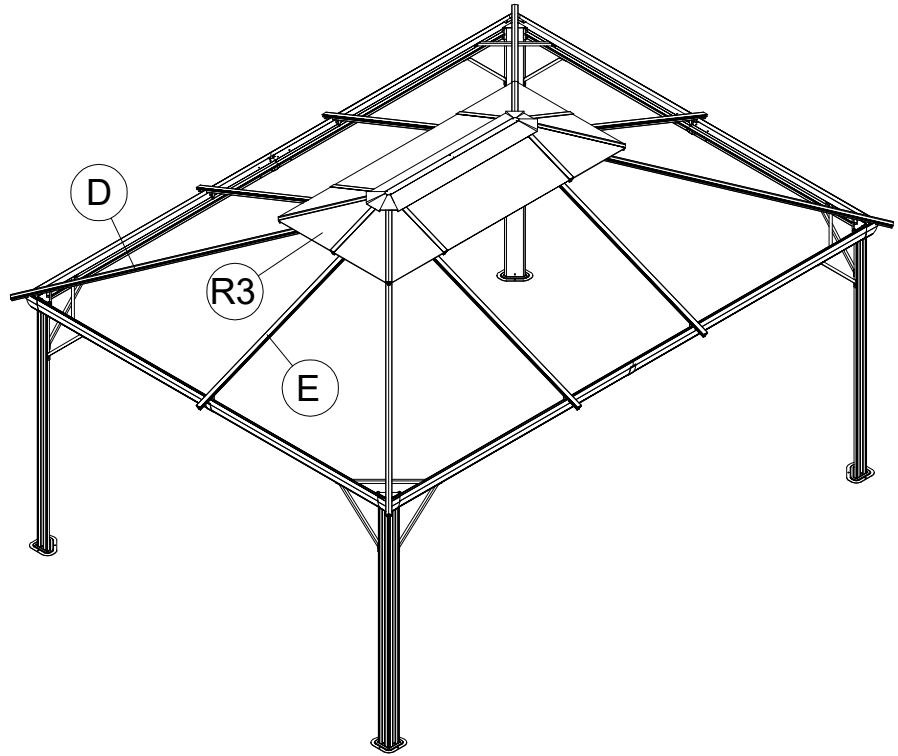


R4 4x

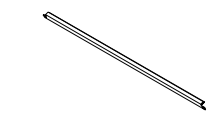


R5 2x

<11>



<12>



G 2x



G3 4x



G4 4x



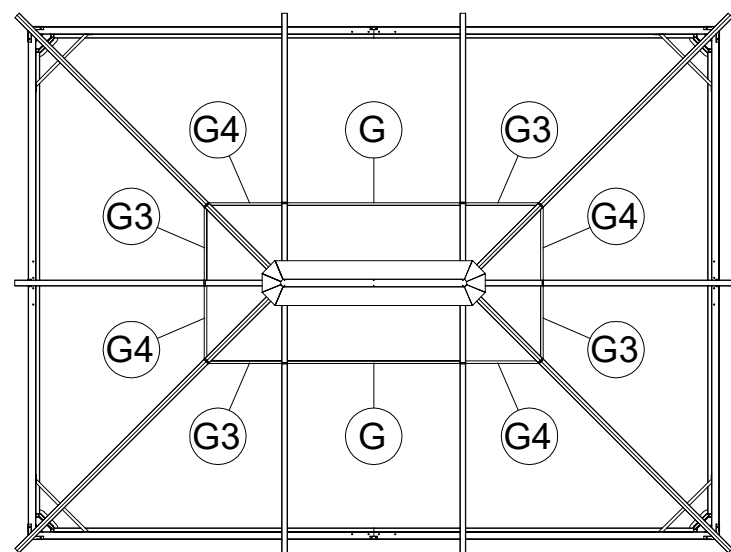
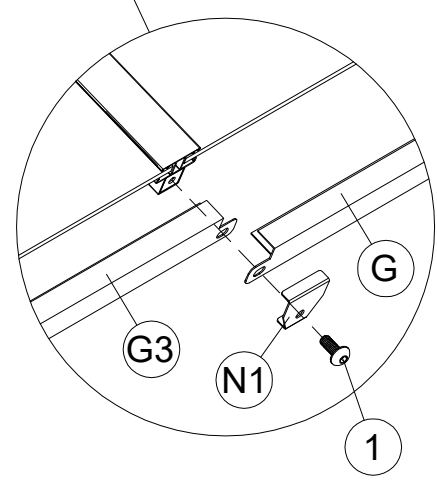
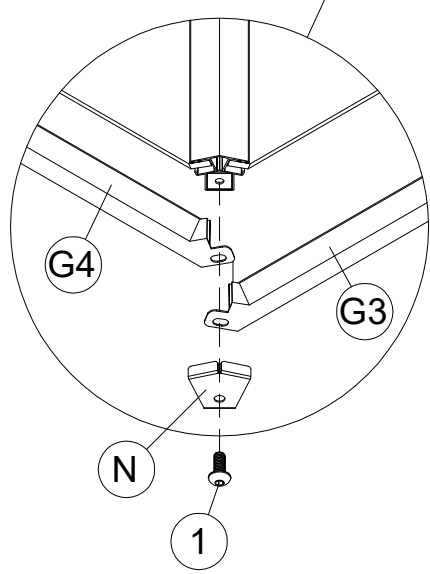
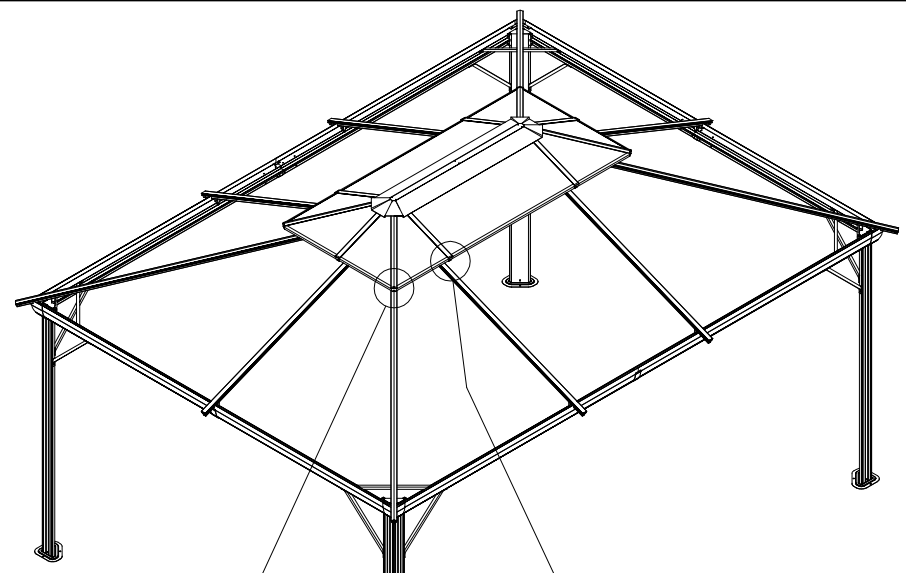
N 4x



N1 6x



1 10x M6x15





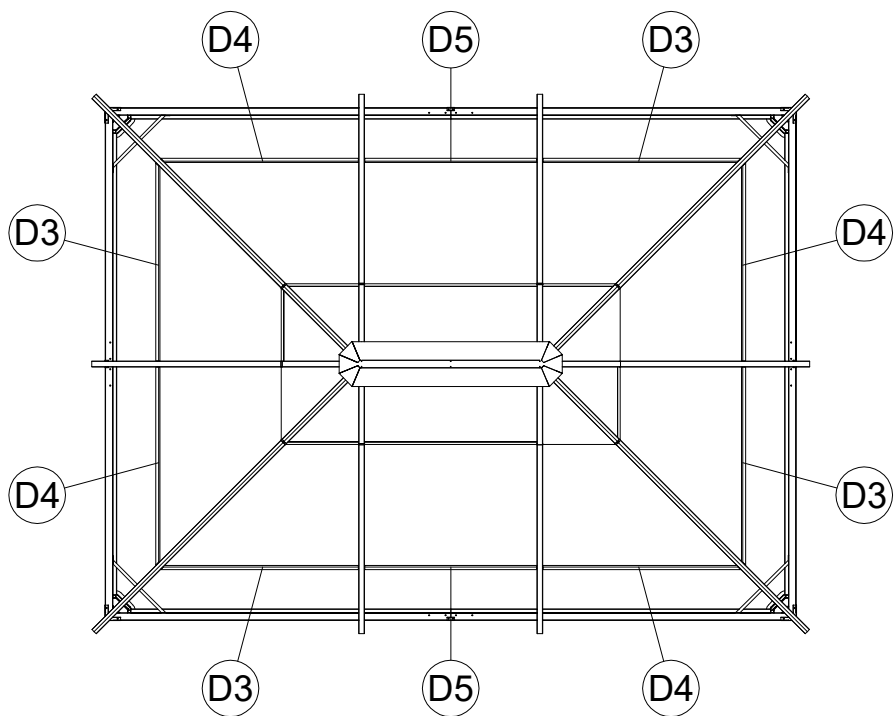
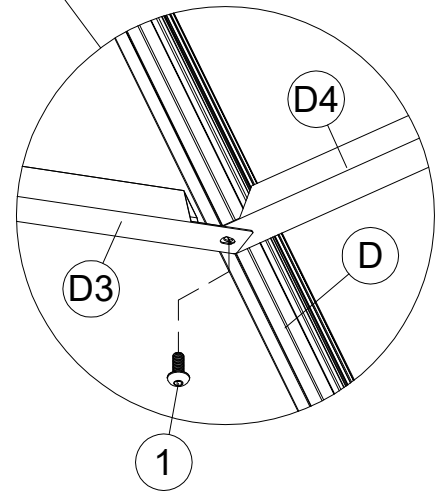
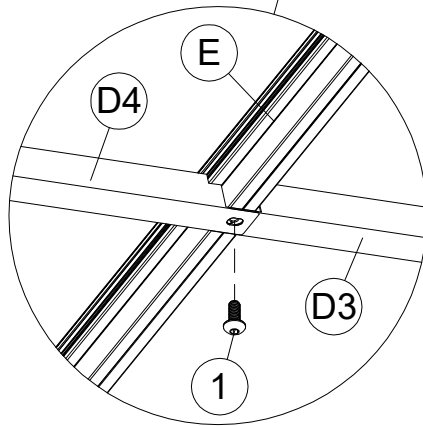
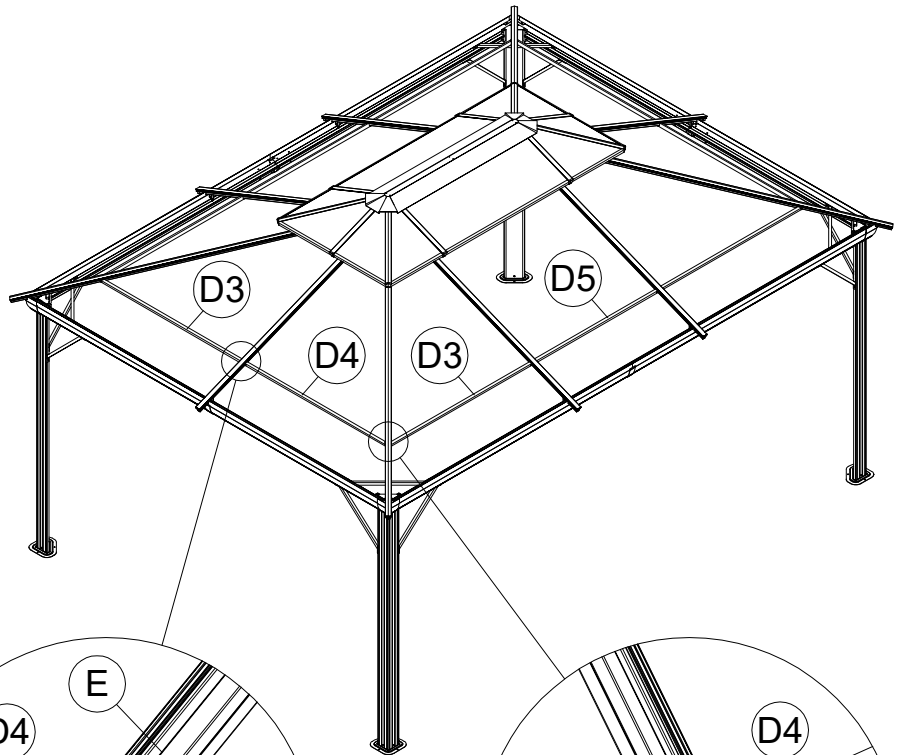
<13>

D3 4x

D4 4x

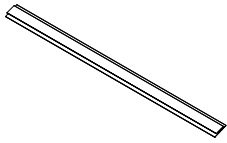
D5 2x

1 10x M6x15

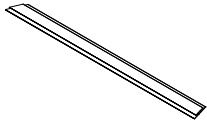


16

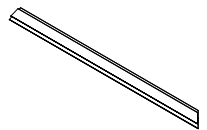
<14>



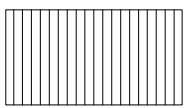
F 2x



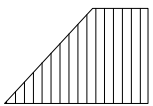
F1 4x



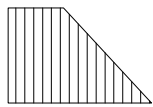
F2 4x



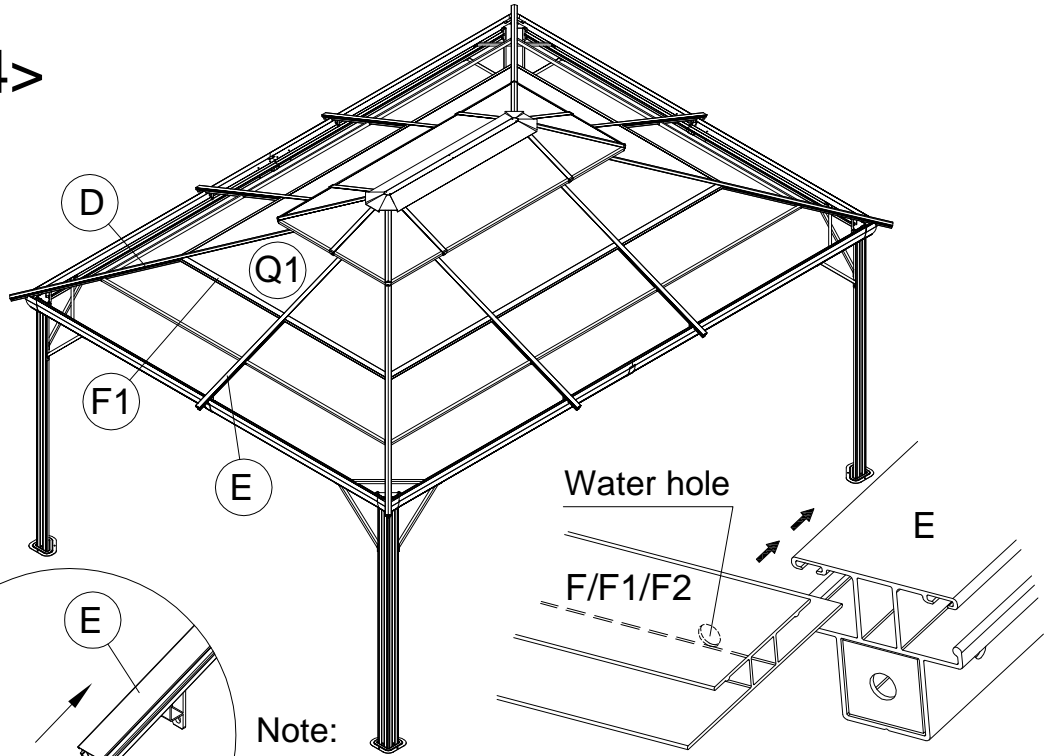
Q 2x



Q1 4x



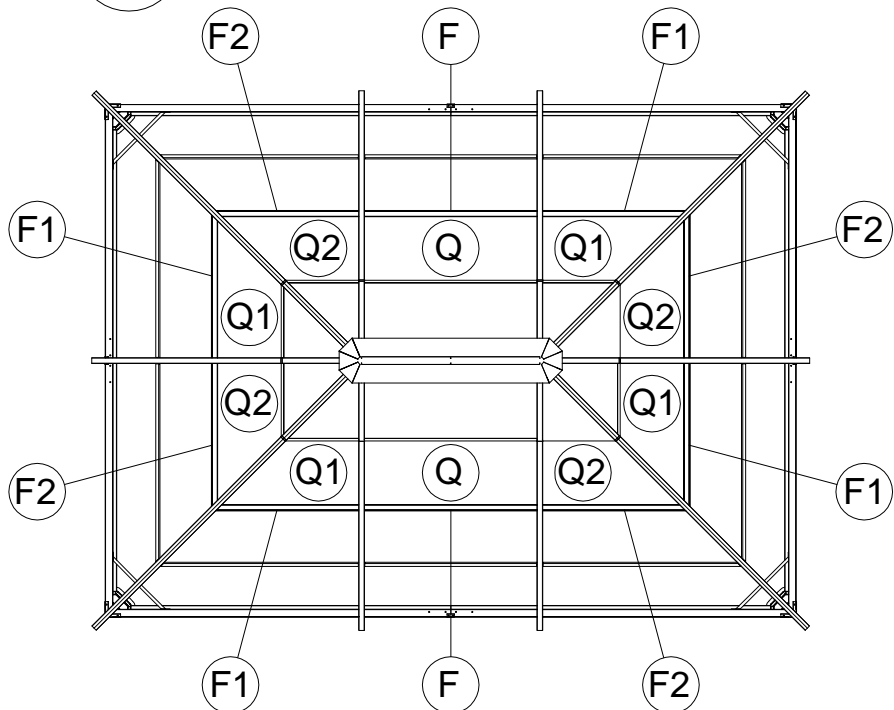
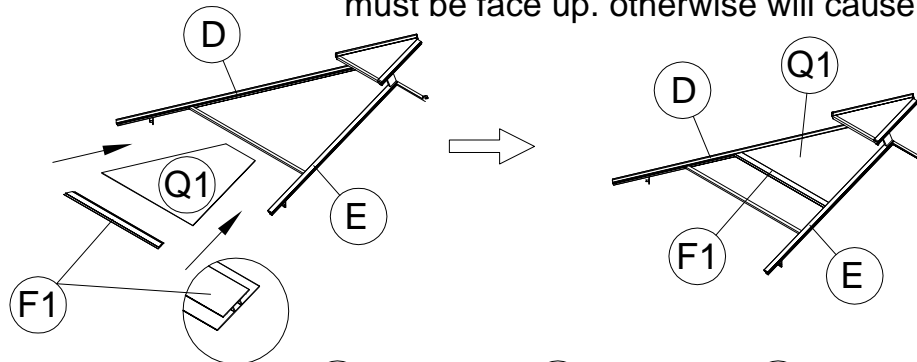
Q2 4x



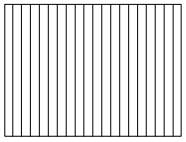
Note:

1. When F1 or F2 or F slide into the E, the wide side must be face down and narrow side face up, otherwise will cause water leaking

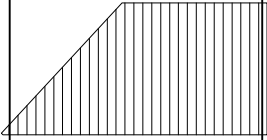
2. F or F1 or F2 the water holes inside of the tube must be face up. otherwise will cause water leaking



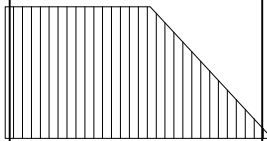
<15>



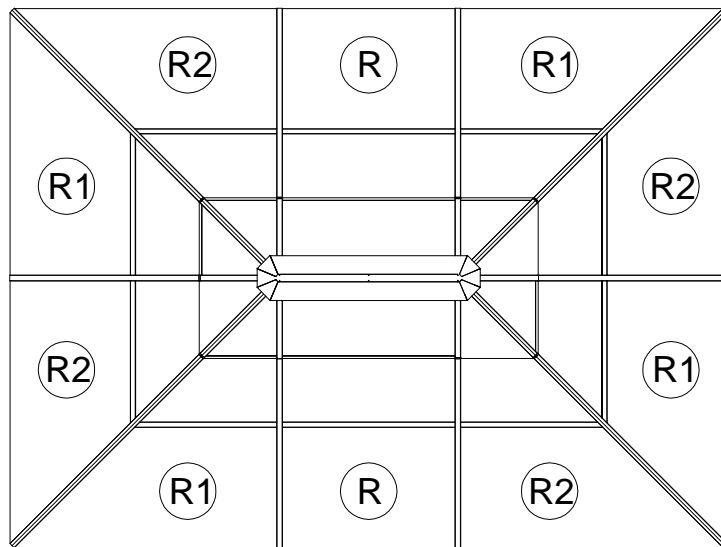
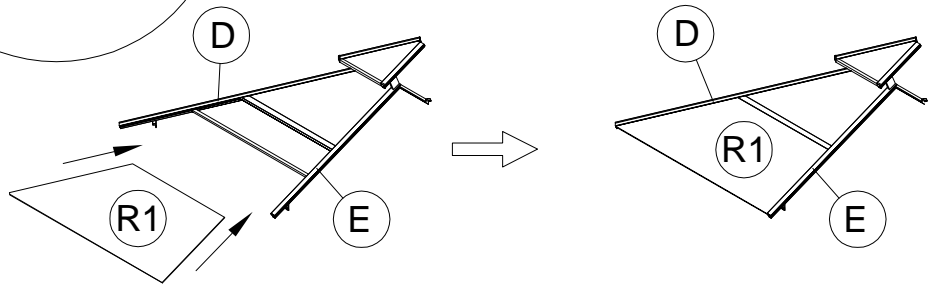
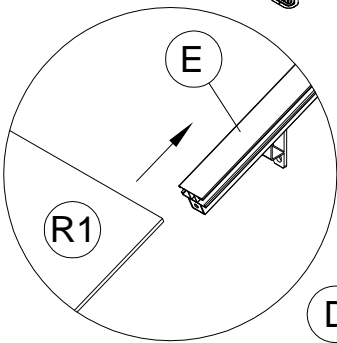
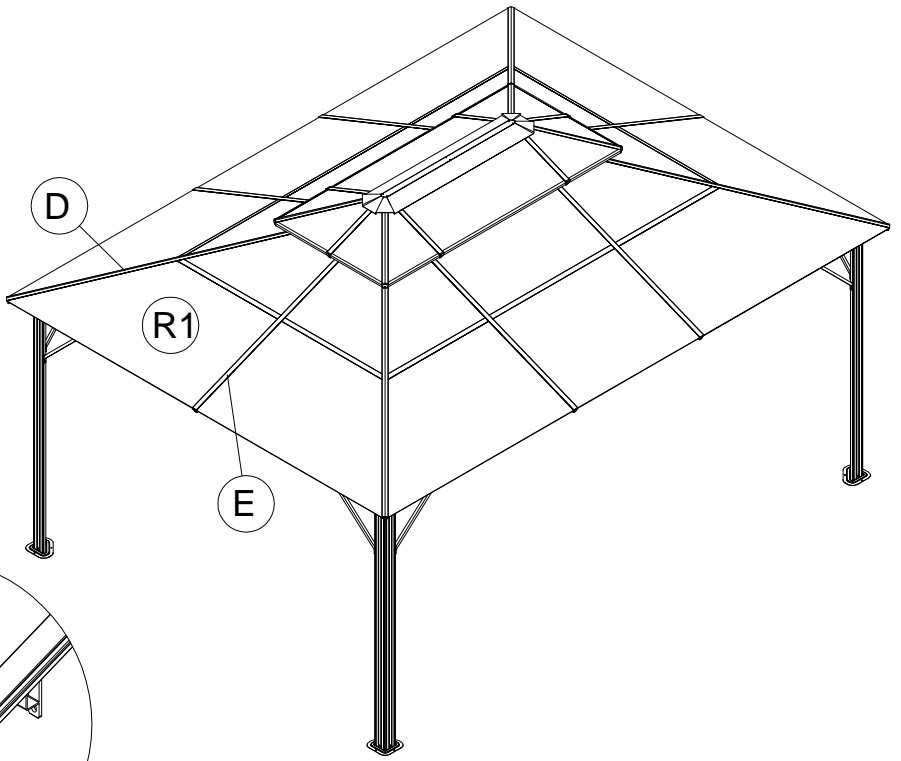
(R) 2x



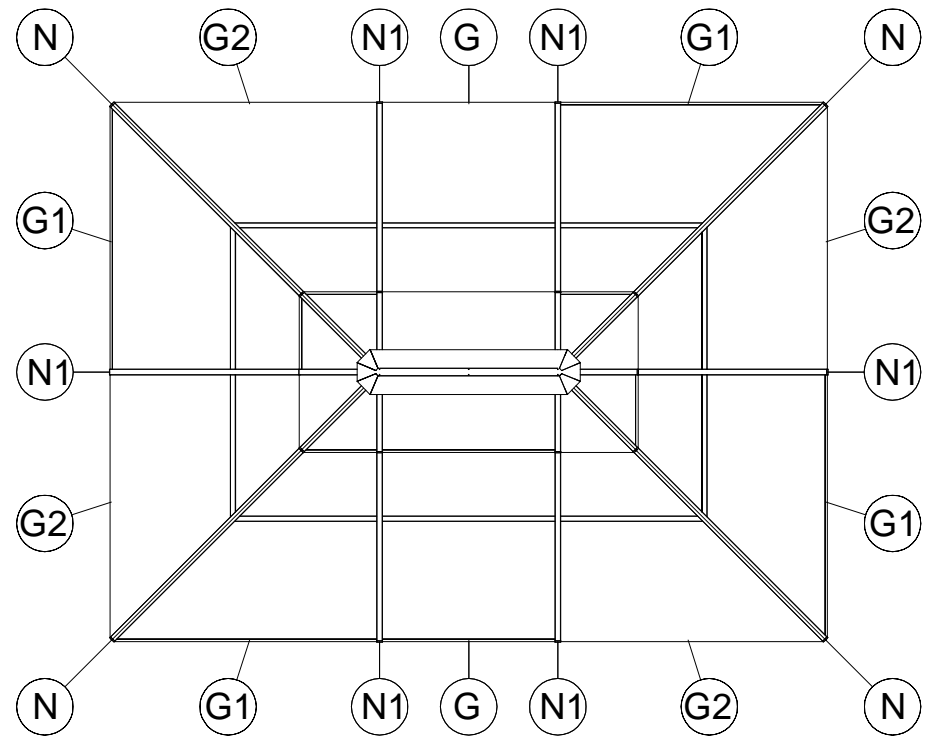
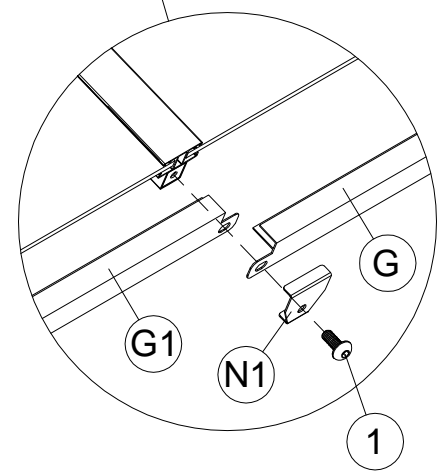
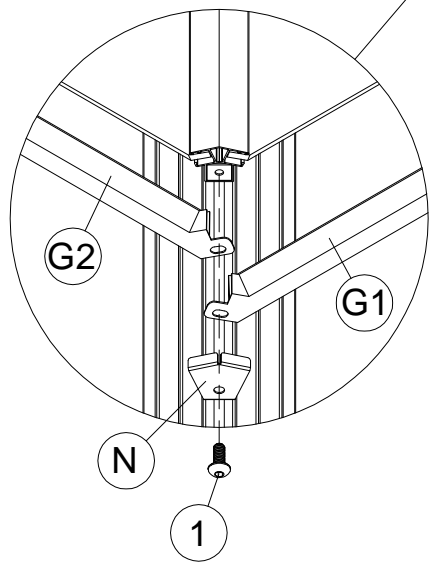
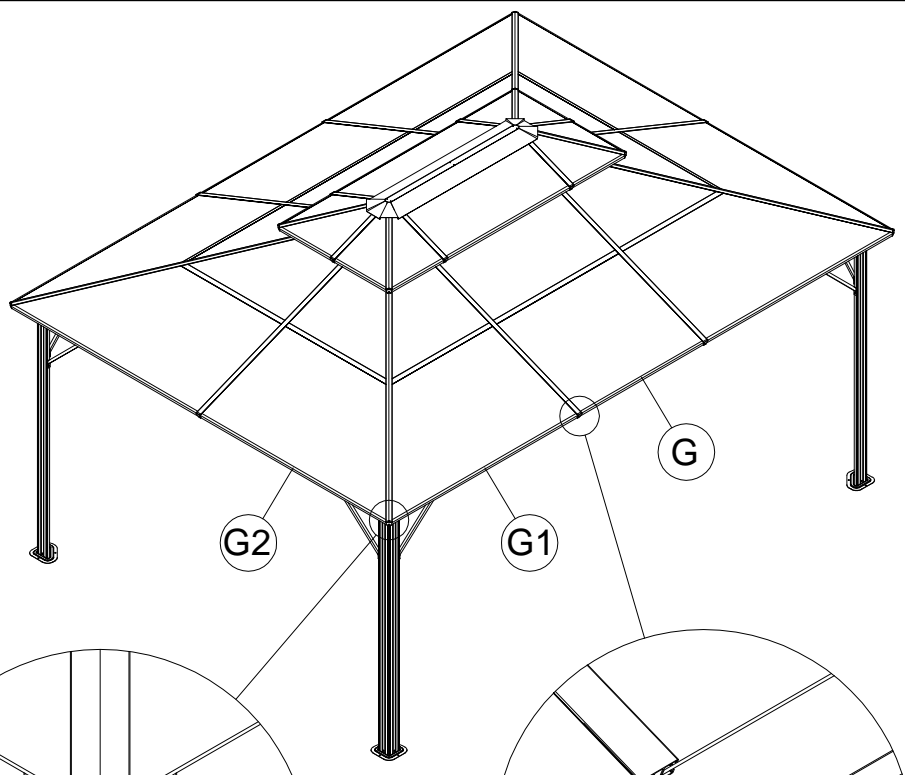
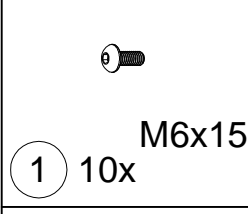
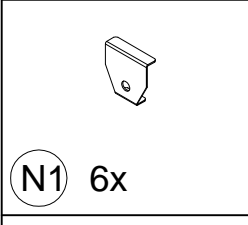
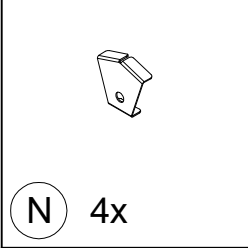
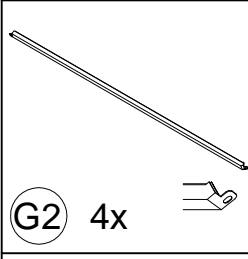
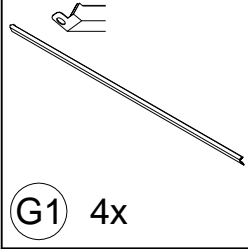
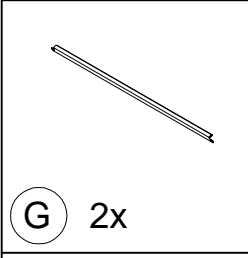
(R1) 4x

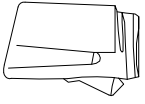


(R2) 4x



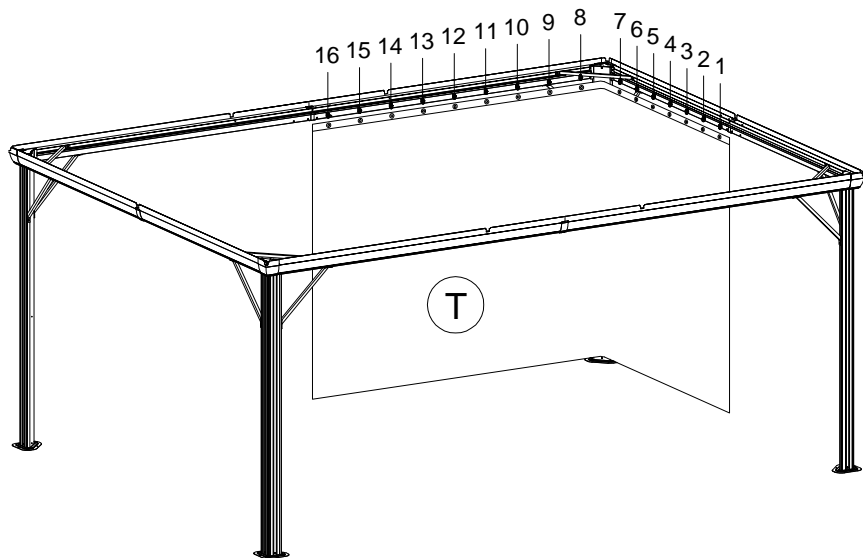
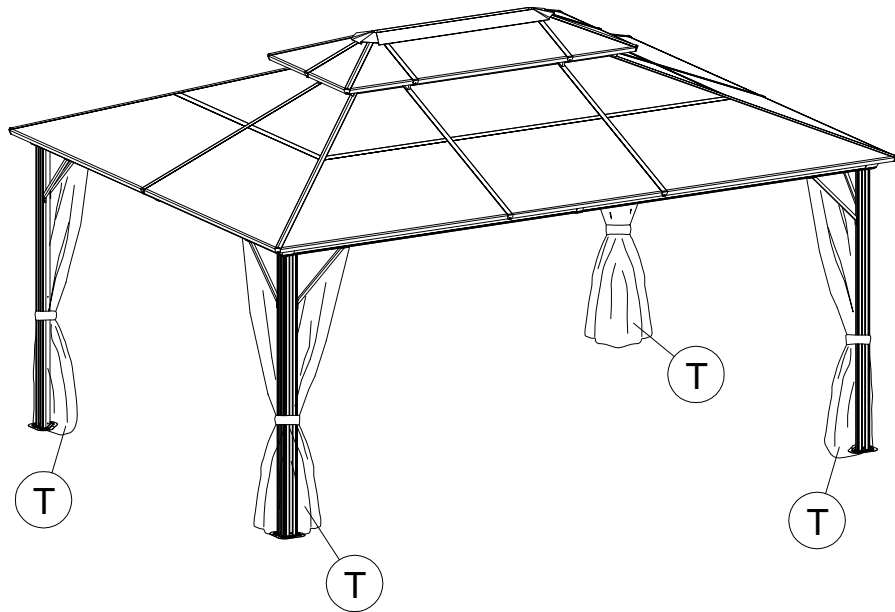
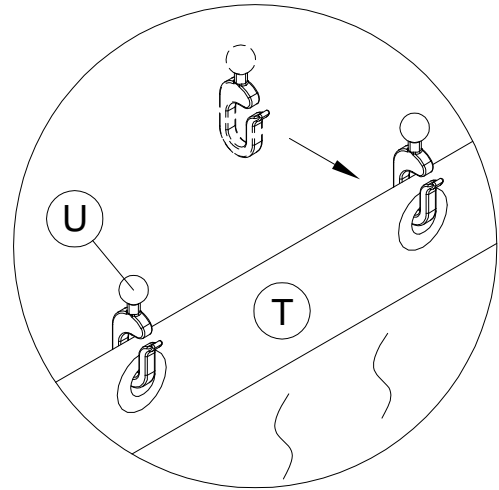
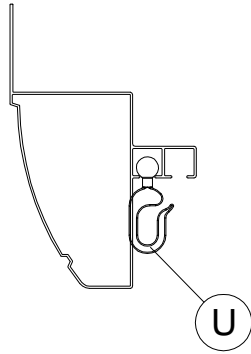
<16>

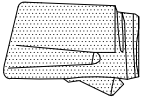




<17>

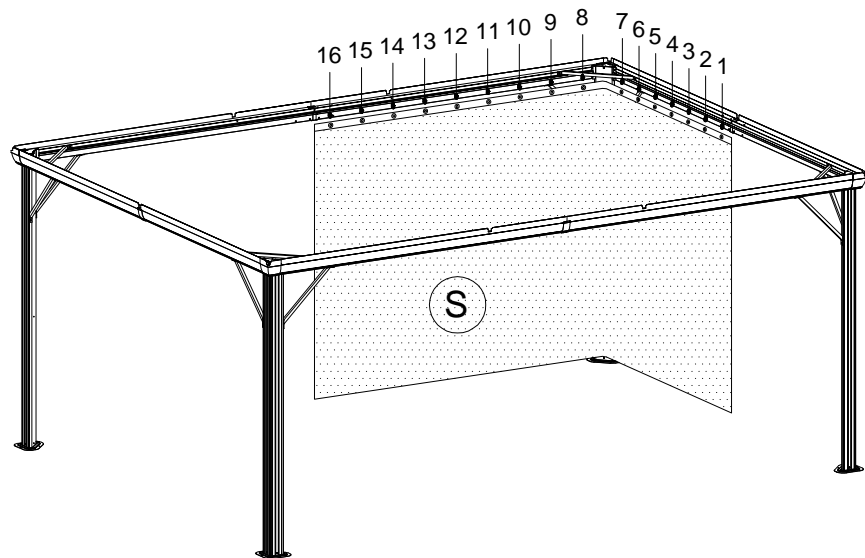
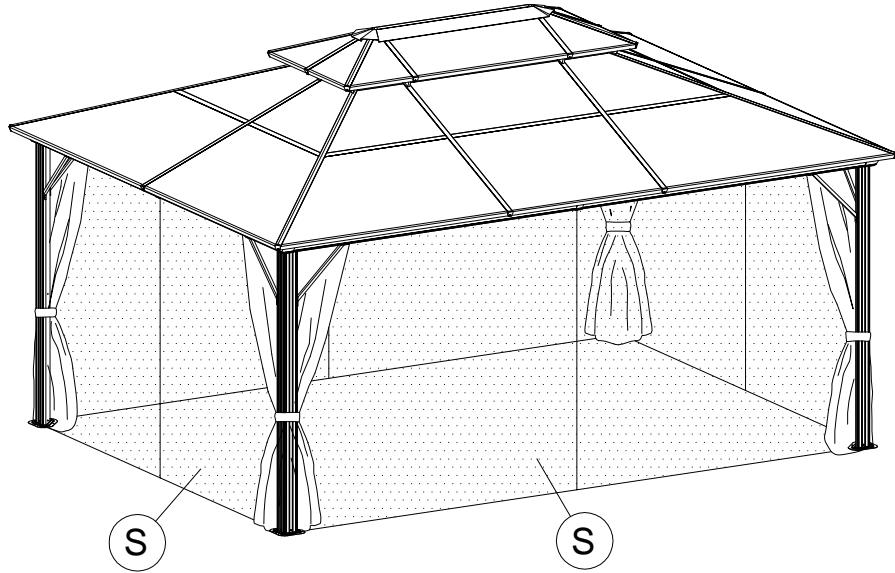
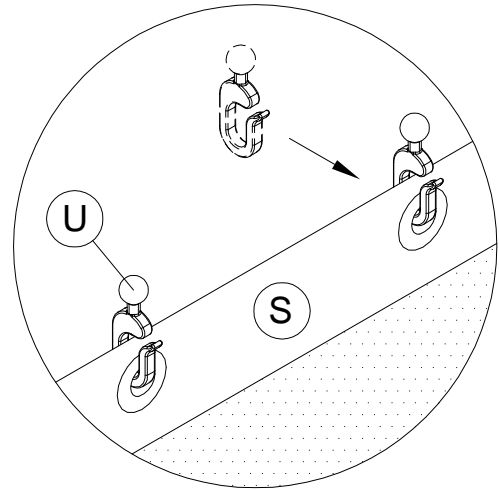
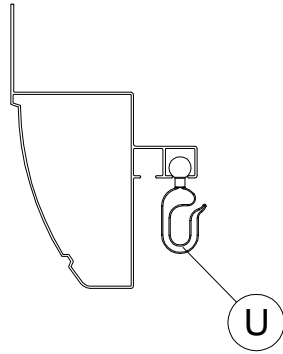
T 4x





<18>

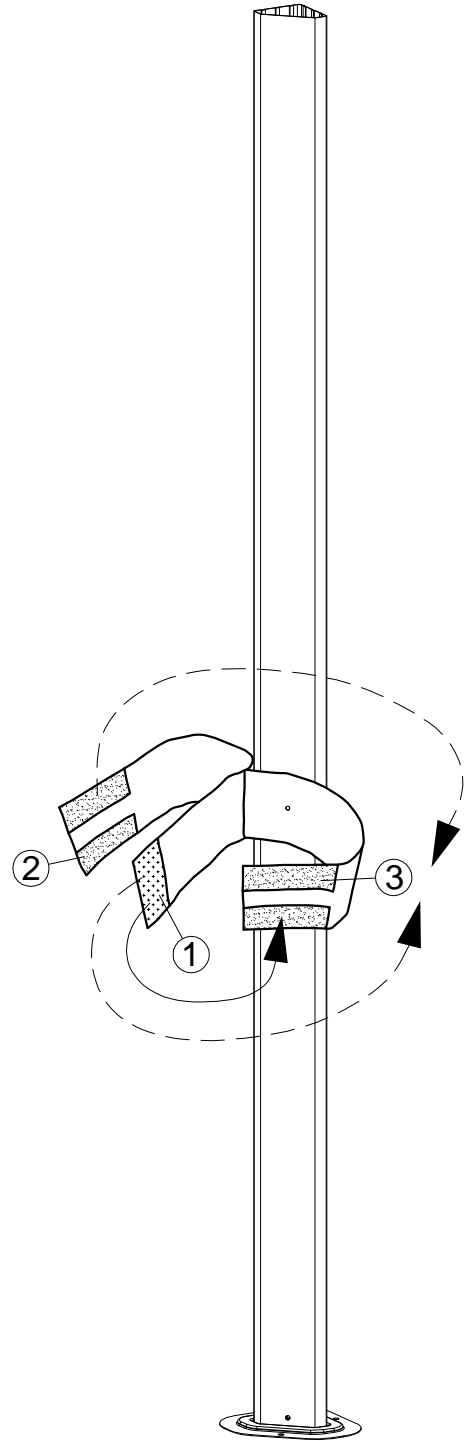
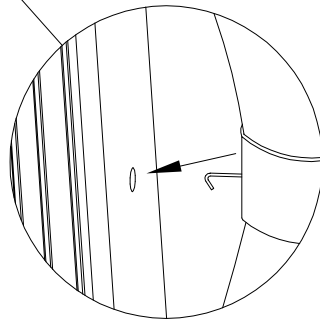
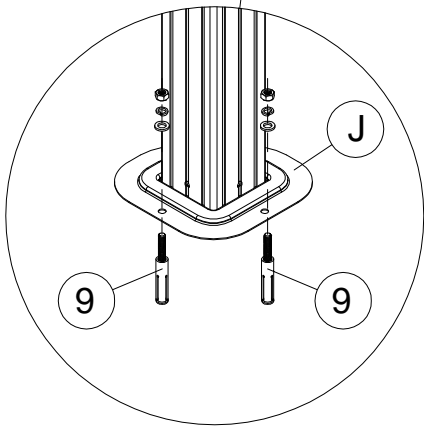
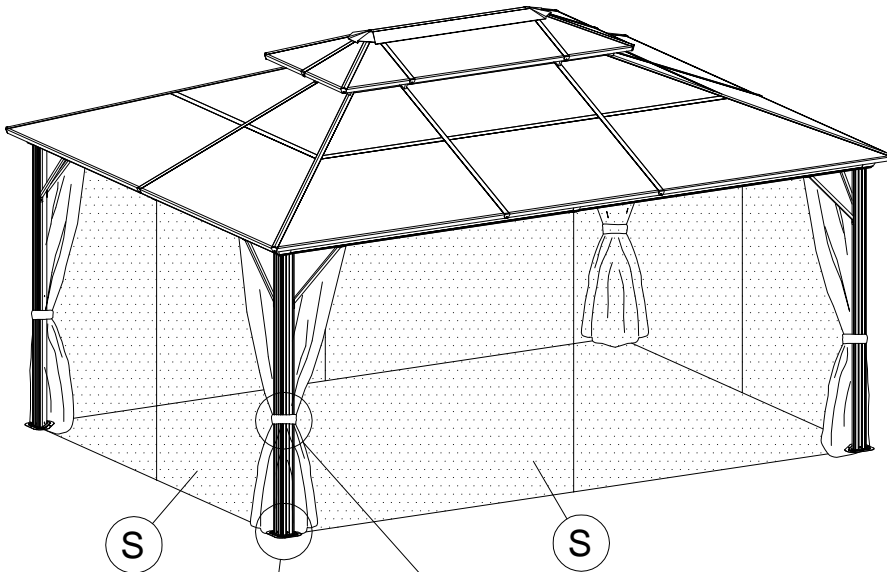
T1 4x + 1x





<19>

9 12x



Note:

1. 1 stick 2 tie S and T together
2. 1 stick 3 towards back tie T
3. 1 stick 3 towards front tie S

