

# ASSEMBLY INSTRUCTION

## 191B4983BU/DZ/RN-NT DAYBED WITH TRUNDLE

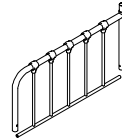
### PART LIST:



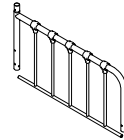
**A: Arm Post**  
2PCS



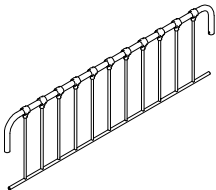
**B: Arm Post**  
2PCS



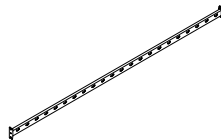
**C: LSF Arm**  
1PC



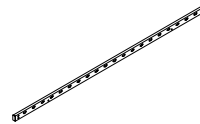
**D: RSF Arm**  
1PC



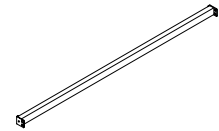
**E: Back Frame**  
1PC



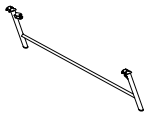
**F: Rail**  
2PCS



**G: Trundle Long Rail**  
2PCS



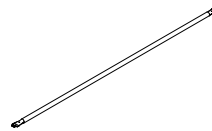
**H: Trundle Short Rail**  
2PCS



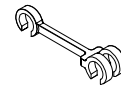
**I: Legs**  
2PCS



**J: Wheel**  
4PCS



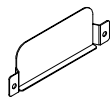
**K: Slat**  
42PCS  
(Daybed: 22pcs, Trundle: 20pcs)



**L: Spacer**  
40PCS  
(Daybed: 21pcs, Trundle: 19pcs)



**M: Slat Connector**  
84PCS



**N: Bracket**  
4PCS

### HARDWARE LIST:



**1: Bolt 5/16\*40mm**  
X 4pcs



**2: Bolt 1/4\*55mm**  
X 6pcs



**3: Bolt 1/4\*19mm**  
X 22pcs



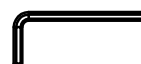
**4: Bolt 5/16\*19mm**  
X 8pcs



**5: Bolt 5/16\*34mm**  
X 4pcs



**6: Nut 5/16**  
X 8pcs



**7: Allen Key**  
X 1pc

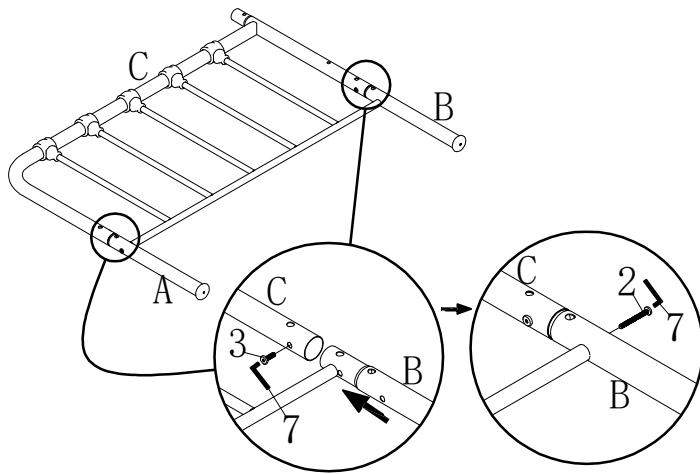


**8: Wrench**  
X 1pc

Note: Please do not tighten all bolts until the bed is assembled completely.

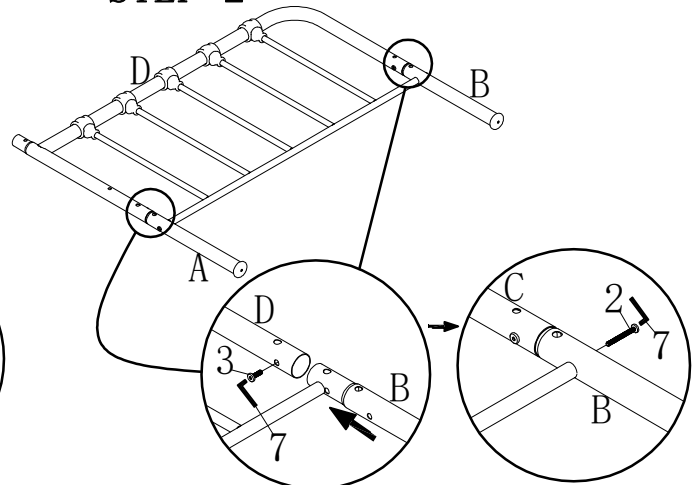
### DAYBED ASSEMBLY

#### STEP 1



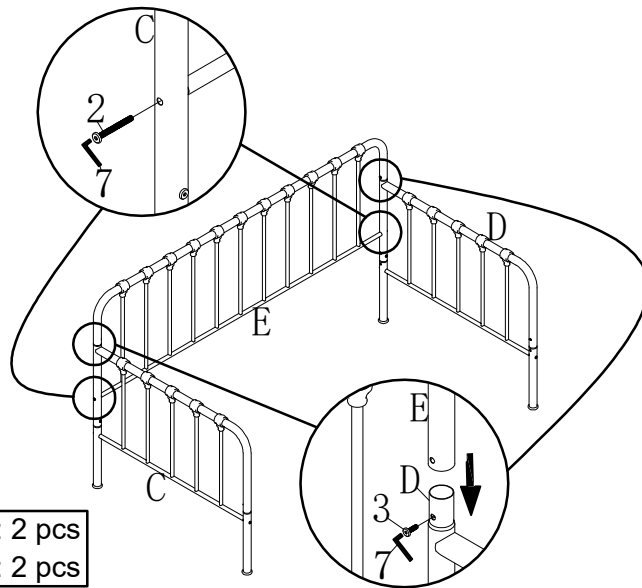
Hardware 2: 2 pcs  
Hardware 3: 2 pcs

#### STEP 2



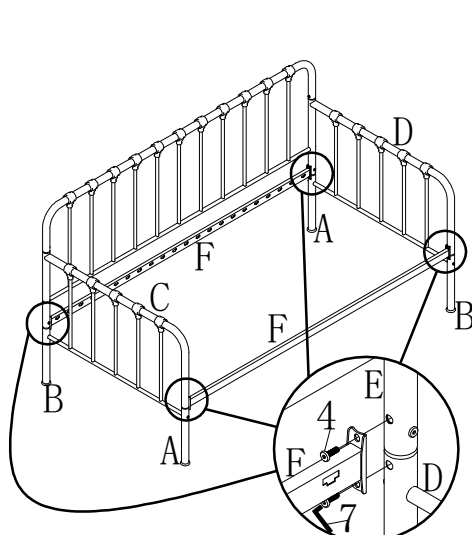
Hardware 2: 2 pcs  
Hardware 3: 2 pcs

#### STEP 3



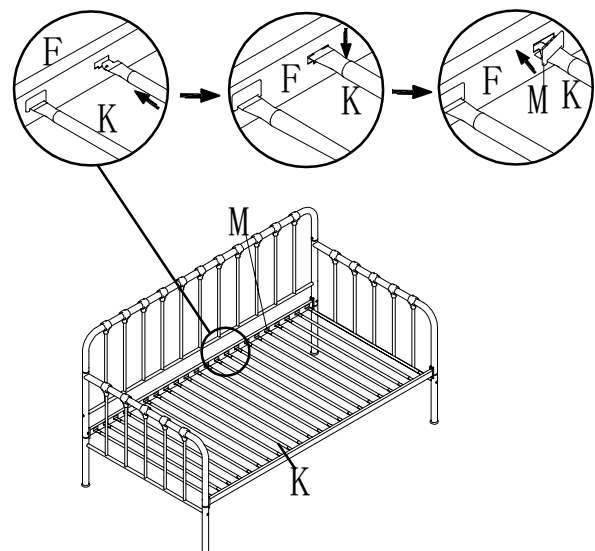
Hardware 2: 2 pcs  
Hardware 3: 2 pcs

#### STEP 4



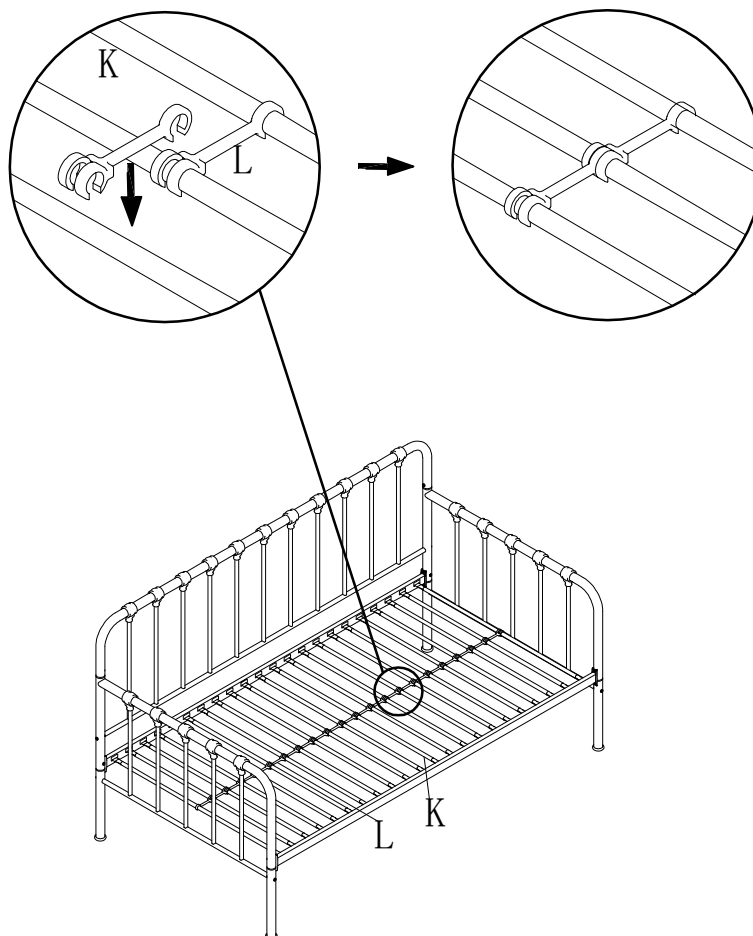
Hardware 4: 8 pcs

#### STEP 5

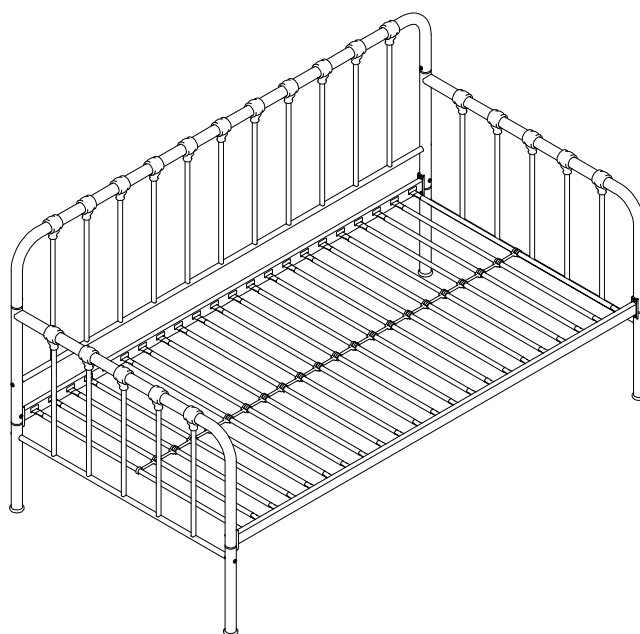


Note: Please do not tighten all bolts until the bed is assembled completely.

STEP 6



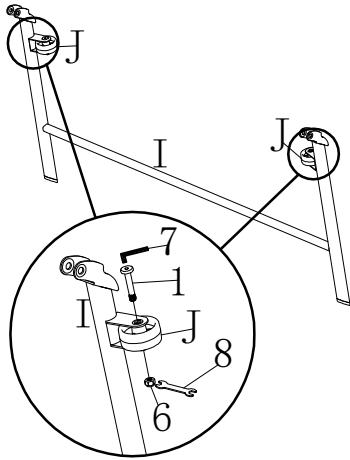
DAYBED COMPLETED



Note: Please do not tighten all bolts until the bed is assembled completely.

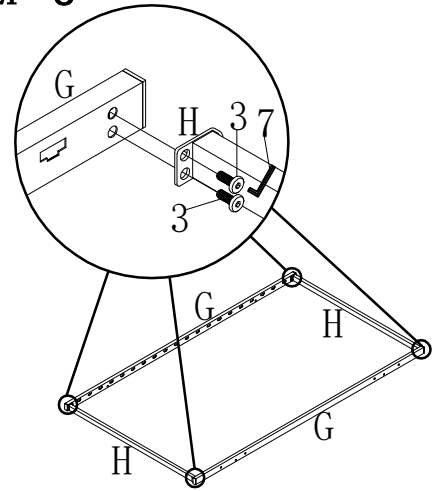
### TRUNDLE ASSEMBLY

#### STEP 7



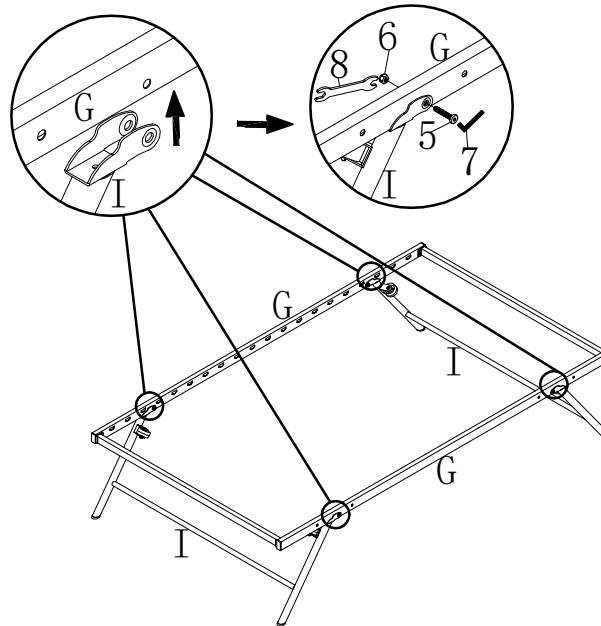
Hardware 1: 4 pcs  
Hardware 6: 4 pcs

#### STEP 8



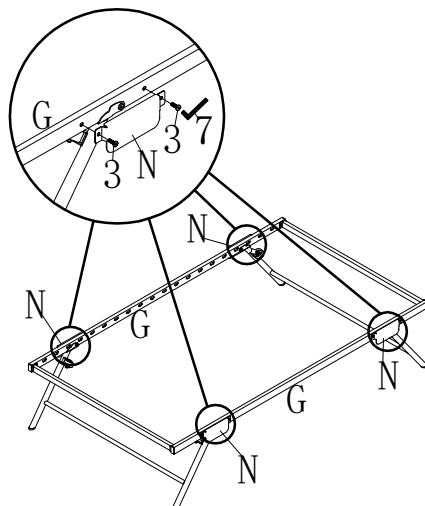
Hardware 3: 8 pcs

#### STEP 9



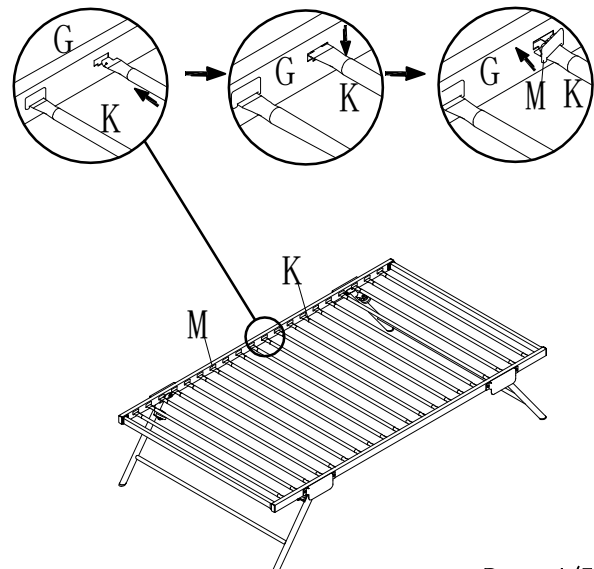
Hardware 5: 4 pcs  
Hardware 6: 4 pcs

#### STEP 10



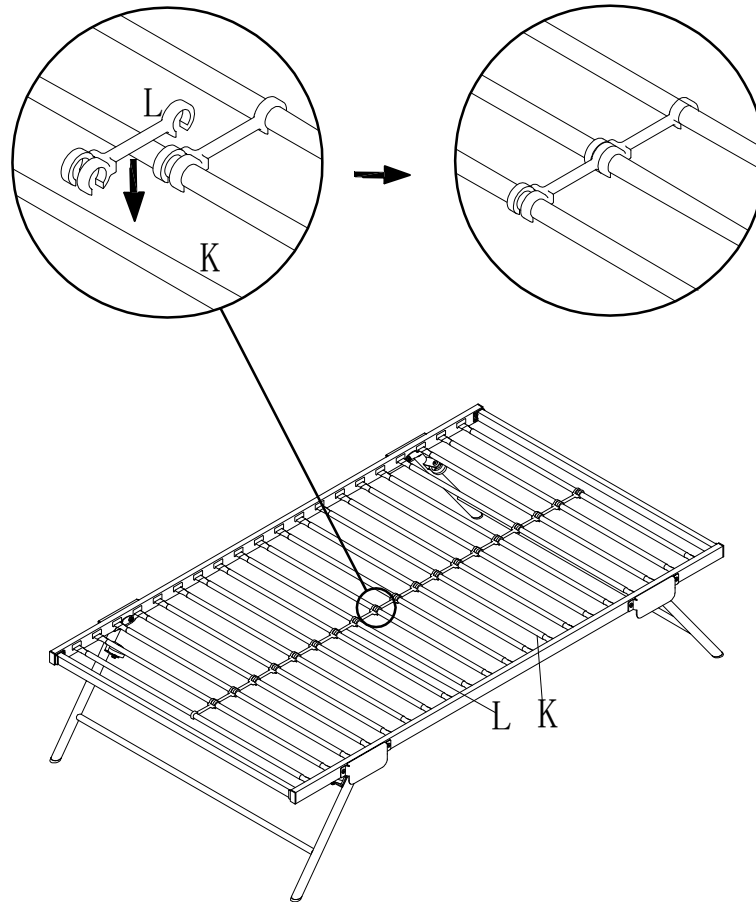
Hardware 3: 8 pcs

#### STEP 11



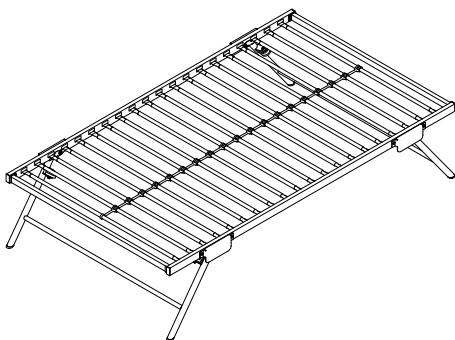
Note: Please do not tighten all bolts until the bed is assembled completely.

STEP 12



TRUNDLE COMPLETED

COMPLETED



For items use on wooden floor, hard surfaces or carpets, it is recommended to Install protective pads under all legs and supports to avoid/prevent from damages/scratches and discoloration.