

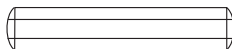
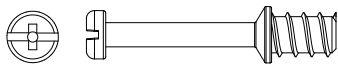
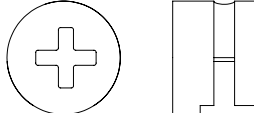

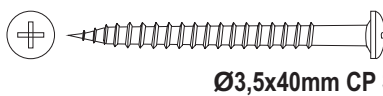
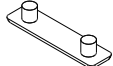
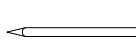
Seattle Desk

1.0 Version



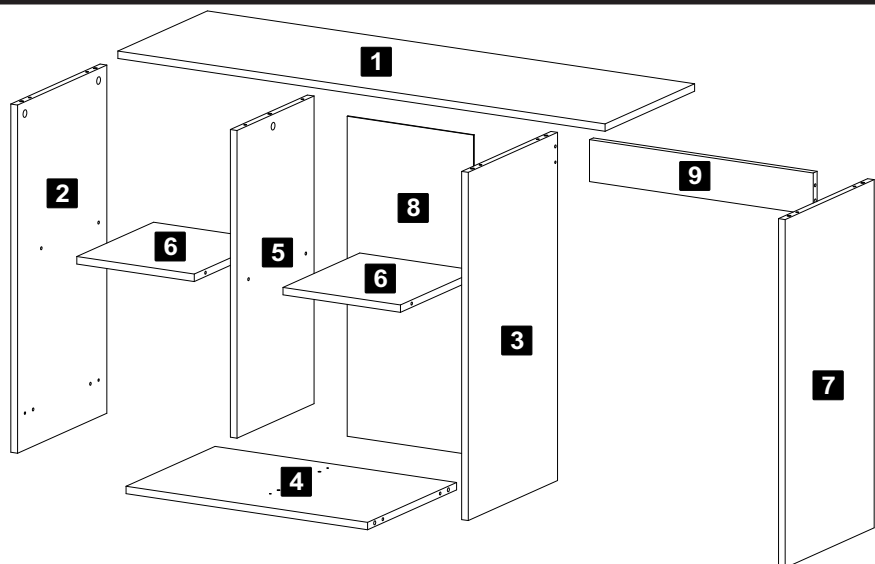
Assembly tools are not provided.
www.artely.com.br

Hardware List

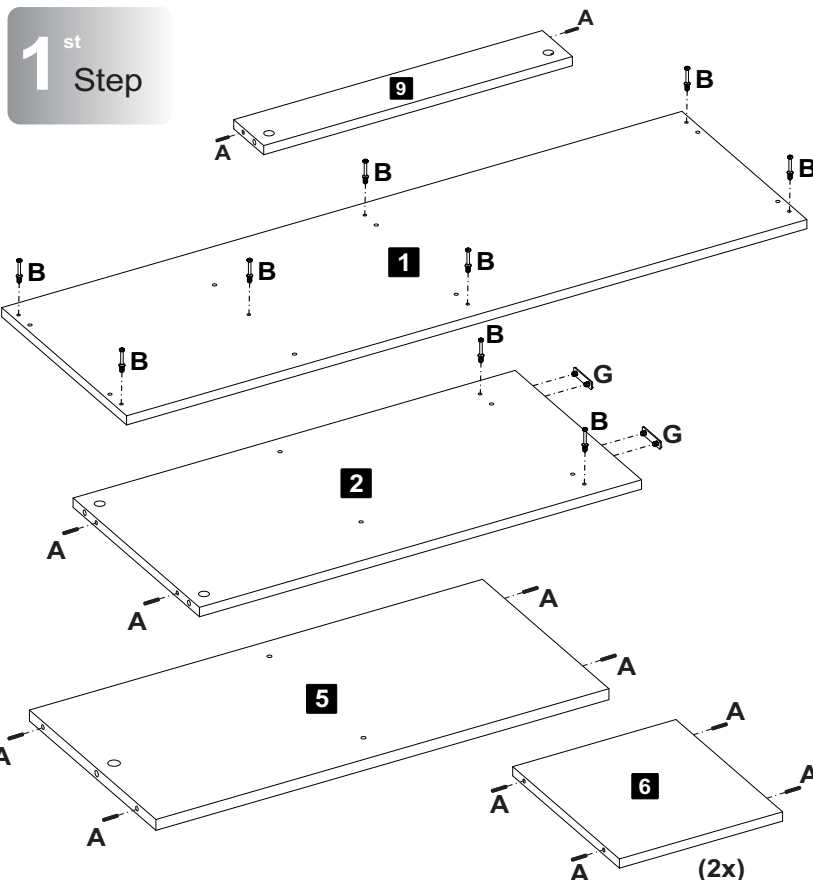
A		Peg	24
B		Minifix	13
C		Minifix Cam	13
D		Hole Cover	07
F		Ø3,5x40mm CP Screw	02
G		Foot	06
H		8x8 Nail	16

Conservation and Cleaning

Do not expose the product to sunlight, high temperatures and humidity. Do not drag objects across the surface of the unit (TV, DVD, stereo, decorative objects ...). Keep it in a fresh dry place. For cleaning, use a dry and soft cloth. Do not use abrasive materials or alcohol.

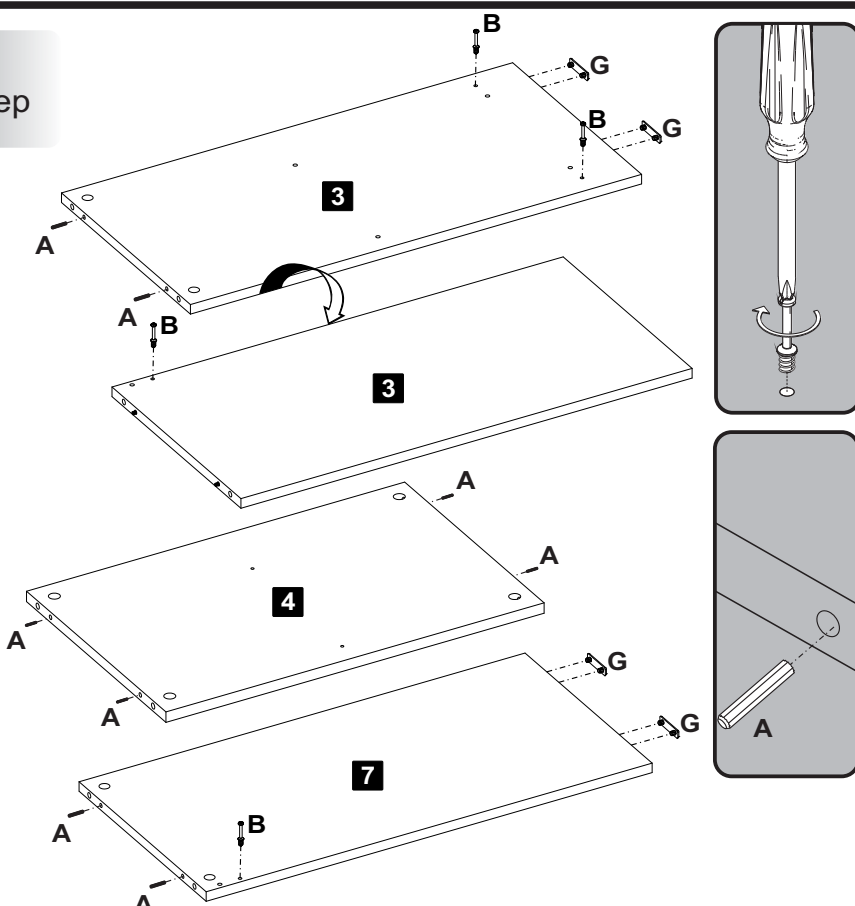


Description	Qty
1-Top (1100x350x15mm)	1
2-Left side (705x349x15mm)	1
3-Right side (705x349x15mm)	1
4-Base (455x348x15mm)	1
5-Partition (623x301x15mm)	1
6-Shelf (300x220x15mm)	2
7-External (705x348x15mm)	1
8-Back (648x240x3mm)	1
9-Crosspiece (595x80x15mm)	1



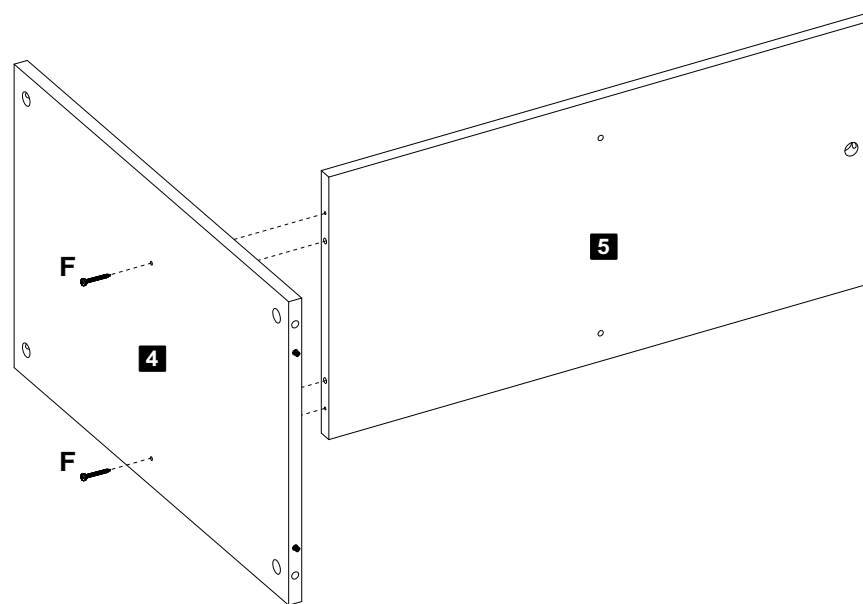
A Peg 16 **B** Minifix 09 **G** Foot 02

2nd Step



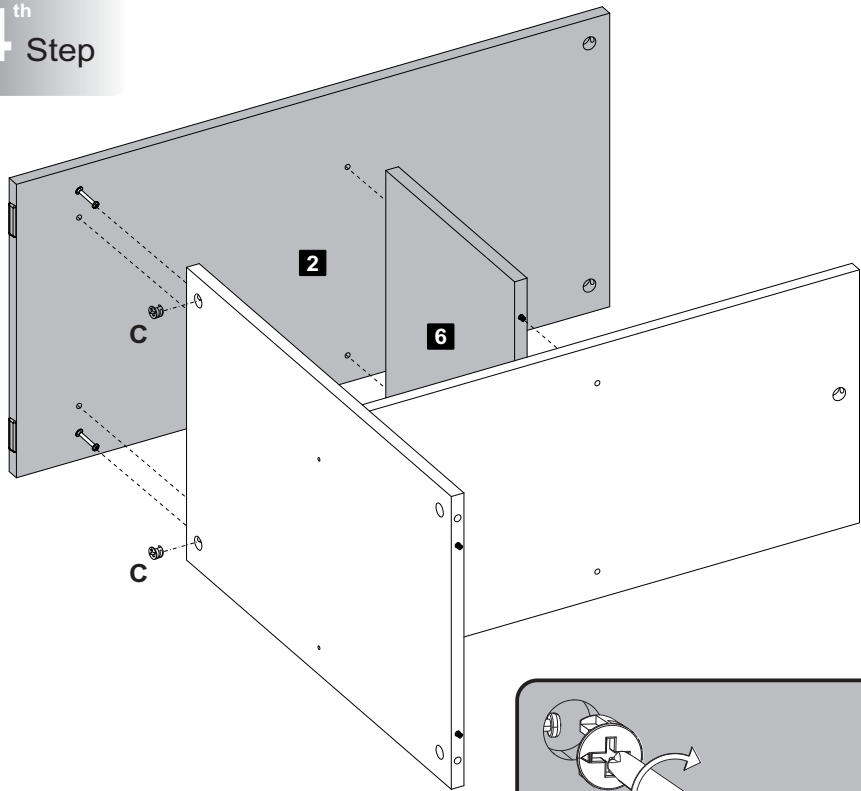
A Peg 08 **B** Minifix 04 **G** Foot 04

3rd Step



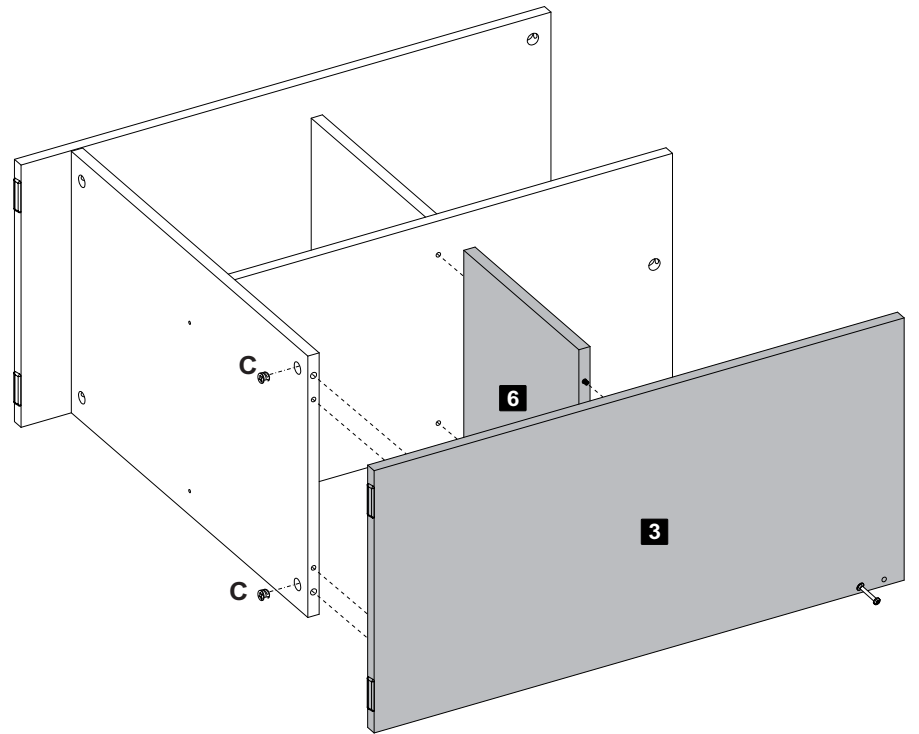
F Ø3,5x40mm CP Screw 02

4th Step



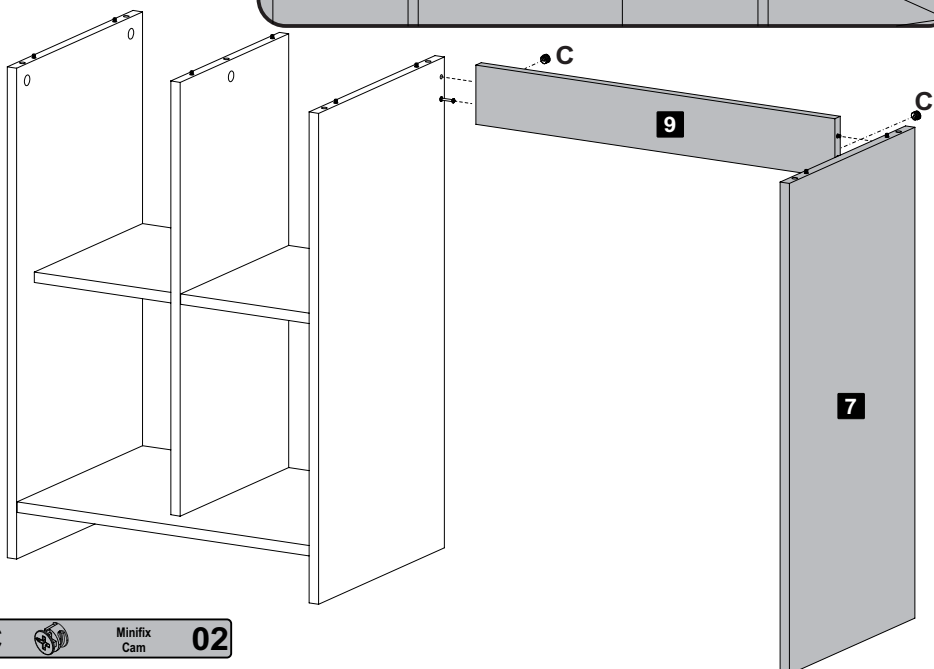
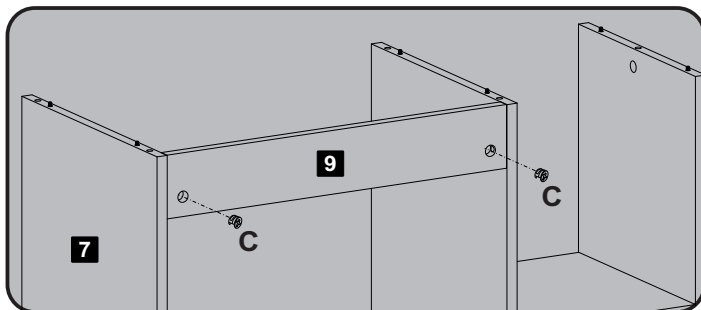
C Minifix Cam 02

5th Step



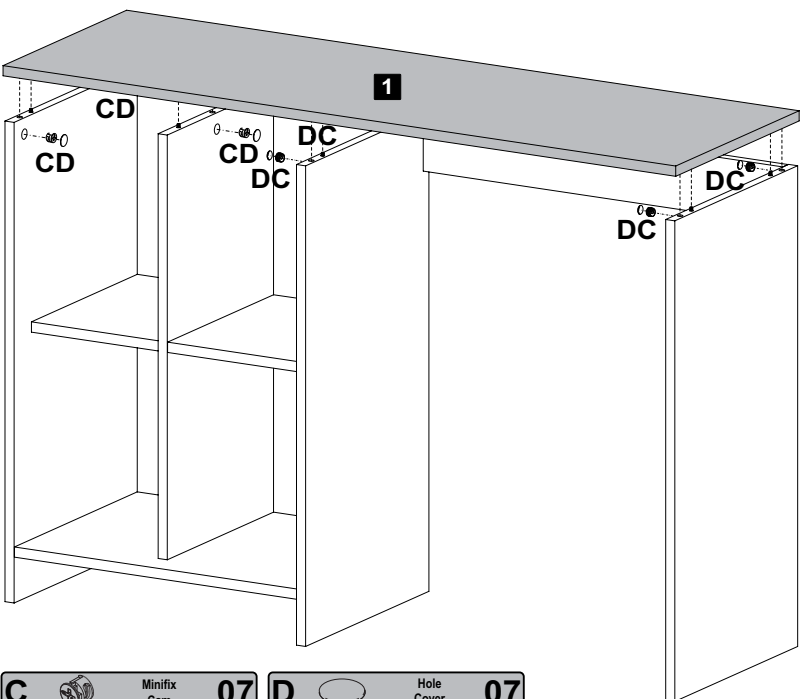
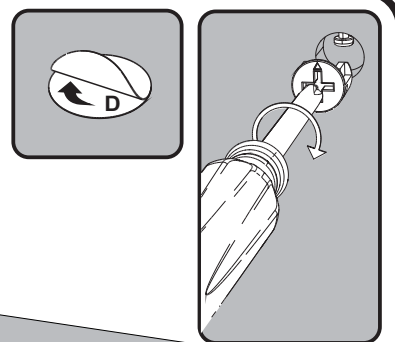
C Minifix Cam 02

6th Step



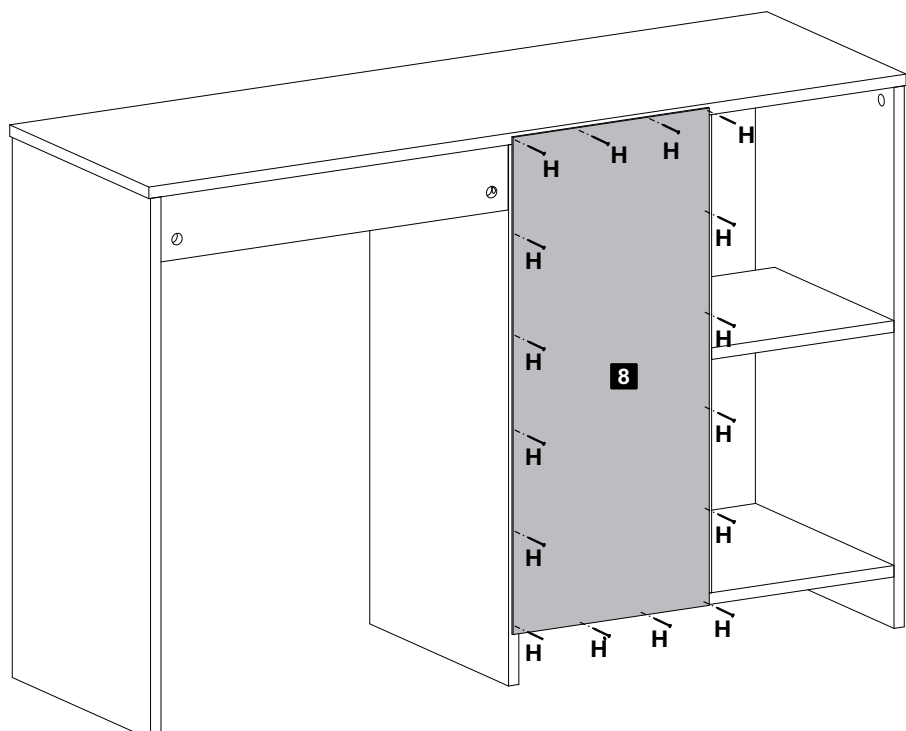
C Minifix Cam 02

7th Step



C Minifix Cam 07 D Hole Cover 07

8th Step



H 8x8 Nail 16



ARTELY®
Complementos para Sala

ARTELY MÓVEIS LTDA

ALAMEDA ARPO, 2333

ZIP CODE: 83010-290

SÃO JOSÉ DOS PINHAIS

PR - BRASIL

Phone Number: 55 41 3381-5000

e-mail: elaine@artely.com.br

www.artely.com.br