

# ASSEMBLY INSTRUCTIONS

Read this instruction carefully. See hardware and Furniture part list for guidance.

Be sure all parts are complete, before you assemble. Place all wooden prevent from being scratched.



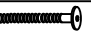



Follow the figure to start assembling.

**CAUTIONS:** 1. Do not FULLY- TIGHTEN the nut or bolt until all nut and bolt is ready assembled.

2. Do not OVER - TIGHTEN the nut or bolt avoid causing damages to the thread.

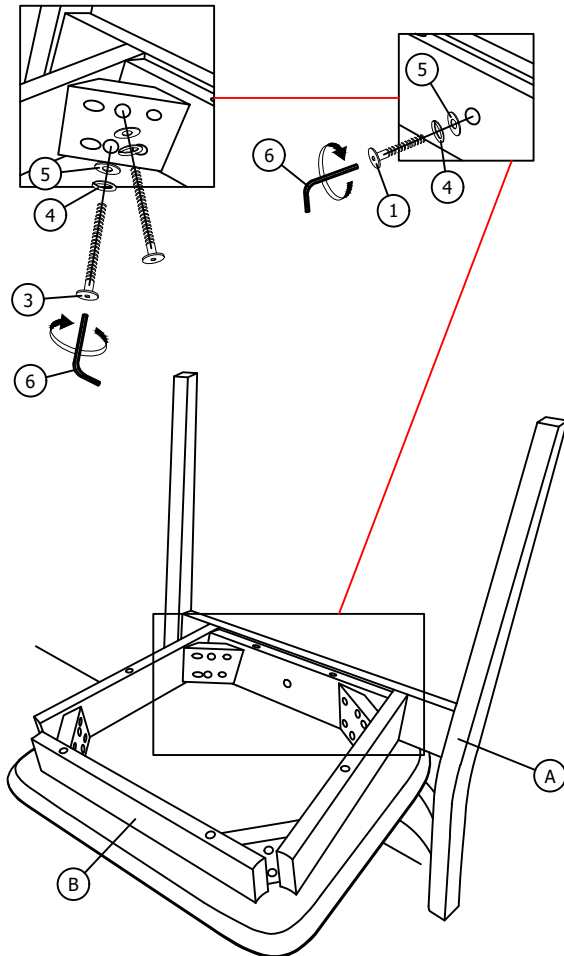
3. Keep all hardware parts out of reach of children.

PART LIST		
ITEM	DESCRIPTION	QTY
A	CHAIR BACK	1 PC
B	CHAIR SEAT	1 PC
C	CHAIR FRONT LEG	2 PCS

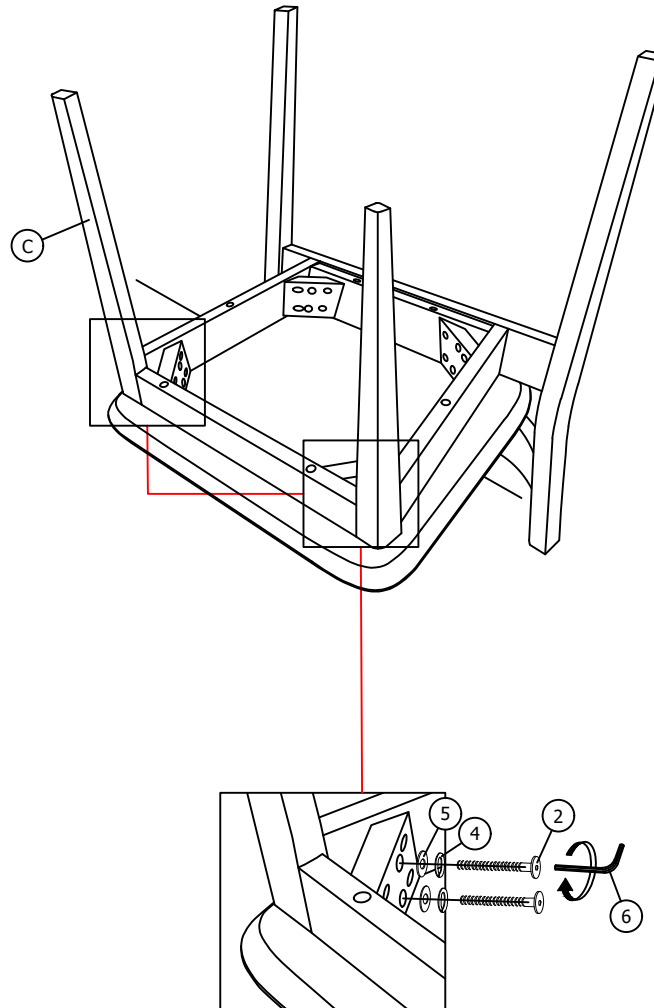
HARDWARE LIST		
ITEM	DESCRIPTION	QTY
1	JCBC SCREW M6 x 40mm 	2 PCS
2	JCBC SCREW M6 x 70mm 	8 PCS
3	JCBC SCREW M6 x 80mm 	8 PCS
4	SPRING WASHER M6 	18 PCS
5	FLAT WASHER M6 x 19mm 	18 PCS
6	ALLEN KEY M4 	1 PC

NOTE: THE LIST AND QUANTITY SHOWN ARE FOR 1 UNIT ASSEMBLY.

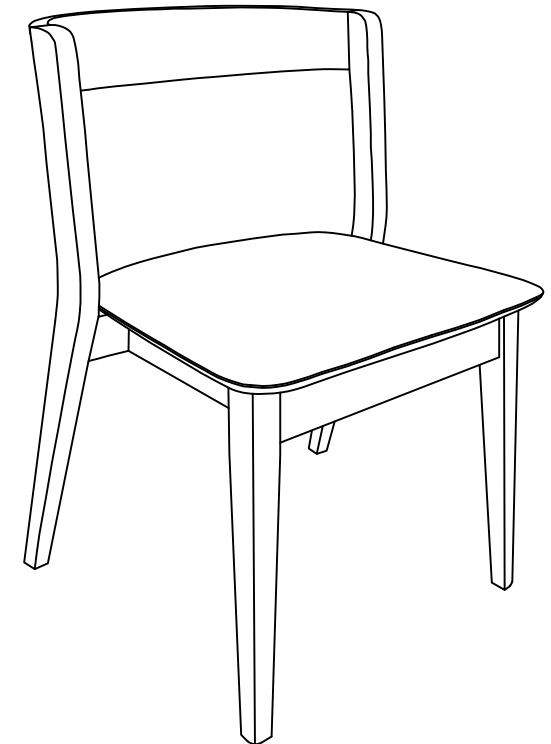
## STEP 01



## STEP 02



## STEP 03



FULLY SET-UP (CHAIR)