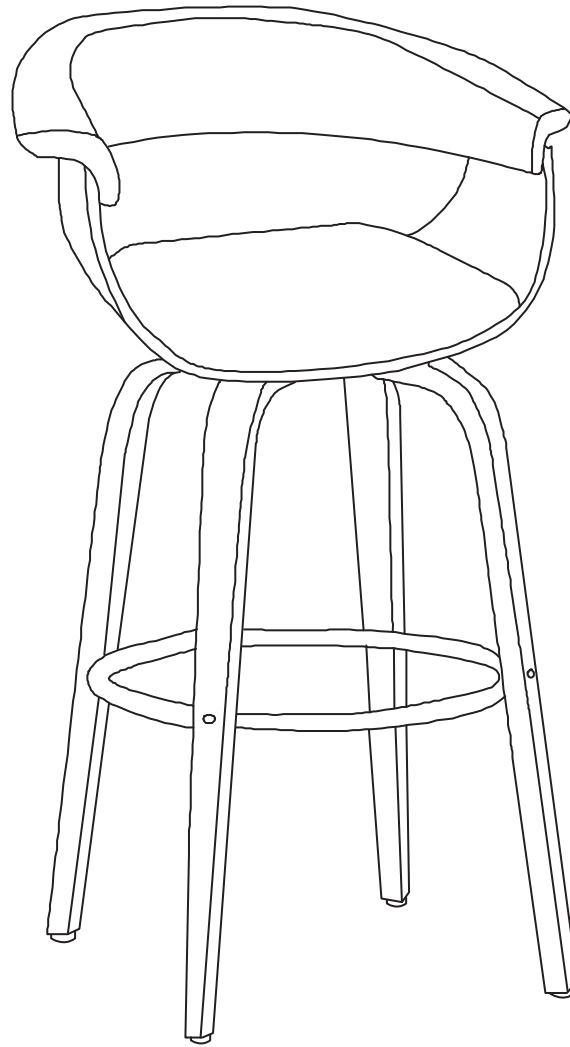


## ASSEMBLY INSTRUCTION

# BAR STOOL



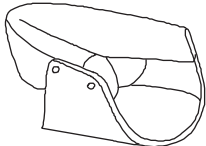

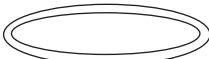
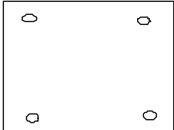
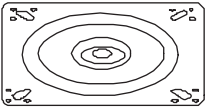


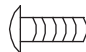

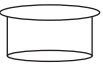


Please carefully unpack and identify each component before beginning assembly. Before you begin, please refer to parts list to make sure that you have all parts. Please take care when assembling the unit and always place the parts on a clean, soft surface. If you require assistance with assembly or parts, please call 888-357-7263.

Get social with us and discover more about our products, tips and exclusive discounts!



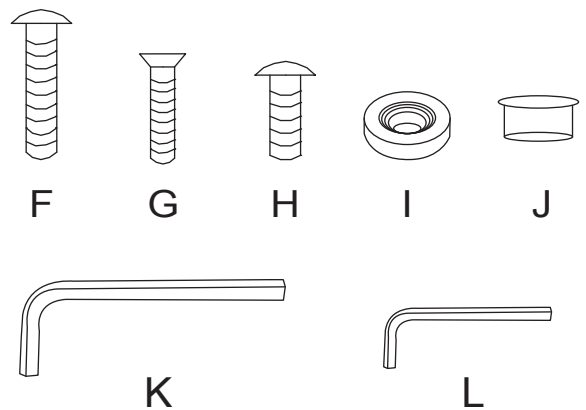
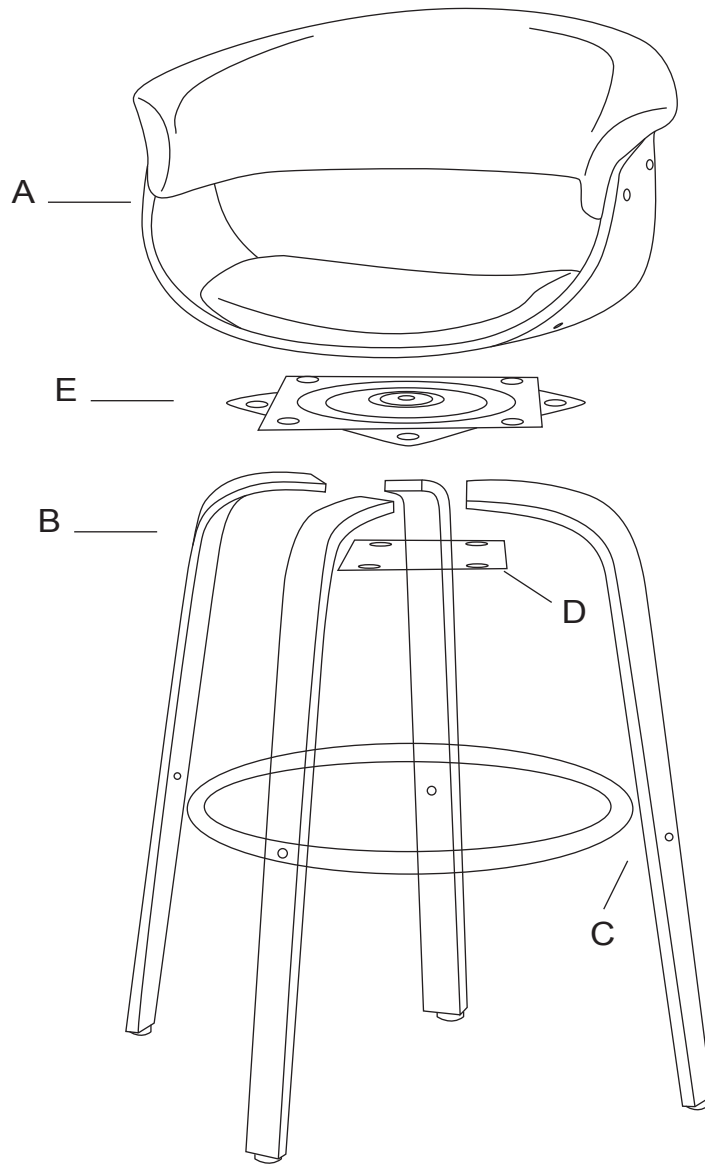
## PRE-ASSEMBLY PREPARATION

- **CAUTION:** Assembly will require at least 2 adults. DO NOT use power tools. Please inspect all items BEFORE assembly. If for any reason you need to return this item, please kindly return it in its original packaging.
- **WARNING!**
  1. DO NOT let any sharp objects touch or rub the surface of the product.
  2. When assembling, do not let children play around the working area.
  3. DO NOT tighten all bolts and screws completely until the entire unit has been assembled and set up.
  4. DO NOT USE if this product become damaged, and/or components are broken or missing.
- **CARE AND CLEANING:** DO NOT scratch or chip the finish. DO NOT use abrasive chemicals for cleaning. Clean with mild soap on a soft rag. Rinse and dry thoroughly.
- **MAINTENANCE:** Please periodically check all fittings and re-tighten as necessary.

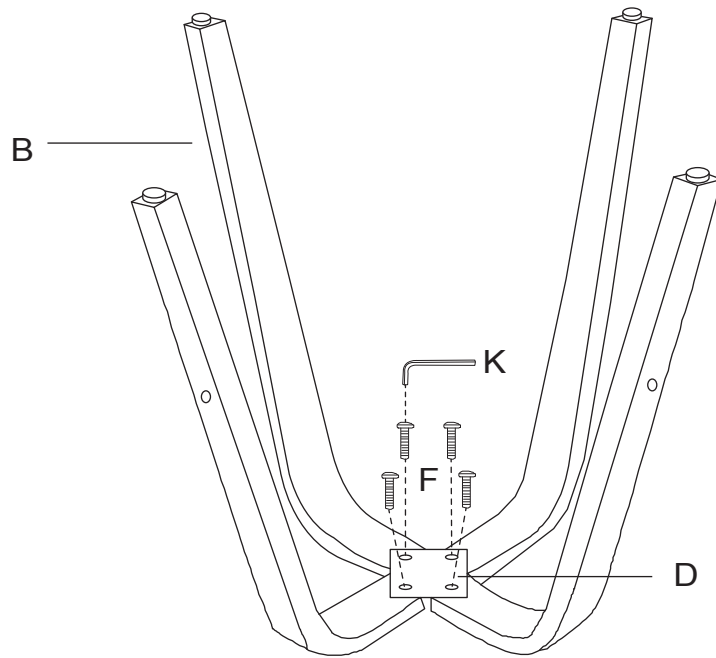
PARTS LIST			
SEAT (A)  Qty: 2	LEG (B)  Qty: 8	FOOTREST (C)  Qty: 2	CONNECTOR (D)  Qty: 2
SWIVEL MECH (E)  Qty: 2			
HARDWARE LIST			
LONG SEMICIRCLE HEAD BOLT (F) M6X25MM  Qty: 12	COUNTERSUNK HEAD BOLT (G) M6X25MM  Qty: 8	SHORT SEMICIRCLE HEAD BOLT (H) M6X20MM  Qty: 12	WASHER (I)  Qty: 4
CAP (J)  Qty: 8	BIG ALLEN KEY (K)  Qty: 1	SMALL ALLEN KEY (L)  Qty: 1	

## STEP-BY-STEP ASSEMBLY

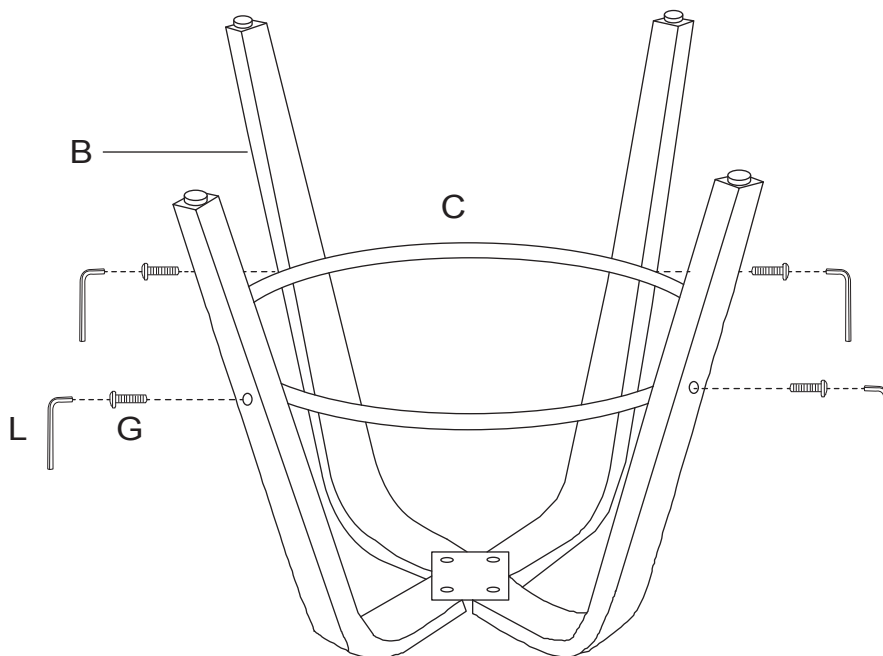
PLEASE CAREFULLY UNPACK AND IDENTIFY EACH COMPONENT BEFORE BEGINNING ASSEMBLY. BEFORE YOU BEGIN, PLEASE REFER TO PARTS LIST TO MAKE SURE THAT YOU HAVE ALL PARTS.



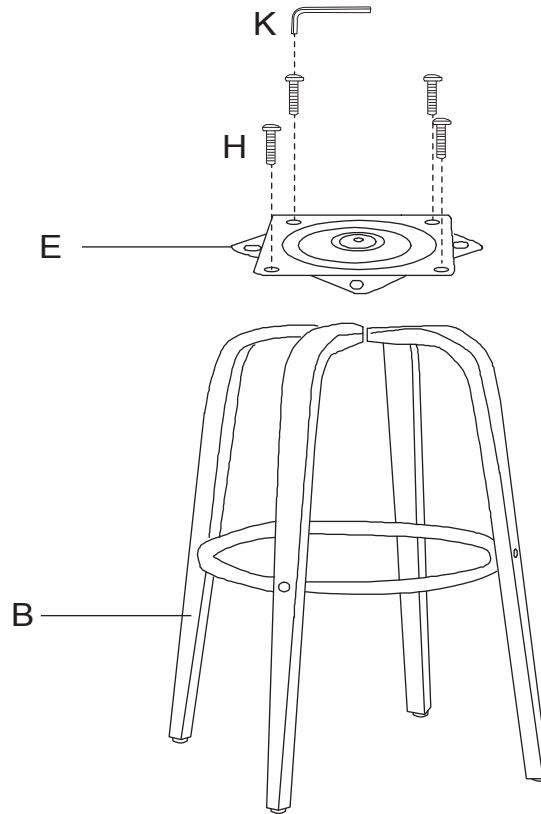
**STEP 1** Attach Connector (D) to four pieces of Leg (B) by using Long Semicircle Head Bolt (F) and Big Allen Key (K) as shown in below diagram, please do tighten bolts 70%.



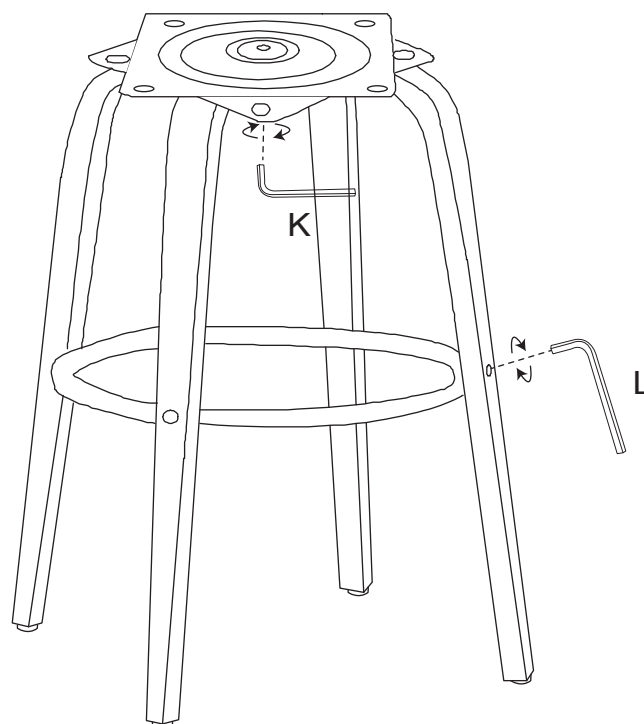
**STEP 2** Attach Footrest (C) to the legs (B) by using Coun-ter-sunk Head Blot (G) and Small Allen Key (L) as shown in below diagram, please do tighten bolts 70%.



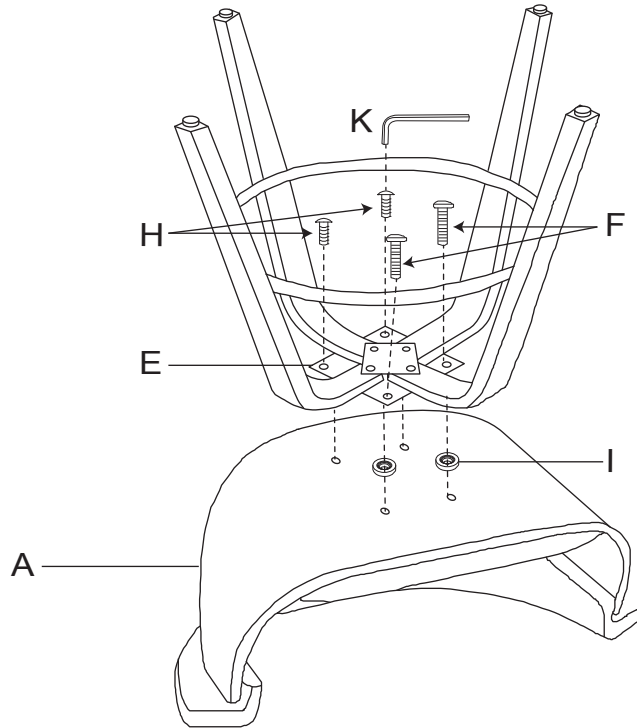
**STEP 3** Attach Swivel Mech. (E) to the Legs (B) Short Semicircle Bolt (H) and Big Allen Key (K) as shown in below diagram. please make sure to tighten bolts (H) 100% in this step.



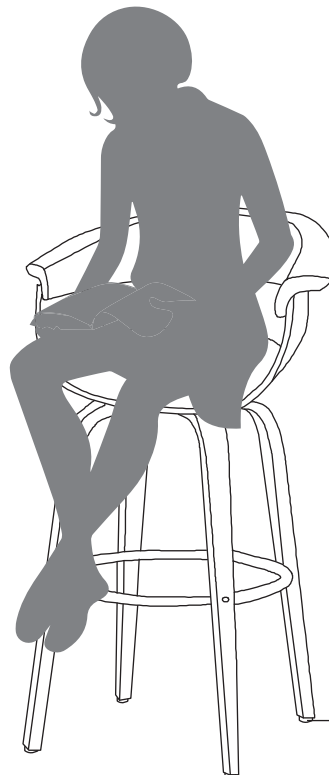
**STEP 4** Please make sure to tighten bolts (G) and bolts (F) 100% in this step as shown in below diagram.



**STEP 5** Attach Swivel Mech (E) to the Seat (A) by using Long Semicircle Head Bolt (F), Washer (I) and Big Allen Key (K) from the front side, by using Short Semicircle Bolt (H) and Big Allen Key (K) from the back side as shown in below diagram. Please make sure to tighten bolts (G) and bolts (H) 100% in this step.



**STEP 6** Use your body weight to adjust balance of this counter stool, then recheck and ensure 100% tighten all the bolts all the way.



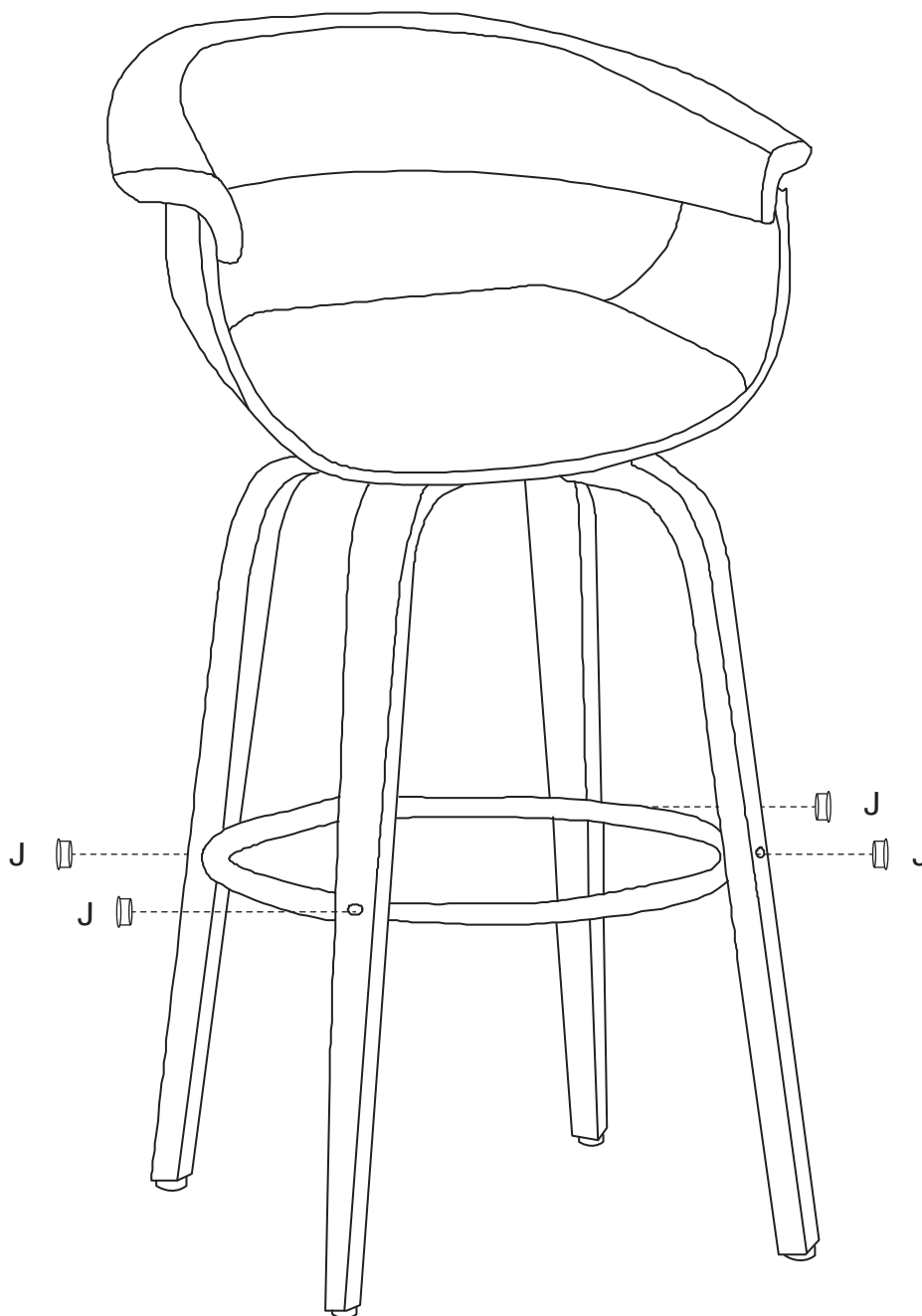
**Reminder!!**  
Use Adjustable Leveler  
to adjust the level of  
counter stool if necessary.

Adjustable leveler

**STEP 7** Please use the Cap (J) to cover the holes of bolts as shown in below diagram. After initial assembly, the product may acclimate to its new environment. Please ensure all screws are still securely tightened.

***Additional note about safety:***

Bolts may loosen during normal everyday use. They should be periodically inspected and re-tightened to prevent damage or injury. Remember to save your wrench to use to tighten.



glit<sup>+</sup>home<sup>®</sup>

---

**Glit<sup>+</sup>home ,LLC.**

Toll free 888-357-7263

[customerservice@glit<sup>+</sup>home.com](mailto:customerservice@glit<sup>+</sup>home.com)