

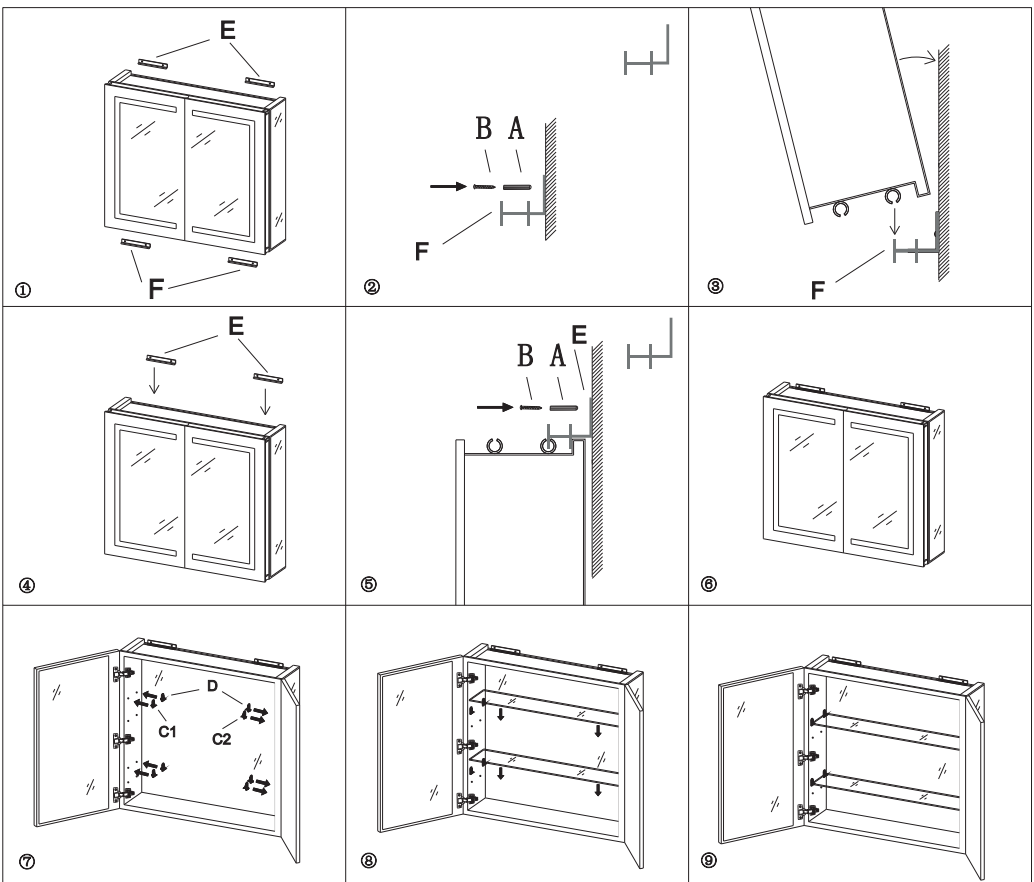
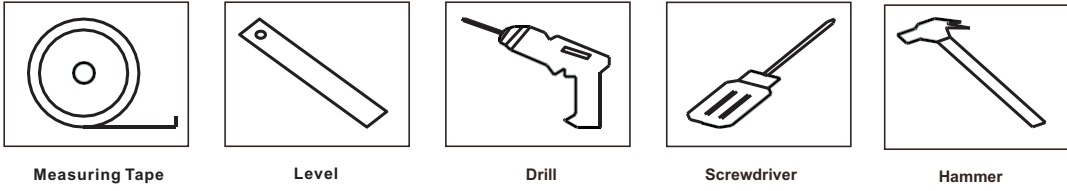


LEXORA
HOME DECOR & HOME FURNISHINGS

Installation Instructions for LED Medicine Cabinet

Note: To ensure general use of this product please follow the installation instructions carefully. Must be installed indoors and on a suitable load bearing wall. Installation should be done by a licensed contractor and/or electrician. Only a clean soft cloth should be used to clean this product.

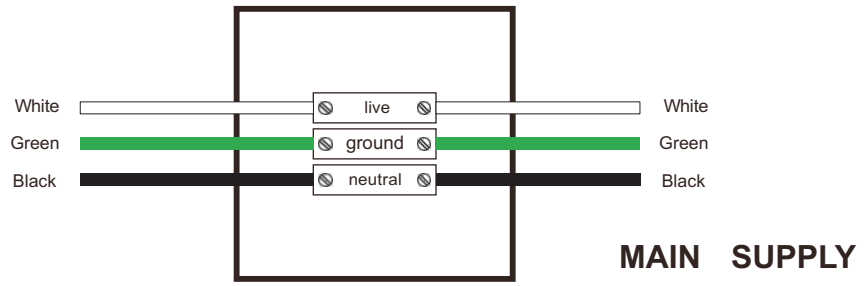
Installation Tools Needed



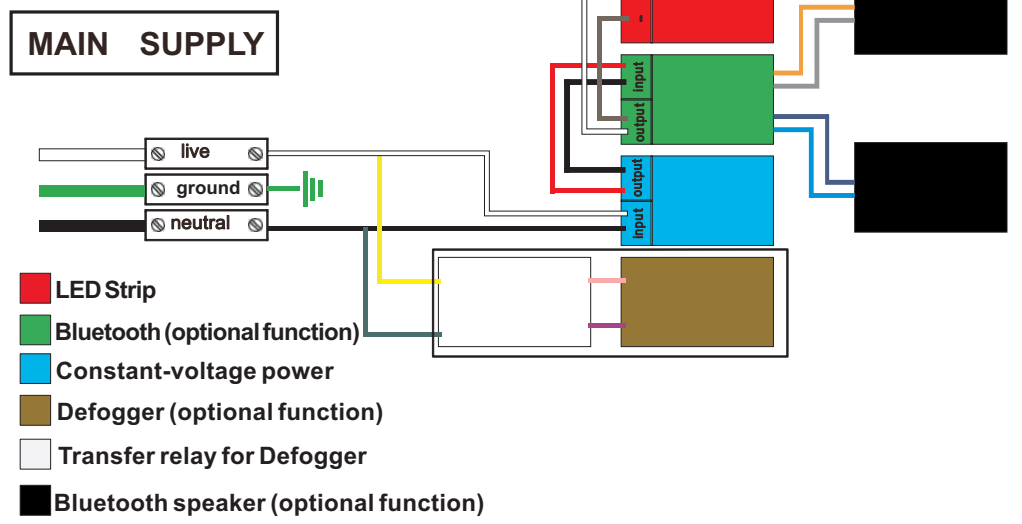
Installation Instructions:

- Fig①: Unpack the "E" and "F" mounting brackets.
- Fig②: Install the "F" bracket using the "A" anchor and "B". Make sure the "F" bracket is in the horizontal position.
- Fig③: Lift the medicine cabinet and securely place in the "F" bracket as shown in the illustration.
- Fig④: Hold the cabinet in the upright position and securely fasten the "E" bracket in the groove on top of the cabinet.
- Fig⑤: Use "A" anchor and "B" screw through the mounting hole to secure the "E" bracket to the wall.
- Fig⑦: Insert the provided shelf clips (C1/C2/D) into the round holes on both sides of the cabinet.
- Fig⑧: After installing the shelf clips, insert the glass shelf(s).

Wiring diagram for input terminal



Electronic Diagram



CAUTION:

During operation of this product, never use hard or sharp objects directly against the mirror surface, as it may result in damage and/or personal injury. Clean the product with a soft cloth and mild detergent only. Do not use abrasives, chemical cleaners, or leave any solutions on the surface such as soup, shampoo, etc. as they may damage the mirror.