

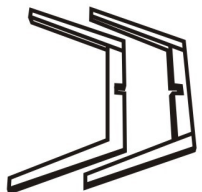

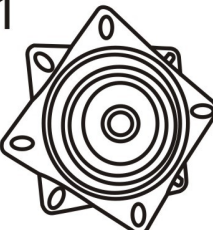


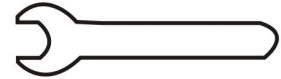




ASSEMBLING INSTRUCTION

Ax1 	Fx4 
Bx2 	Gx1 
Cx1 	Hx4 
Dx4 	Hx1 
Ex4 	Hx1  M6

