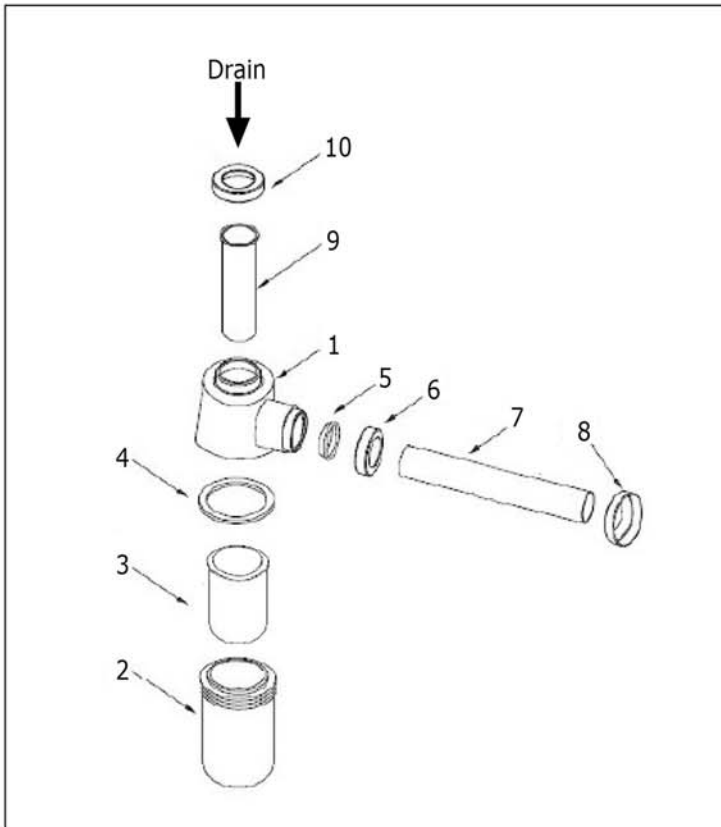




Bottle Trap Installation Instructions



CONTENTS

1. Trap Body
2. Trap Chamber
3. Plastic Chamber Liner
4. Rubber Gasket
5. Conical Gasket
6. Outlet Nut
7. Pipe
8. Flange
9. Plastic Tube
10. Inlet Nut

INSTALLATION

1. Check all parts before starting.
2. Install the drain to the lavatory.
3. Remove the inlet nut (9) from the bottle trap body. Slide the inlet nut (9) up the drain tailpiece.
4. Slide the tailpiece into the plastic tube (9). To ensure a proper compression fit, the tailpiece must be inserted at least 1" inside the plastic tube (9).
5. Insert the plastic tube (9) into the bottle trap body (1). Slide the inlet nut down and tighten the inlet nut.
6. Place plastic chamber liner (3) into the trap chamber (2) and tighten into the bottom of the trap body (1). Be sure to utilize the rubber gasket (4).
7. Place end of pipe (7) through the conical gasket (5) and slide into the trap body (1), then tighten with outlet nut (6). To ensure a proper compression fit, the pipe must be inserted at least 1/2" into the trap body (1).
8. Slide flange (8) into the pipe and attach to the drain stub out. Adjust the flange (8) to cover the drain stub out.