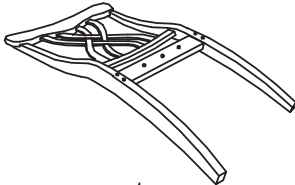
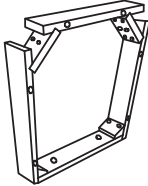
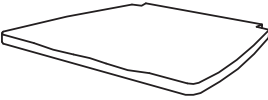
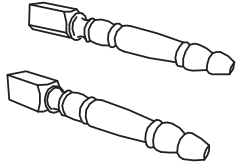


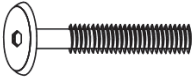





ASSEMBLY INSTRUCTION

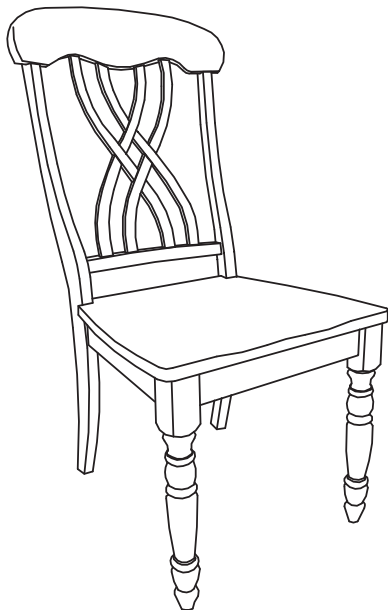
DINING 2-TONED SIDE CHAIR

Component List

A Chair Back	B Box Frame	C Wooden Seat	D Front Leg
			
1pc	1pc	1pc	2pcs

Hardware List

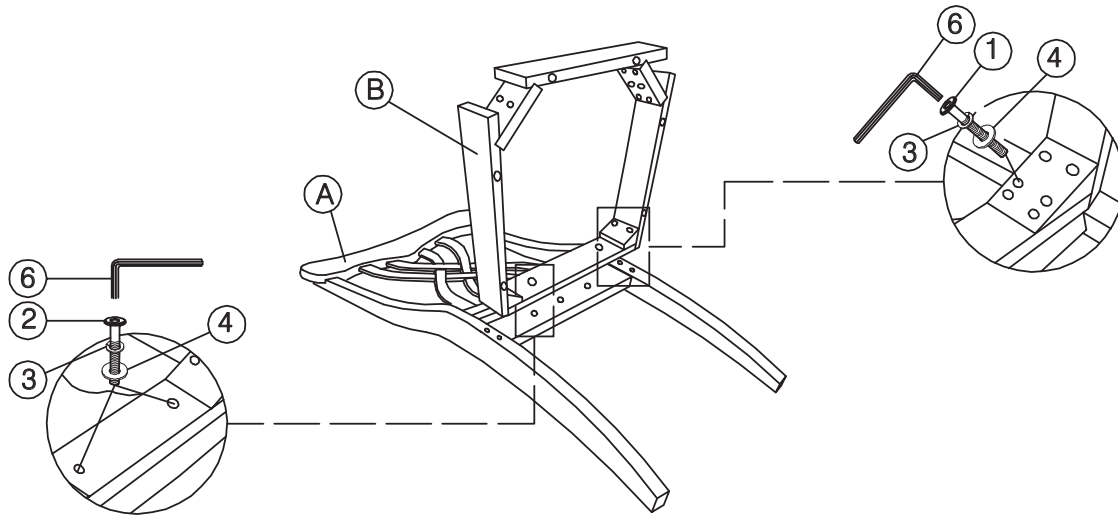
1 Jcbc Bolt M6 x 70mm	2 Jcbc Bolt M6 x 40mm	3 Lock Washer M6	4 Flat Washer M6 x 19mm
			
8pcs	2pcs	10pcs	10pcs
5 Csk-Cb Screw #8 x 1"	6 Allen Key M4 x 60mm		
			
6pcs	1pc		



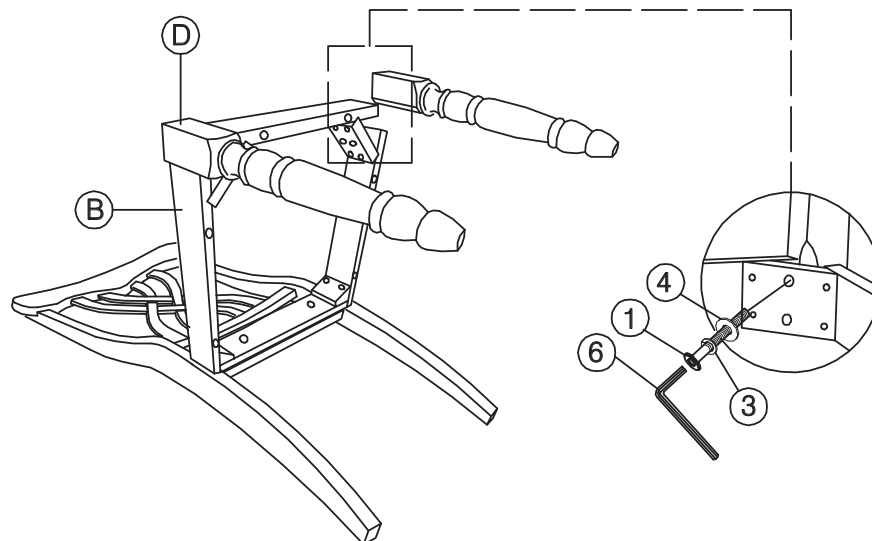
This page lists all the contents included in the box. Please take the time to identify the hardware as well as the individual components to this product. As you unpack and prepare for assembly, place the contents on a carpeted or padded area to protect them from damage.

1

Put the Chair Back (A) Box Frame (B) upside down on the soft and smooth surface. With assistance attach Box Frame (B) onto Chair Back (A). Then insert Jcbc Bolt (1), Lock Washer (3) and Flat Washer (4) into predrilled holes of each corner, by using Allen Key (6). Insert Jcbc Bolt (2), Lock Washer (3) and Flat Washer (4) into the predrilled holes of the middle of Chair Back (A), by using Allen Key (6). Do not fully tighten the bolts in this step.

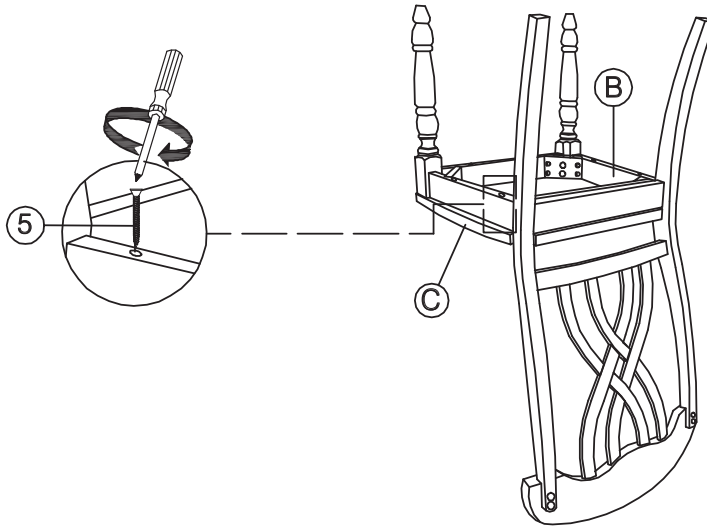
**2**

Attach Chair Legs (D) and corner of Box Frame (B), insert Flat Washer (4), Lock Washer (3) and Jcbc Bolt (1) using Allen Key (6).



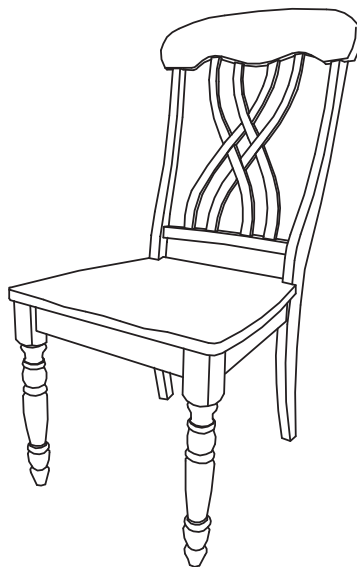
3

Attach Wooden Seat (C) and Box Frame (B) with Csk-Cb Screw (5) by using Screwdriver (not included). Tighten all wood screws in this step.



4

Turn the assembled chair to the upright position carefully. Make sure the chair is level, and then securely tighten all bolts at this stage. Assembly is now completed.



Cleaning & Care

Treat surface with care. Surface is resistant to scratches but is not scratch resistant. Clean surface with a dry or damp soft cloth. Do not use abrasive cleaners. Hardware may loosen over time. Periodically check that all connections are tight.