

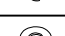




ITEM#: 824-OT6836

Thank you for purchasing this quality product. Be sure to check all packing material carefully for small Hardware which may have come loose inside the carton during shipment. Identify and count all Hardware and compare with the Hardware List Below.

Parts List		
No.	Description	Qty.
①	Table Top	1 Pc
②	LSF Frame Leg	1 Pc
③	RSF Frame Leg	1 Pc
④	Top Rail	1 Pc
⑤	Bottom Rail	1 Pc

Assembly Hardware Pack			
⑥			
No.	Description	Hardware	Qty.
(A)	JCBC Screw $\text{Ø}1/4" \times 40\text{mm}$		13 Pcs
(B)	Spring Washer $\text{Ø}1/4"$		13 Pcs
(C)	Flat Washer $\text{Ø}1/4" \times 19\text{mm}$		13 Pcs
(D)	Allen Key M4		1 Pc
(E)	PH Screw M4 x 45mm		2 Pcs

NOTE: Do not fully tighten Bolts until the assembly is completed.

