

# KWT321-15

## 15 Inch Top Mount Workstation Single Bowl Stainless Steel Kitchen Sink

# Kräus<sup>®</sup>

SPECIFICATION SHEET

### Sink Dimensions

Overall Dimensions: 15" x 15"

Bowl Dimensions: 12" x 11"

Sink Depth: 9"

### Features

- 16 Gauge Stainless Steel Construction
- Top Mount Single Bowl Sink
- Required Minimum Cabinet Size: 18" Left to Right, 18" Front to Back
- Rear Center Set Drain
- 3 1/2" Drain Opening
- NoiseDefend Undercoating and Sound Dampening Pads

### Accessories Included

- Strainer ST-1
- Cover Cap STC-2
- Cutting Board KCB-WS14
- Top Mount Cut-Out Template
- Top Mount Hardware

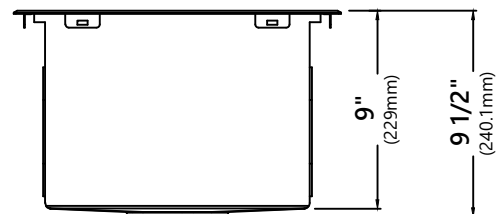
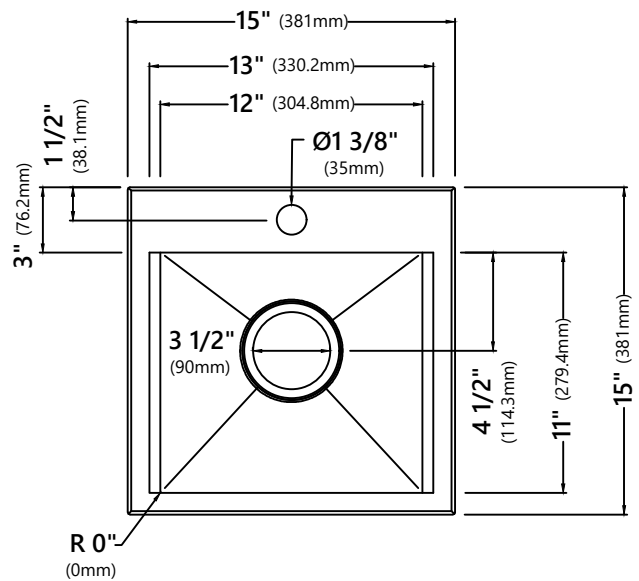
### Optional Accessories

- Undermount Cut-Out Template
- Undermount Hardware

### CODES/STANDARDS:

#### Product Certification

cUPC (ASME A112.19.3/CSA B45.4)



**NOTE:** Maximum countertop thickness for Top Mount installation is 1 1/2".

**NOTE:** It is not recommended to install this sink with a negative reveal. Doing so will prohibit the use of any workstation accessories as they will not fit.

### Warranty

Kraus Limited Lifetime Warranty

see website for details [www.kraususa.com](http://www.kraususa.com)