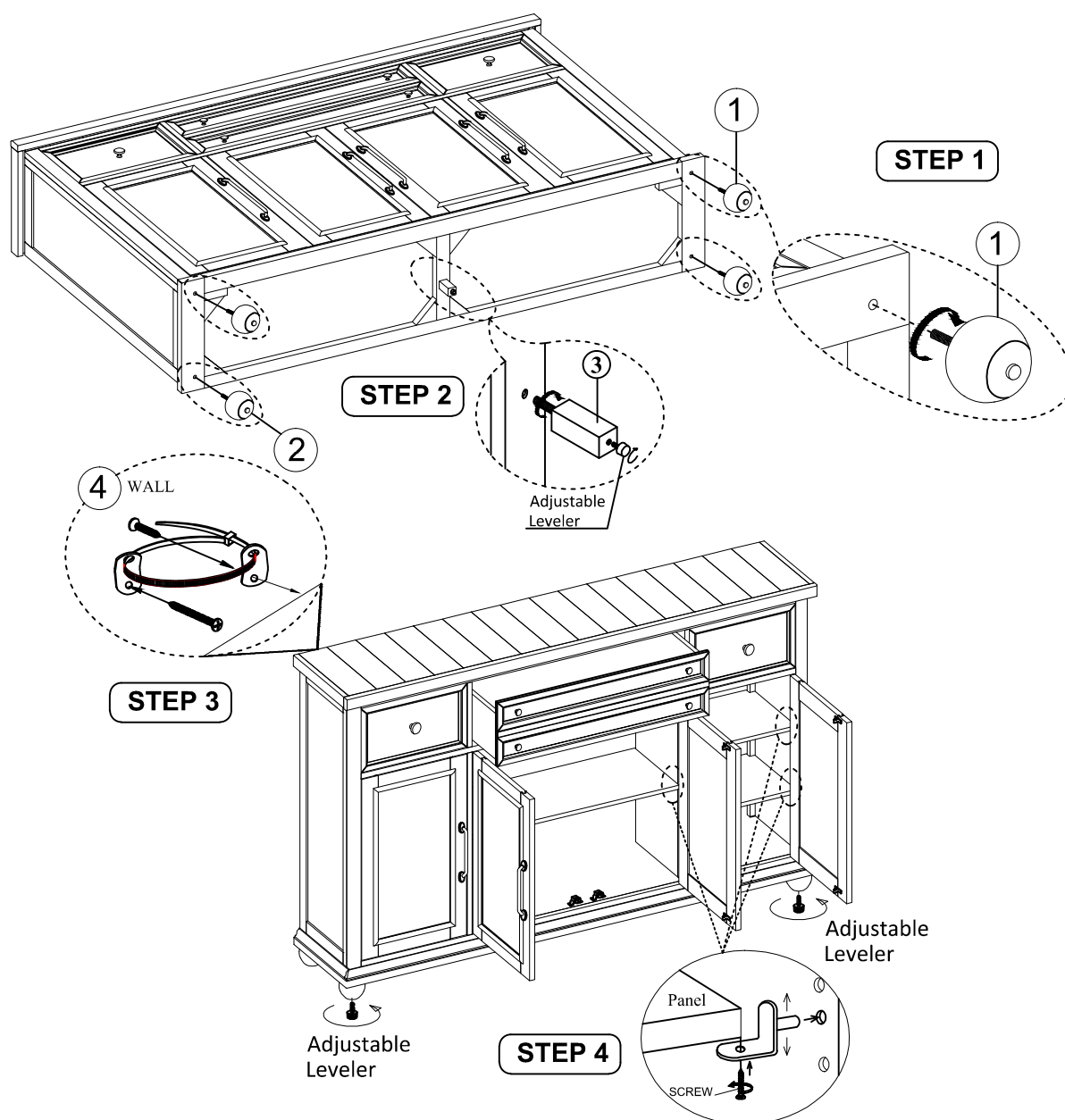


ITEM#: 779/879-HB7246

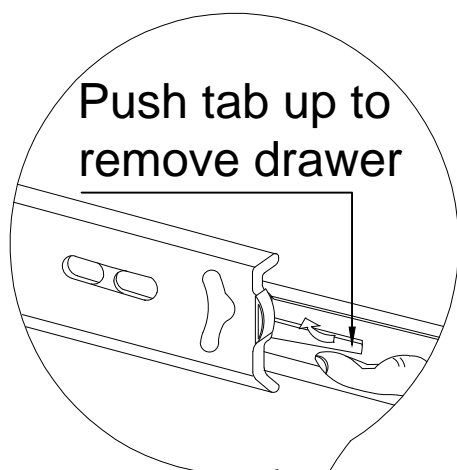
DESCRIPTION :HALL BUFFET

Thank you for purchasing this quality product. Be sure to check all packing material carefully for small Hardware which may have come loose inside the carton during shipment. Identify and count all Hardware and compare with the Hardware List Below.

Parts List					
No.	Description	Qty.	No.	Description	Qty.
①	Bun Foot with leveler (Front)	2 Pcs	④	Tipping Restraint	1 Set
②	Bun Foot with floor glide (Back)	2 Pcs	⑤	Adjustable Leveler	2 Pcs
③	Center Support Leg with leveler	1 Pc			



DRAWER REMOVAL GUIDANCE



To remove drawer, simultaneously pull tab up on one side and push down on the other and remove drawer.

