

ASSEMBLY INSTRUCTIONS

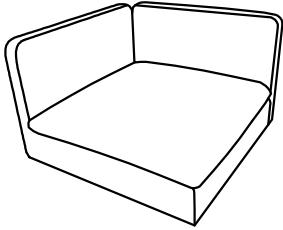
CORNER

A Corner Seat

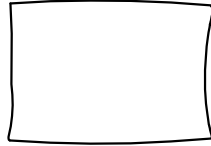
B Back Cushion

C Waist Pillow

D Legs



1pc



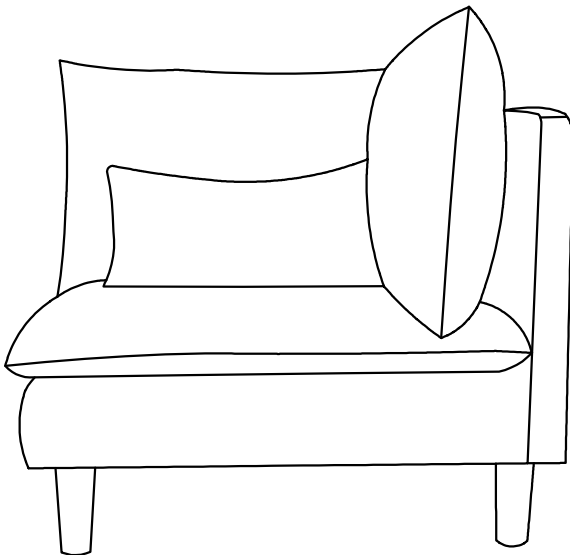
2pcs



1pc

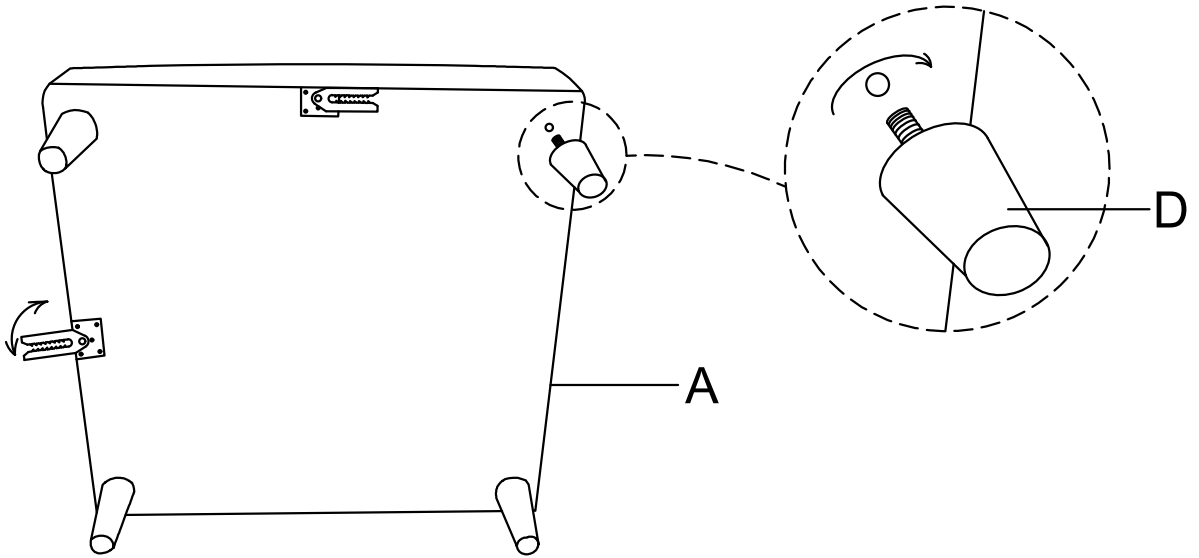


4pcs

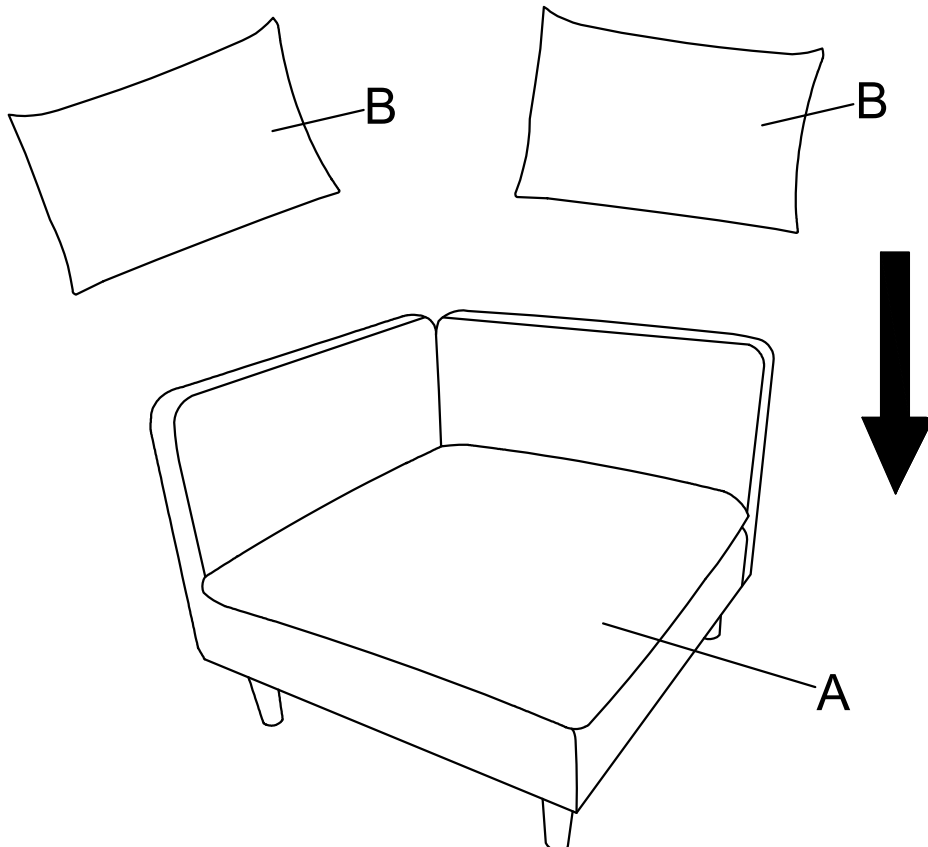


This page lists all the contents included in the box. Please take the time to identify the hardware as well as the individual components to this product. As you unpack and prepare for assembly, place the contents on a carpeted or padded area to protect them from damage.

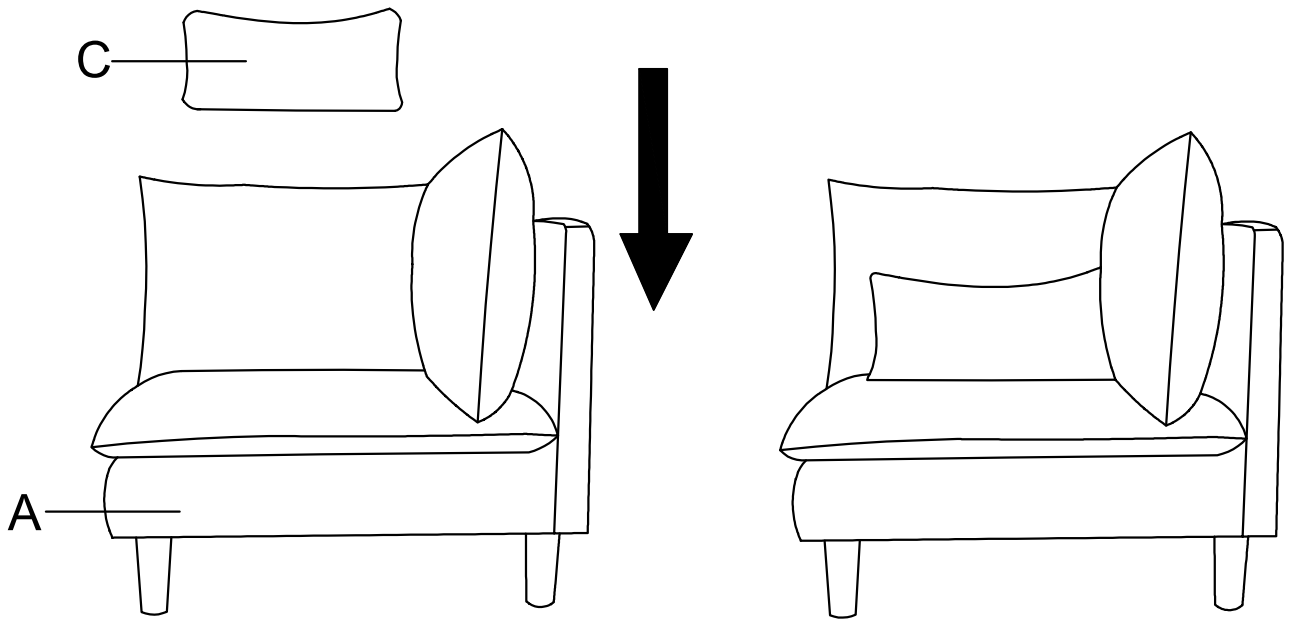
-
- 1** Insert the Legs (D) to the pre-drilled holes of Corner Seat (A), rotate and tighten it.



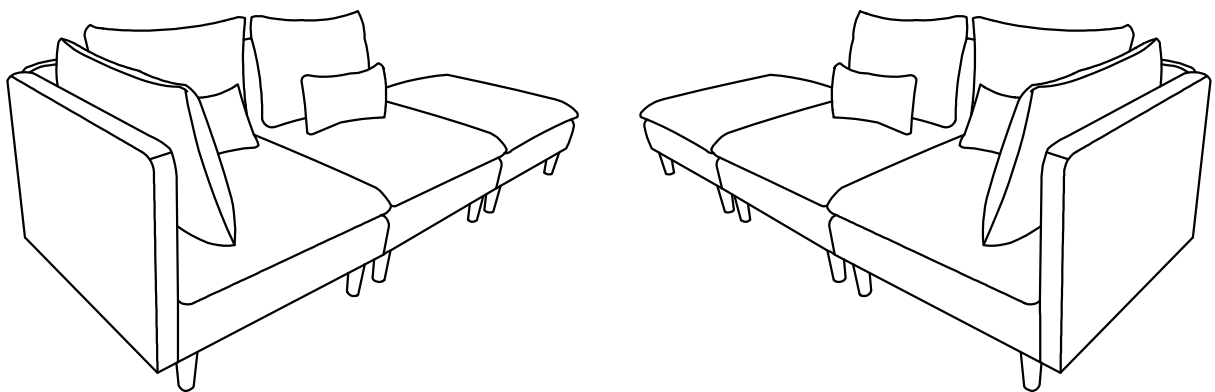
-
- 2** Put the Back Cushion (B) on Corner Seat (A).



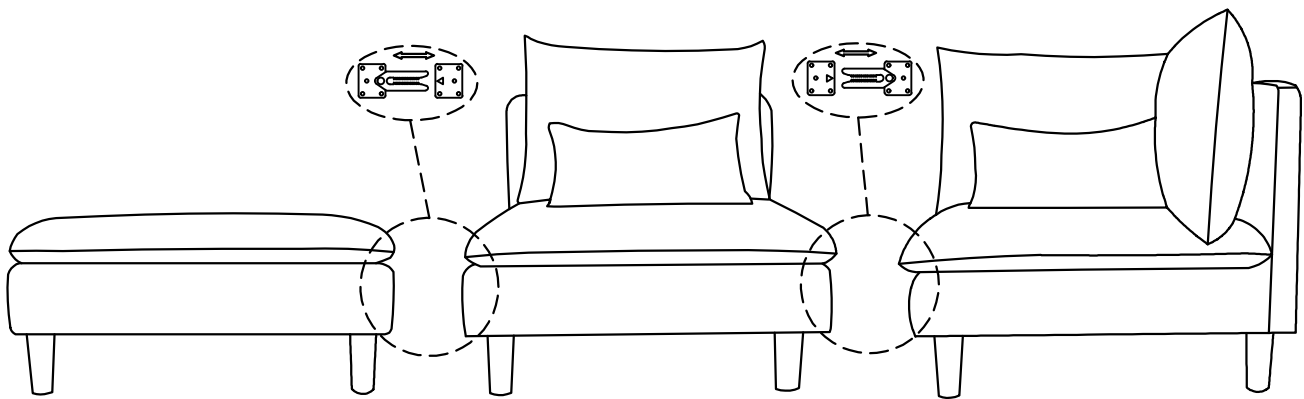
3 Put the Waist Pillow (C) on Corner Seat (A).



I-Shape:



-
- 4** The Corner can be hooked up with the Armless Chair & Ottoman together as below. The assembly is completed. (Armless Chair & ottoman are not in this carton)



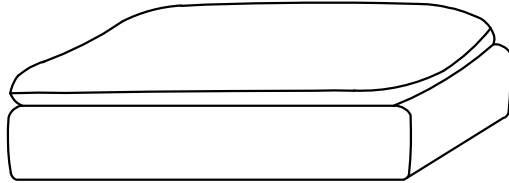
Cleaning & Care

Treat surface with care. Surface is resistant to scratches but is not scratch resistant. Clean surfaces with a dry or damp soft cloth. Do not use abrasive cleaners. Hardware may loosen over time. Periodically check that all connections are tight.

ASSEMBLY INSTRUCTIONS

OTTOMAN

A Ottoman

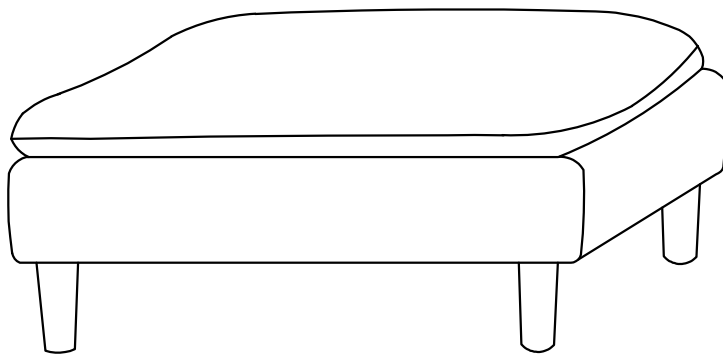


1pc

B Legs
(Underneath the ottoman)

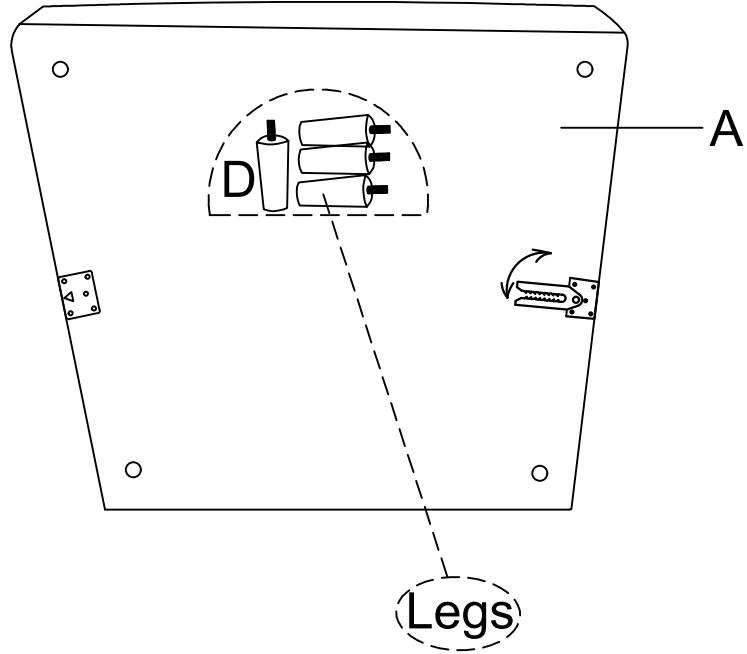


4pcs

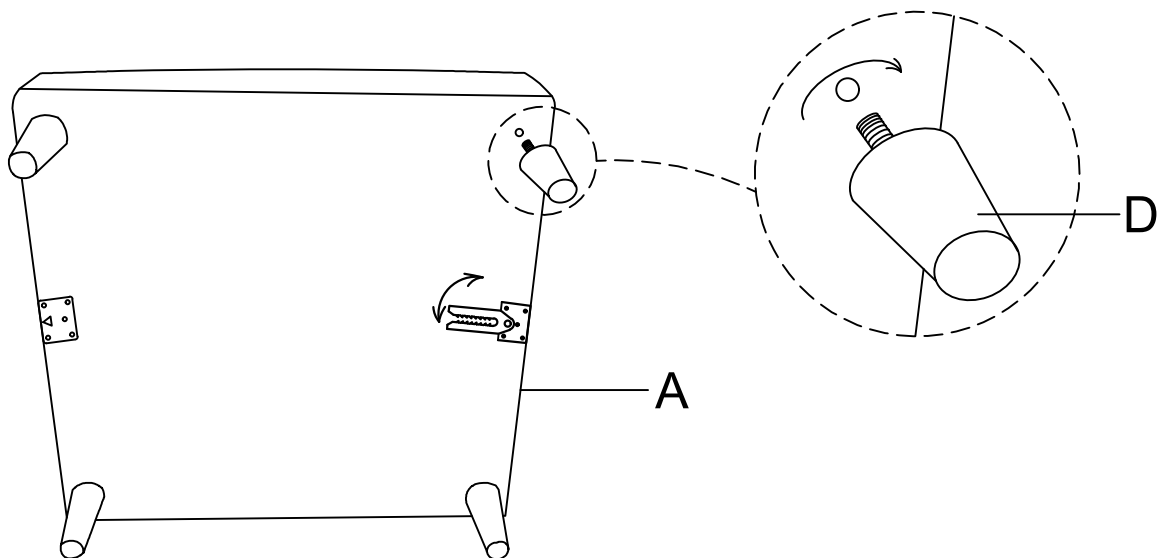


This page lists all the contents included in the box. Please take the time to identify the hardware as well as the individual components to this product. As you unpack and prepare for assembly, place the contents on a carpeted or padded area to protect them from damage.

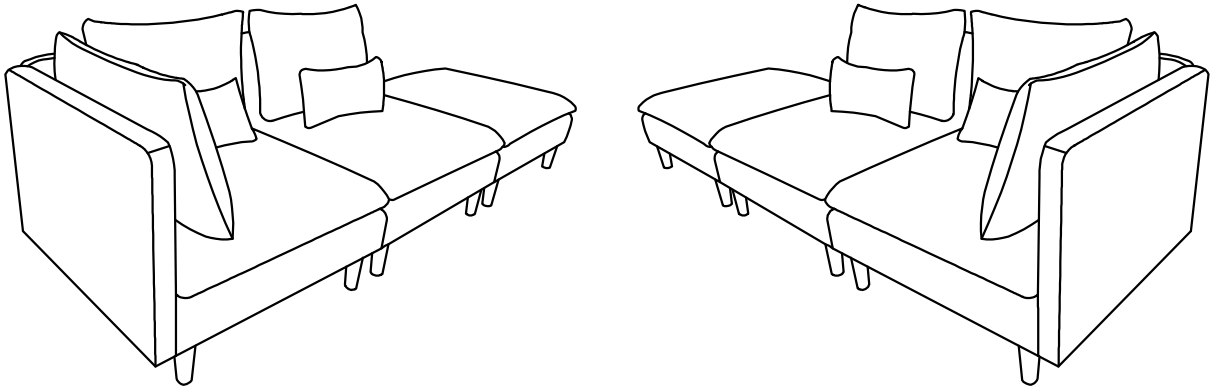
-
- 1** The Legs (B) are stored at the bottom of Ottoman (A), please take out them for assembly.



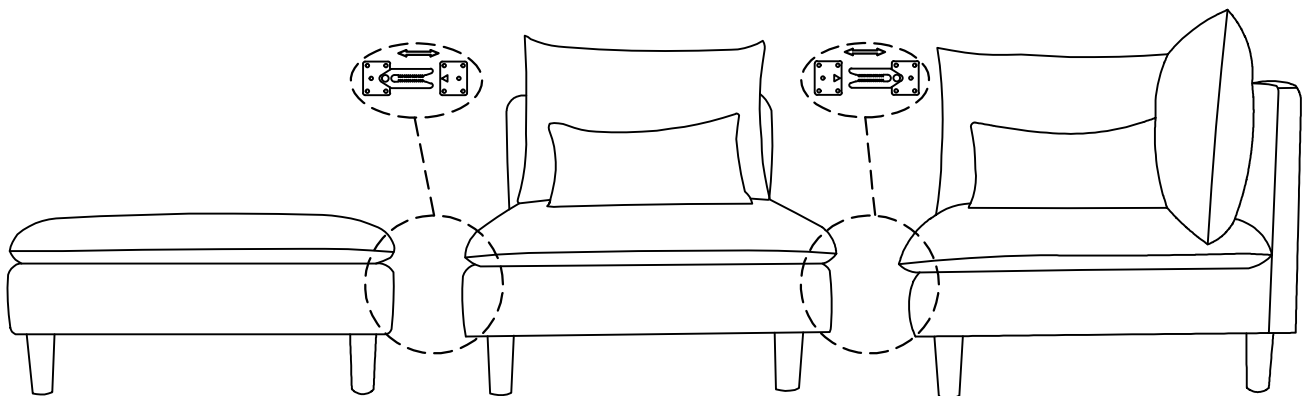
-
- 2** Insert the Legs (B) to the pre-drilled holes of Ottoman (A), rotate and tighten it.



I-Shape:



-
- 3** The Ottoman can be hooked up with the Corner & Armless Chair together as below. The assembly is completed. (Armless chair & Corner are not in this carton)



Cleaning & Care

Treat surface with care. Surface is resistant to scratches but is not scratch resistant. Clean surfaces with a dry or damp soft cloth. Do not use abrasive cleaners. Hardware may loosen over time. Periodically check that all connections are tight.