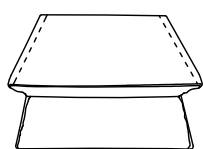


ASSEMBLY INSTRUCTION

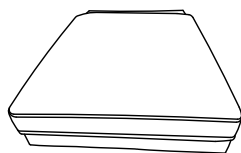
CHAIR

A BACK FRAME



1pc

B SEAT FRAME



1pc

C LEFT PANEL



1pc

D RIGHT PANEL



1pc

E HAND PILLOW



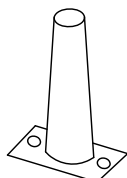
2pcs

F BACK CUSHION



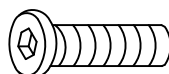
1pc

G WOODEN LEG



4pcs

H BOLT
5/16 "x1-1/4"



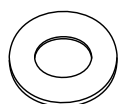
8pcs

I ALLEN KEY
5/16 "

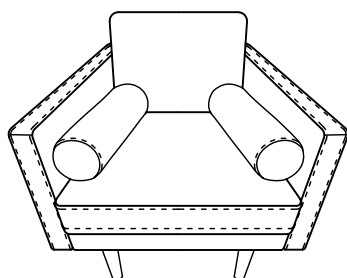


1pc

J WASHER
5/16 "

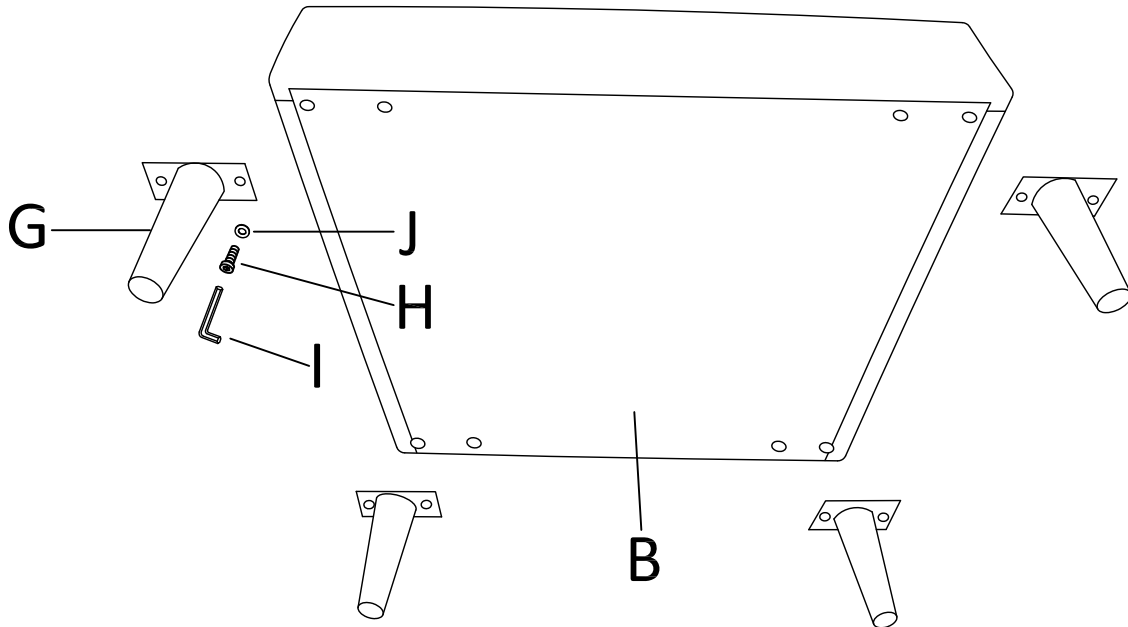


8pcs

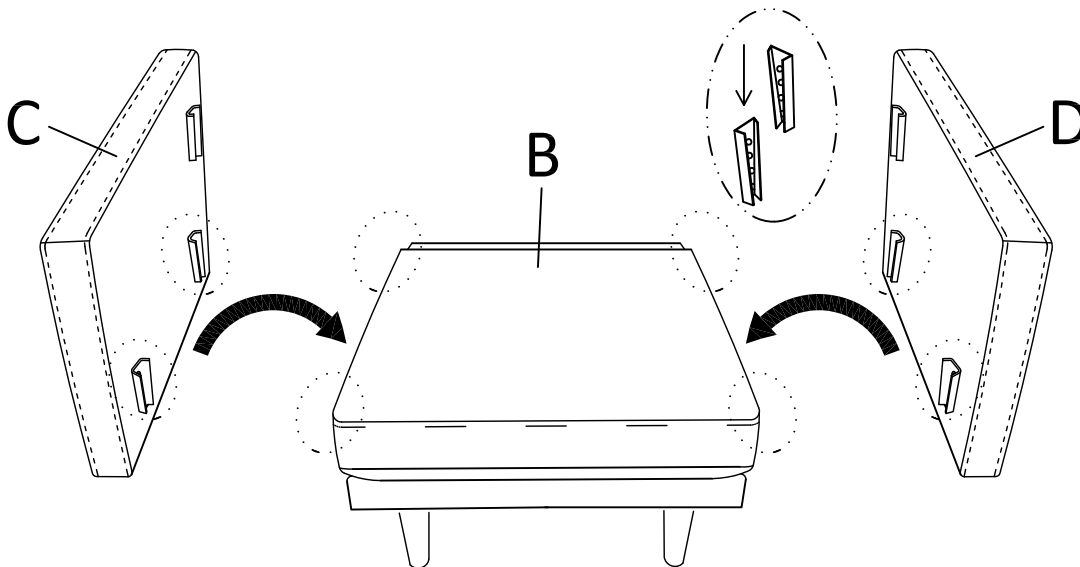


This page lists all the contents included in the box. As you unpack and prepare for assembly, place the contents on a carpeted or padded area to protect them from damage.

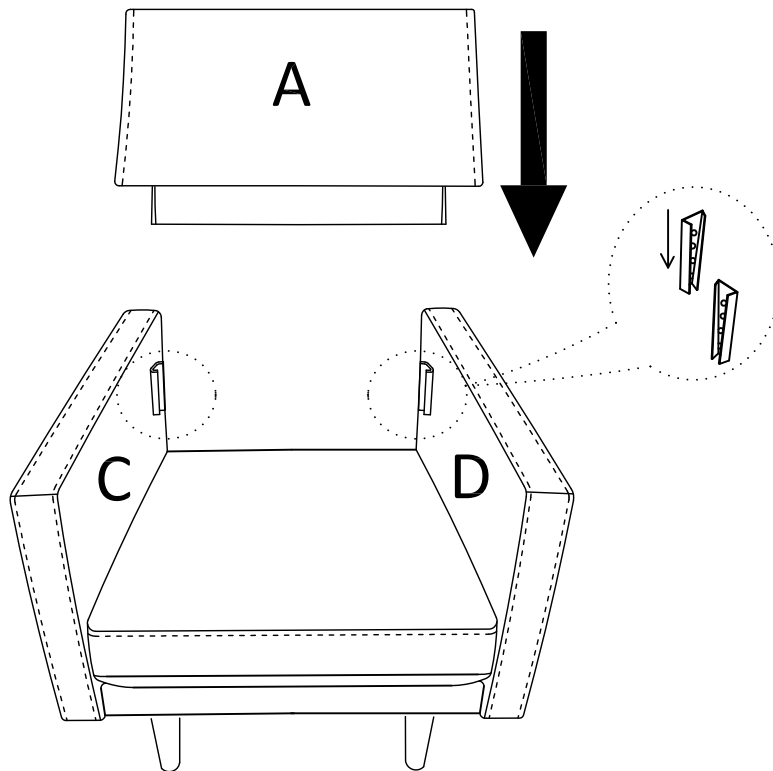
-
- 1** Please flip over the Seat frame(B) .Align the legs (G) to the pre-drilled holes , insert the bolts (H) , pad with a felt washer (J) then tighten with Allen key (I) .



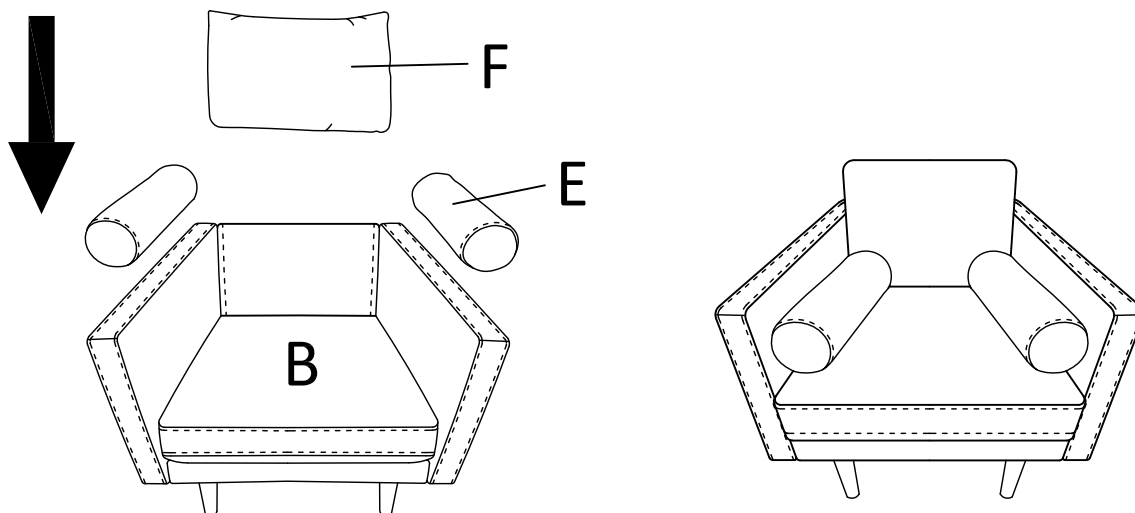
-
- 2** Hook on the Left Panel(C) & Right Panel(D) to the Seat Frame(B) properly .



-
- 3** Hook on the Back Frame(A) to the Left Panel(C) & Right Panel(D) properly.



-
- 4** Put the Back Cushion(F) & Hand pillow (E) on Seat Frame(B), the assembly is completed .



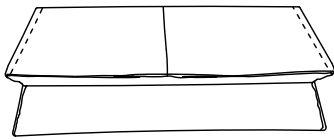
Cleaning & Care

Treat surface with care, Surface is resistant to scratches but is not scratch resistant, Clean surfaces with a dry or damp soft cloth. Do not use abrasive cleaners. Hardware may loosen over time. Periodically check that all connections are tight .

ASSEMBLY INSTRUCTION

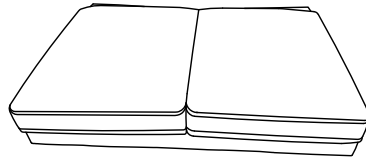
LOVE SEAT

A BACK FRAME



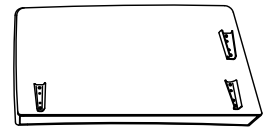
1pc

B SEAT FRAME



1pc

C LEFT PANEL



1pc

D RIGHT PANEL



1pc

E HAND PILLOW



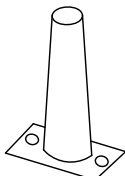
2pcs

F BACK CUSHION



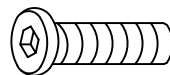
2pcs

G WOODEN LEG



4pcs

H BOLT
5/16 "x1-1/4"



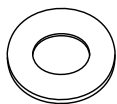
8pcs

I ALLEN KEY
5/16 "

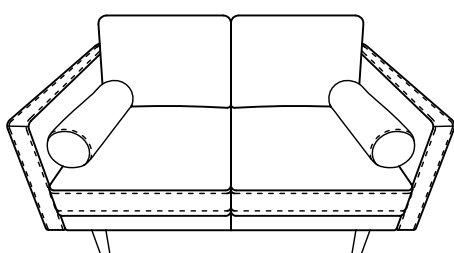


1pc

J WASHER
5/16 "

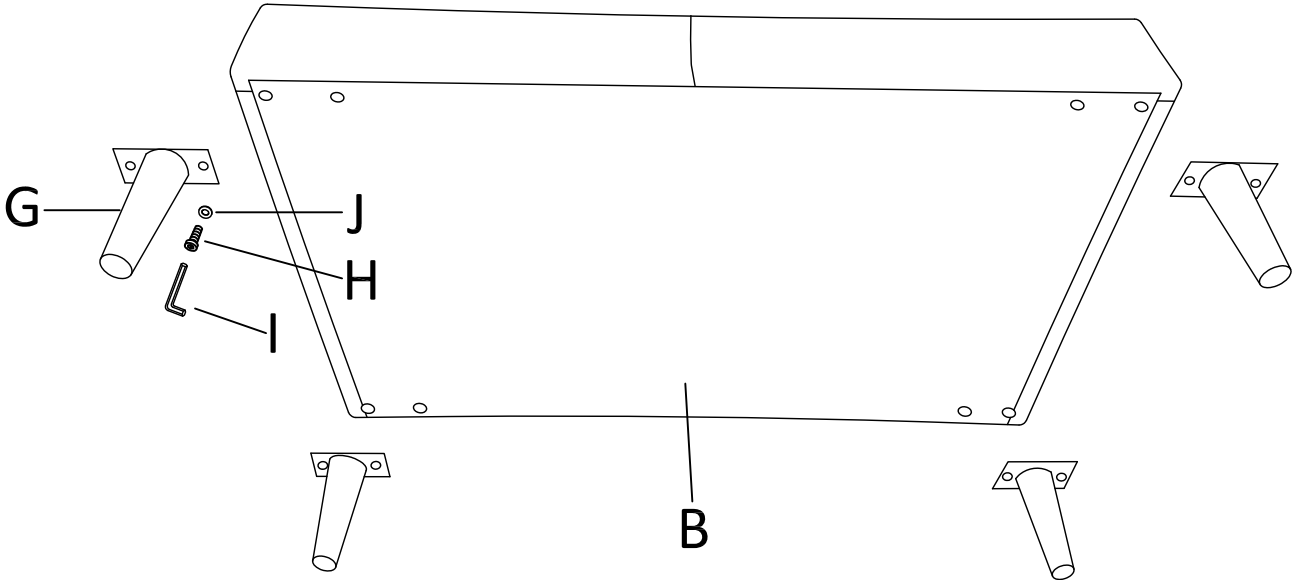


8pcs

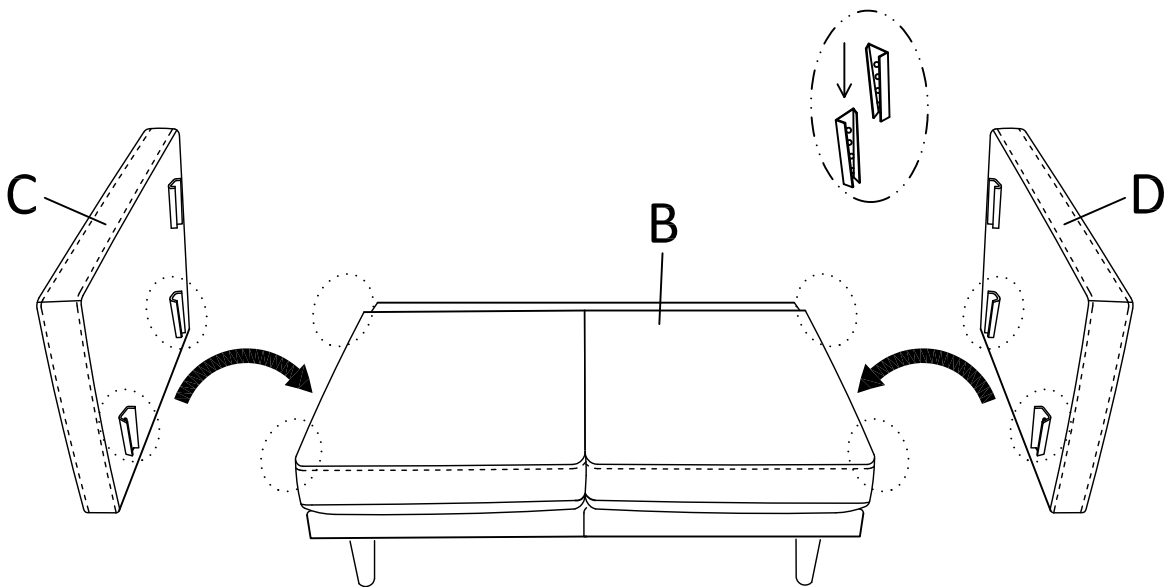


This page lists all the contents included in the box. As you unpack and prepare for assembly, place the contents on a carpeted or padded area to protect them from damage.

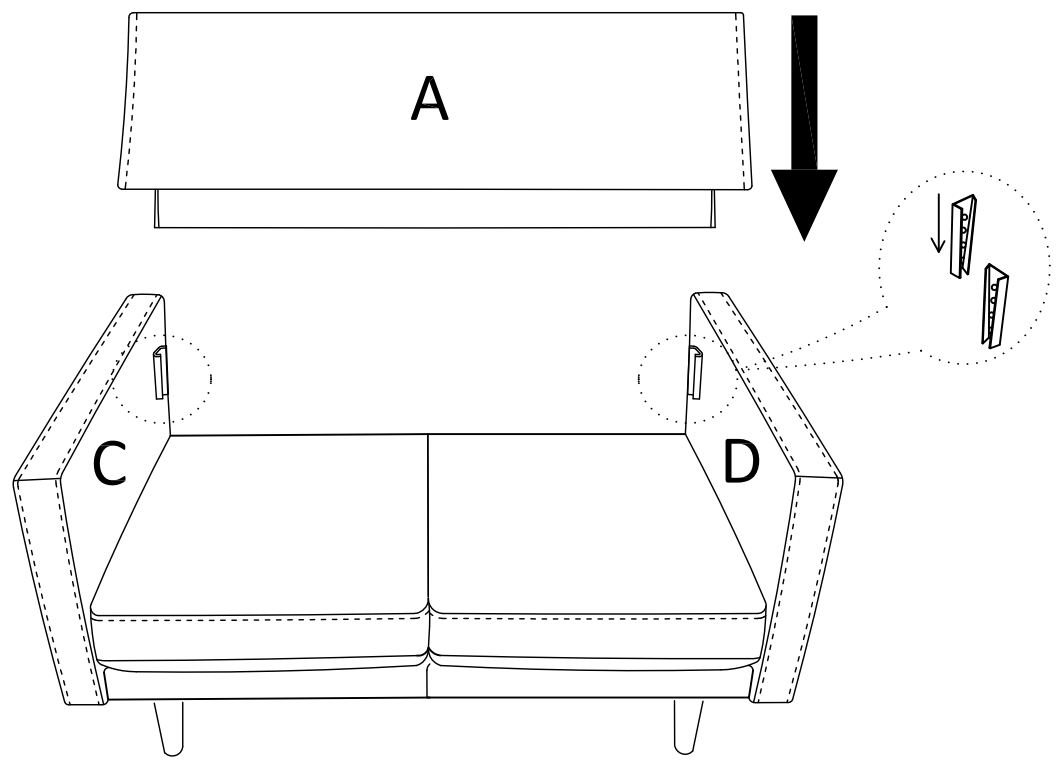
-
- 1** Please flip over the Seat frame(B) .Align the legs (G) to the pre-drilled holes , insert the bolts (H) , pad with a felt washer (J) then tighten with Allen key (I) .



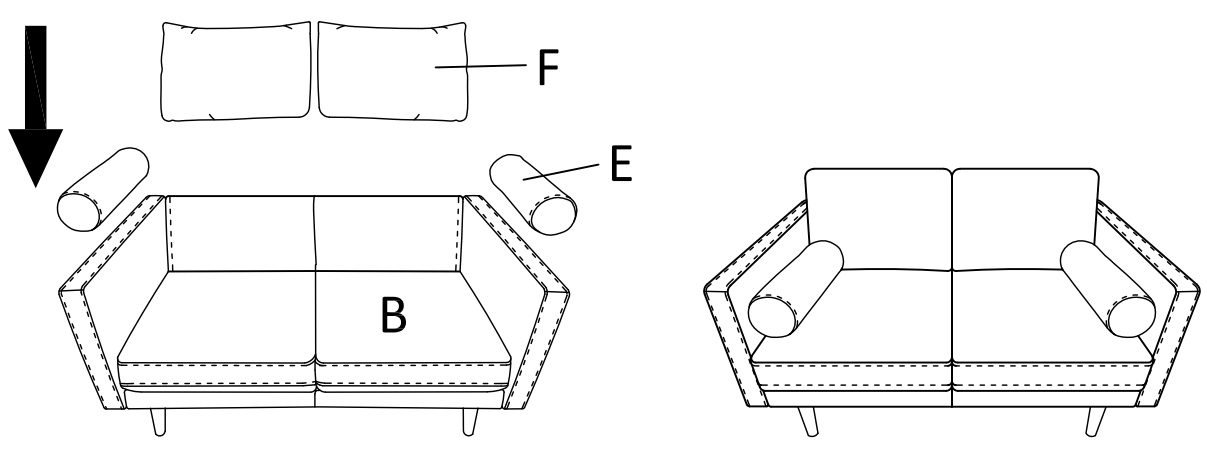
-
- 2** Hook on the Left Panel(C) & Right Panel(D) to the Seat Frame(B) properly .



3 Hook on the Back Frame(A) to the Left Panel(C) & Right Panel(D) properly.



4 Put the Back Cushion(F) & Hand pillow (E) on Seat Frame(B), the assembly is completed .



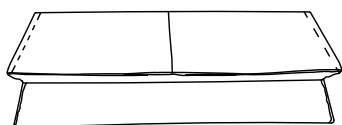
Cleaning & Care

Treat surface with care, Surface is resistant to scratches but is not scratch resistant, Clean surfaces with a dry or damp soft cloth. Do not use abrasive cleaners. Hardware may loosen over time. Periodically check that all connections are tight .

ASSEMBLY INSTRUCTION

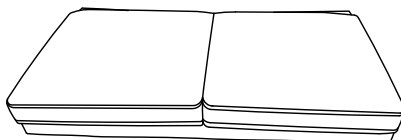
SOFA

A BACK FRAME



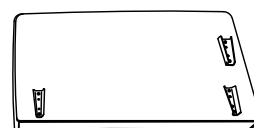
1pc

B SEAT FRAME



1pc

C LEFT PANEL



1pc

D RIGHT PANEL



1pc

E HAND PILLOW



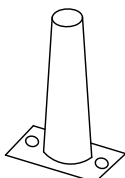
2pcs

F BACK CUSHION



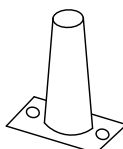
2pcs

G WOODEN LEG



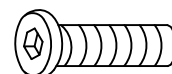
4pcs

H CENTER LEG



1pc

I BOLT
5/16 "x1-1/4"



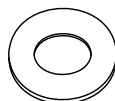
10pcs

J ALLEN KEY
5/16 "

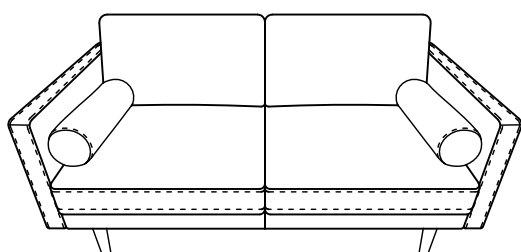


1pc

K FLAT WASHER
5/16 "

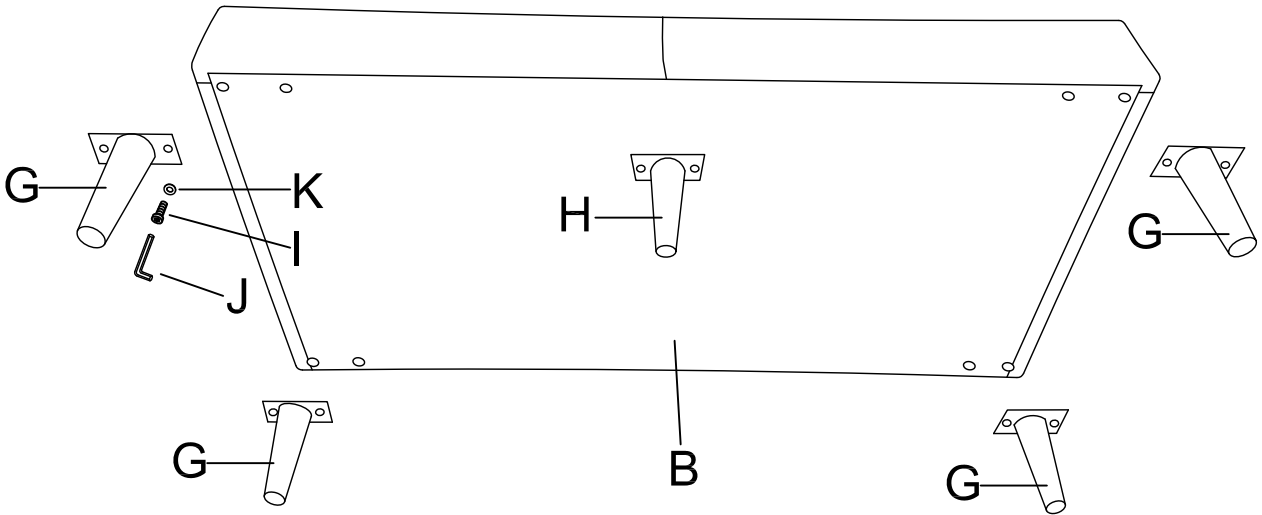


10pcs

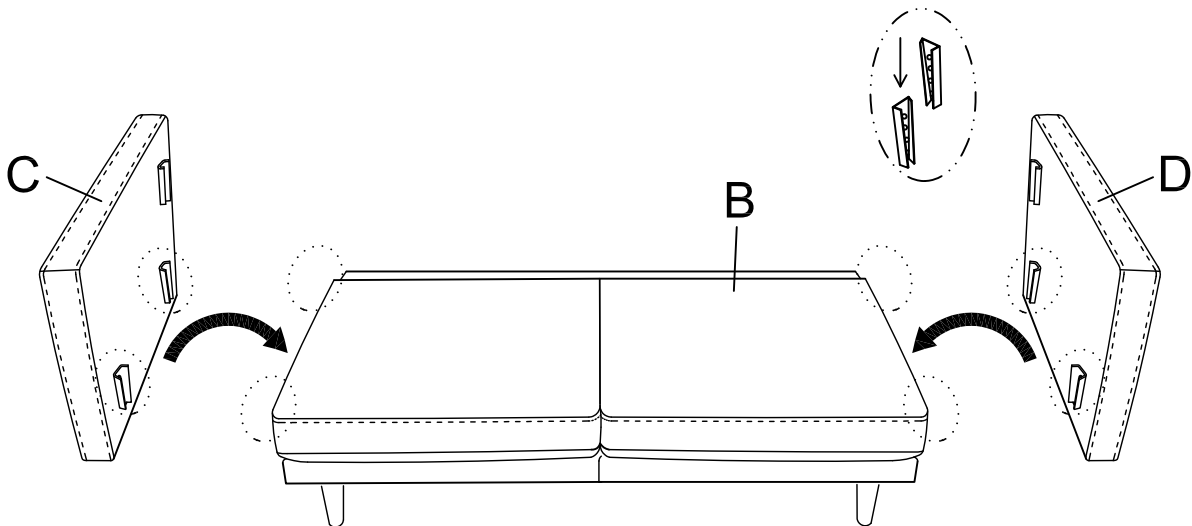


This page lists all the contents included in the box. As you unpack and prepare for assembly, place the contents on a carpeted or padded area to protect them from damage.

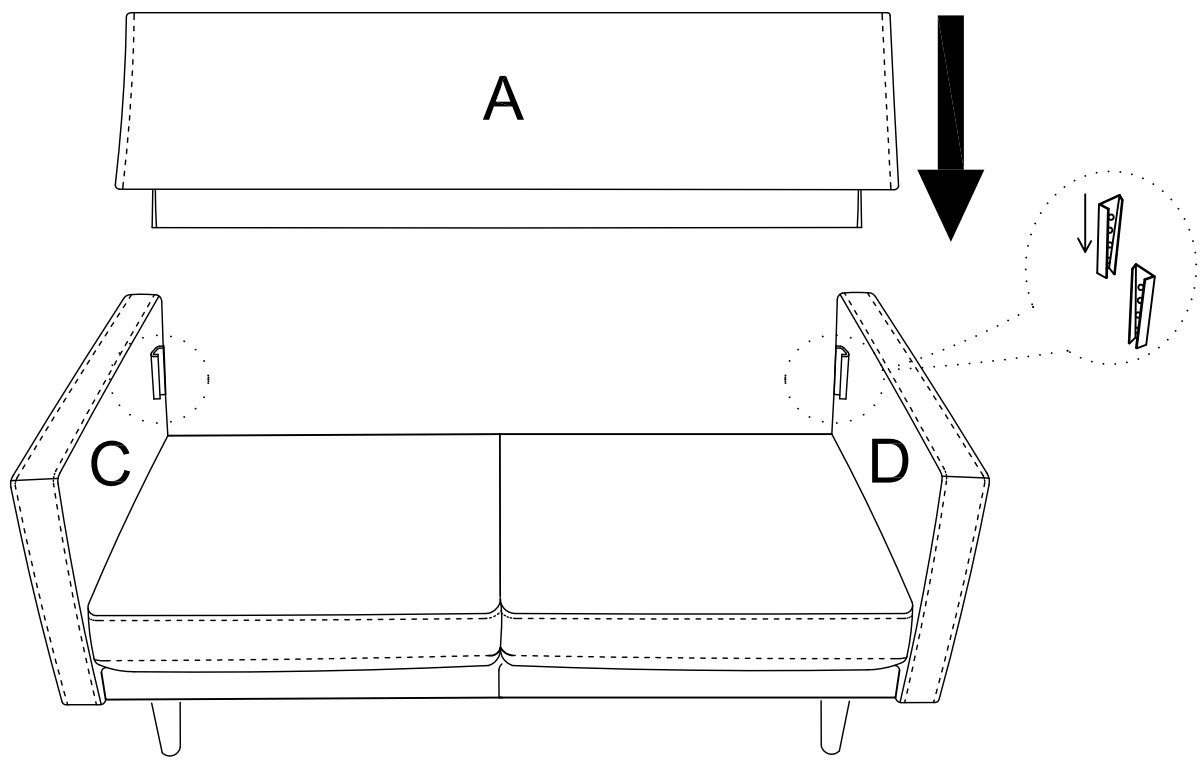
-
- 1** Please flip over the Seat frame(B). Align the legs(G)&(H) to the pre-drilled holes, insert the bolts(I), pad with a felt washer (K) then tighten with Allen key(J).



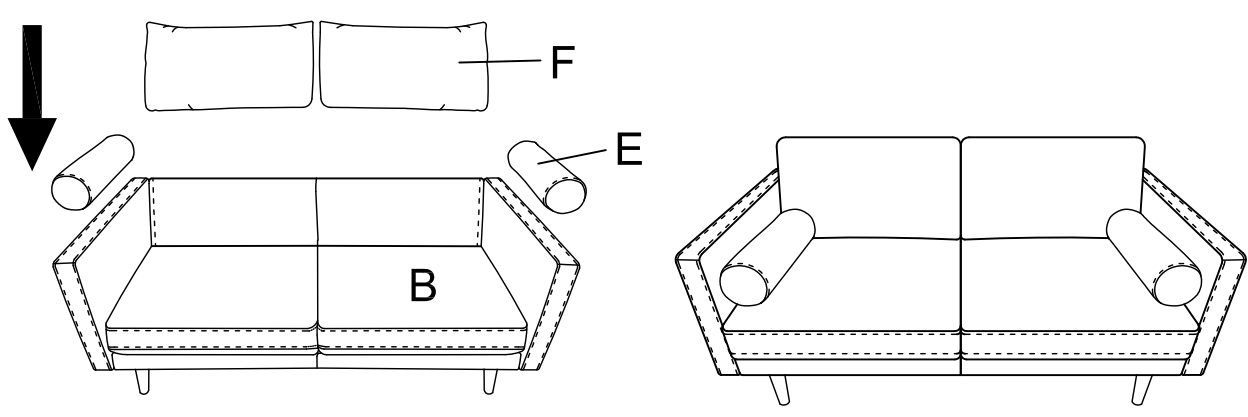
-
- 2** Hook on the Left Panel(C) & Right Panel(D) to the Seat Frame(B) properly.



3 Hook on the Back Frame(A) to the Left Panel(C) & Right Panel(D) properly.



4 Put the Back Cushion(F) & Hand pillow (E) on Seat Frame(B), the assembly is completed.



Cleaning & Care

Treat surface with care, Surface is resistant to scratches but is not scratch resistant, Clean surfaces with a dry or damp soft cloth. Do not use abrasive cleaners. Hardware may loosen over time. Periodically check that all connections are tight .