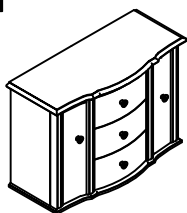


ASSEMBLY INSTRUCTION

BUN FOOT CHEST WITH 3 DRAWERS & 2 DOORS



A Chest



1 pc



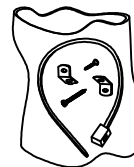
B Bun Foot



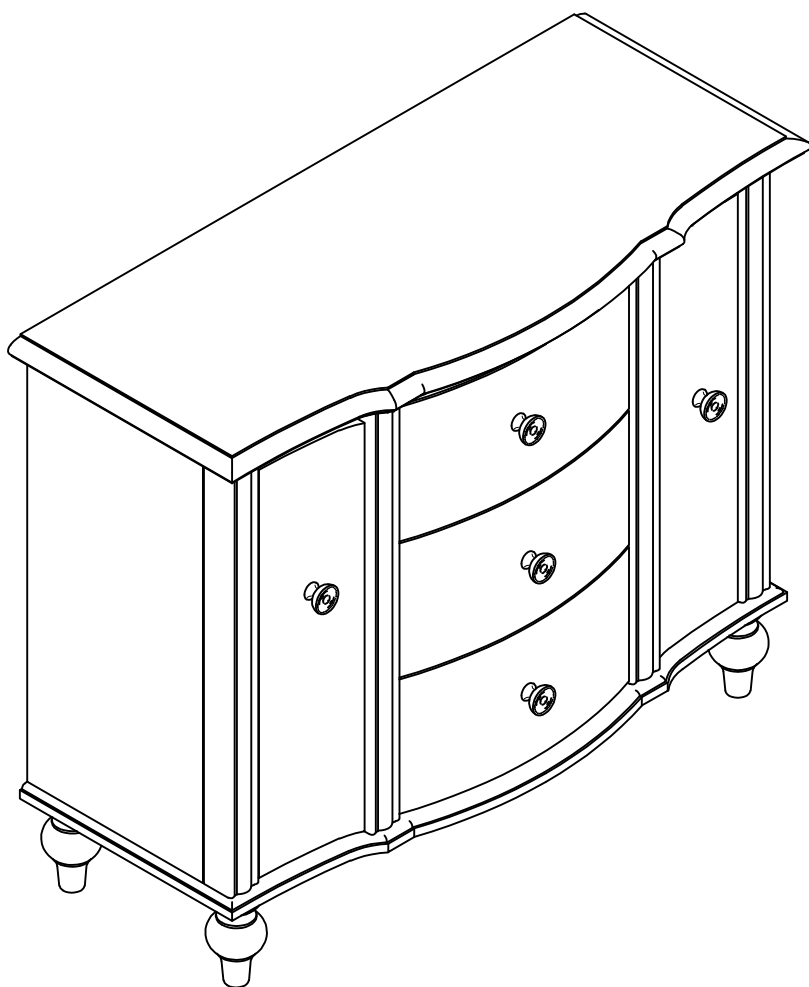
4 pcs



C Anti-Tipping HW

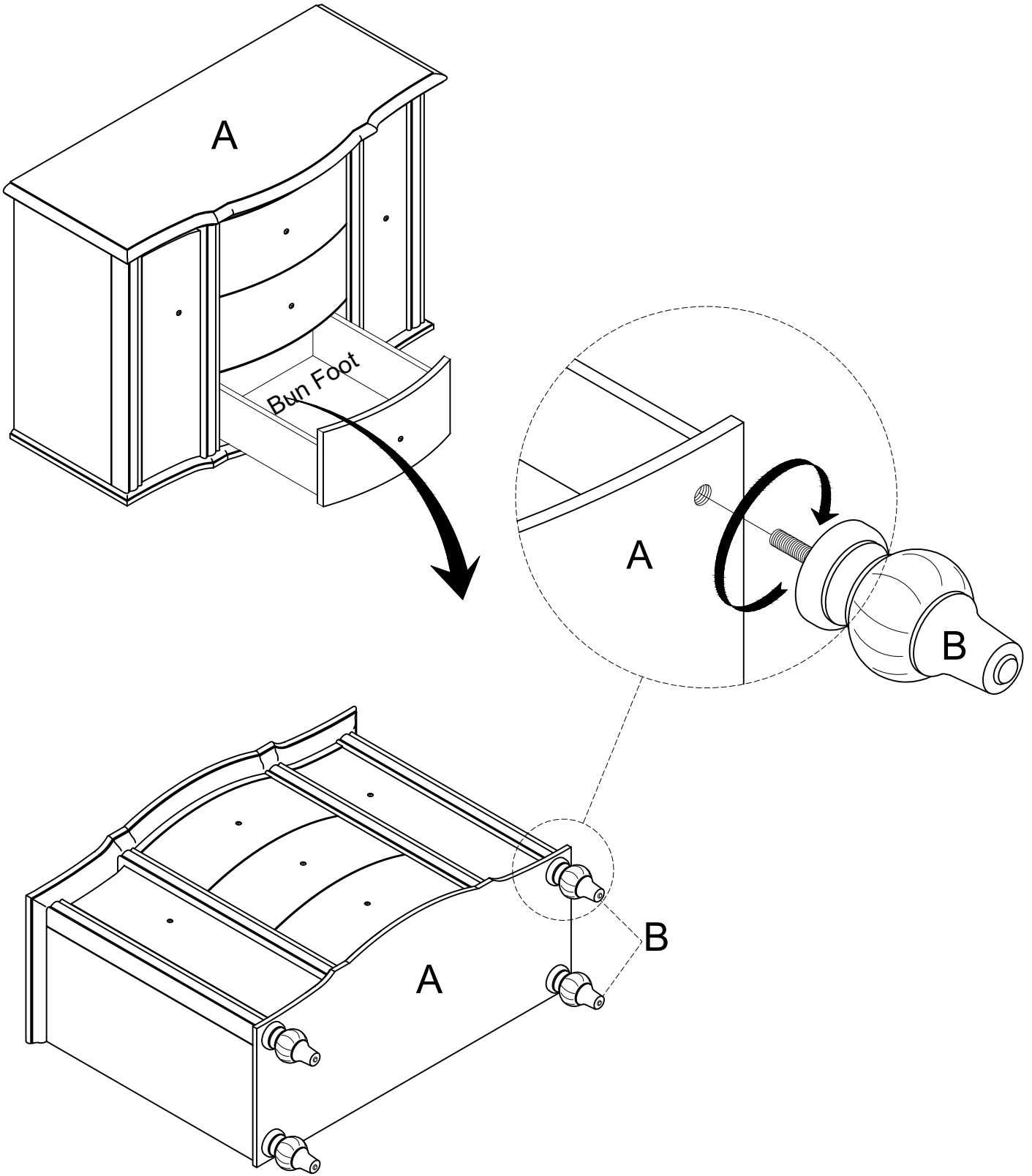


1 set

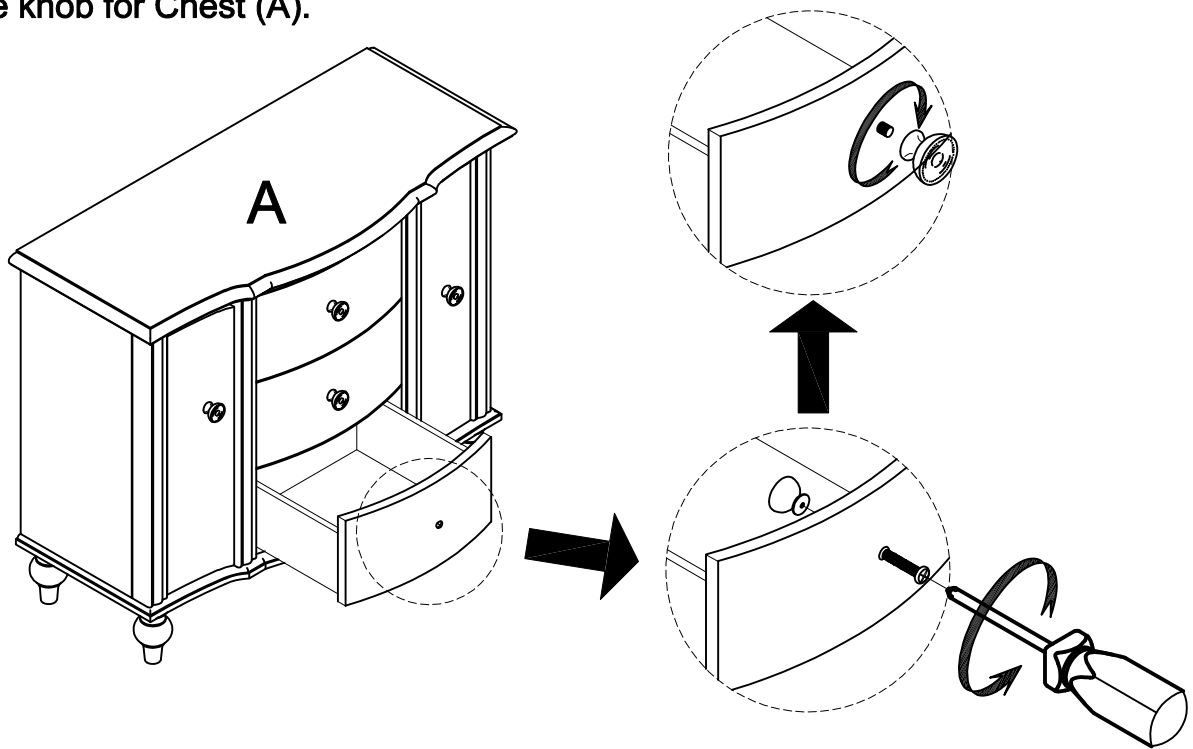


This page lists all the contents included in the box. Please take the time to identify the hardware as well as the individual components to this product. As you unpack and prepare for assembly, place the contents on a carpeted or padded area to protect them from damage.

1 Open the bottom drawer and find the box that contains the Bun Foot (B). Align and fasten the Bun Foot (B) into Chest (A).

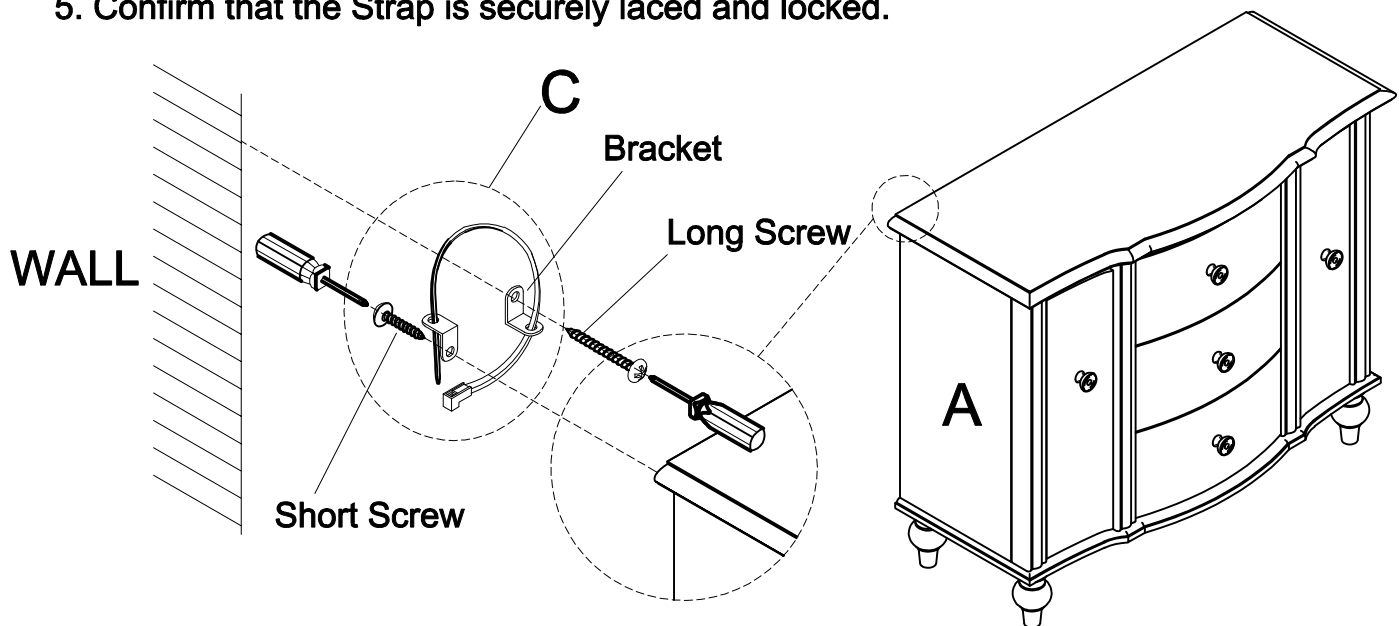


2 Attach the knob for Chest (A).



3 This Anti-Tipping HW (C) must be attached to a wall stud using the 2" Screw enclosed.

1. Attached a Bracket securely to the back top rail of the Chest using the 5/8" Screw provided, through the smaller hole.
2. Locate the other Bracket on the wall over a wall stud and 2 inches below the bracket secured to the back of your unit. Attach to the wall stud using the 2" Screw provided through the smaller hole.
3. Place the furniture into position so both Bracket are vertically in line.
4. Lace the end of restrain Strap through the larger hole in each bracket. Bring both ends together and slide the flat end through the locking end and draw it through until all slack is removed.
5. Confirm that the Strap is securely laced and locked.



Cleaning & Care

Treat surface with care. Surface is resistant to scratches but is not scratch resistant. Clean surface with a dry or damp soft cloth. Do not use abrasive cleaners. Hardware may loosen over time. Periodically check that all connections are tight.