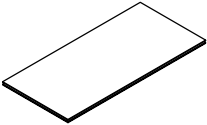
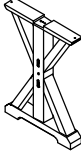
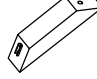
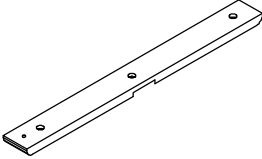
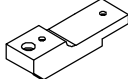
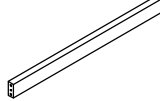


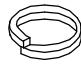

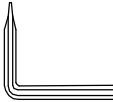
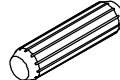
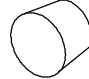
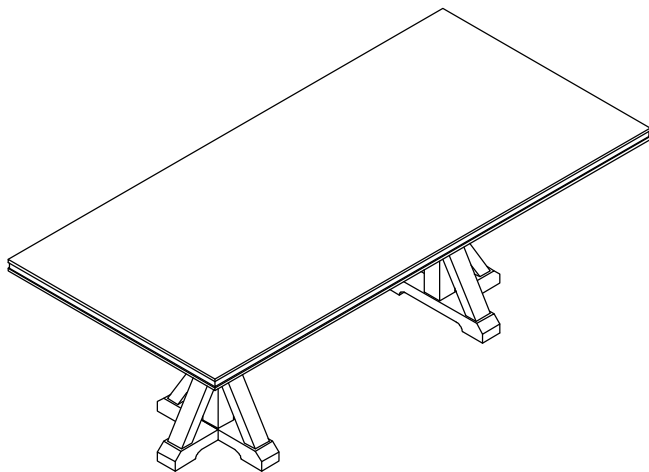


ASSEMBLY INSTRUCTION

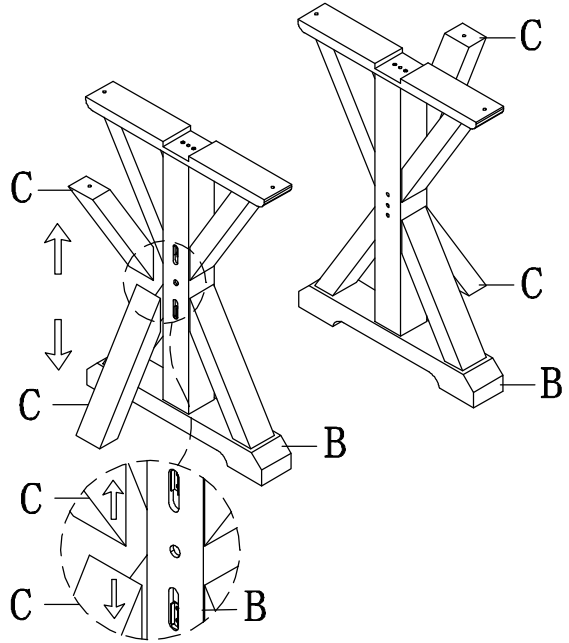
OAK FINISH TRESTLE DINING TABLE WITH STAINLESS STEEL APRON BANDING

A Table Top  1PC	B Leg Frame  2PCS	C Support Plate  4PCS	D Upper Mount Plate  2PCS
E Lower Mount Plate  2PCS	F Cross Bar  1PC	G Bolt-Small 1/4"X1-1/2"  16PCS	H Bolt-Large 1/4"X3"  2PCS
I Lock Washer 1/4"  18PCS	J Flat Washer 1/4"X13mm  18PCS	K Allen Key M4X70X70  1PC	L Wooden Dowel Ø10X40mm  4PCS
M Wooden Plug Ø15X9mm  2PCS			

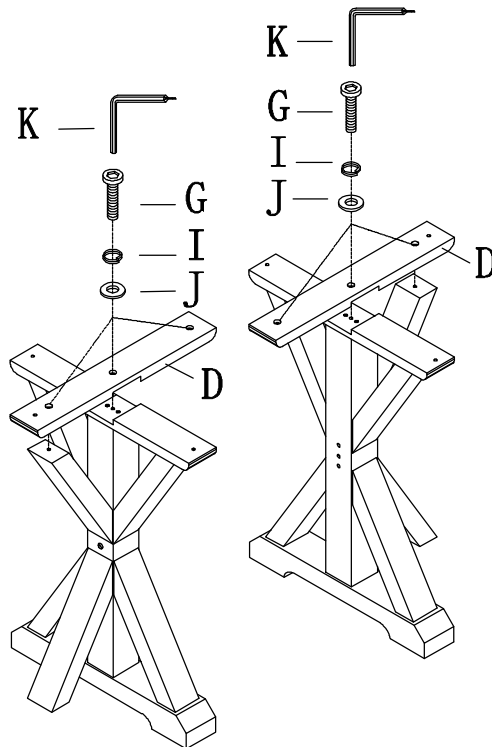
This page lists all the contents included in the box. Please take the time to identify the hardware as well as the individual components to this product. AS you unpack and prepare for assembly. place the contents on a carpeted or padded area to protect them from damage.



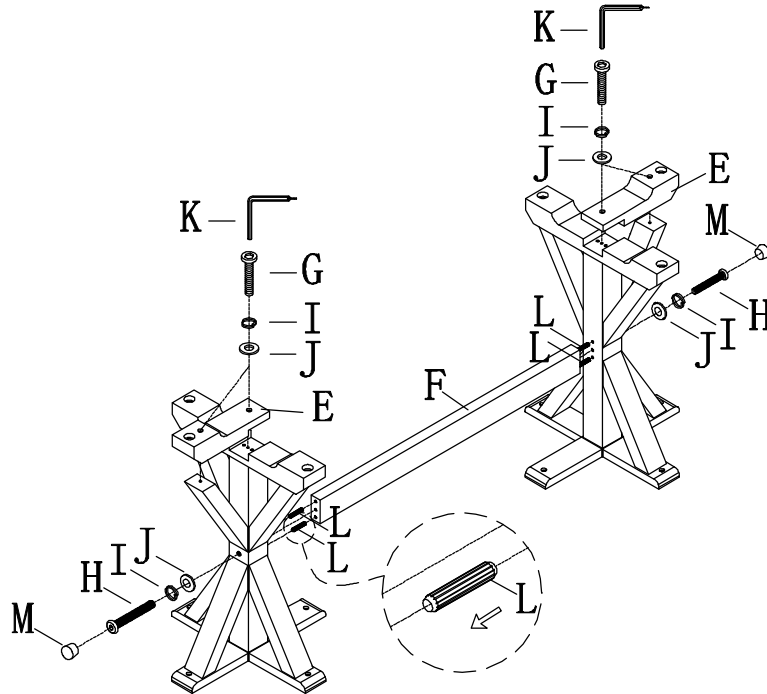
1 Attach the Support Plate (C) to the Leg Frame (B) as the below shown.



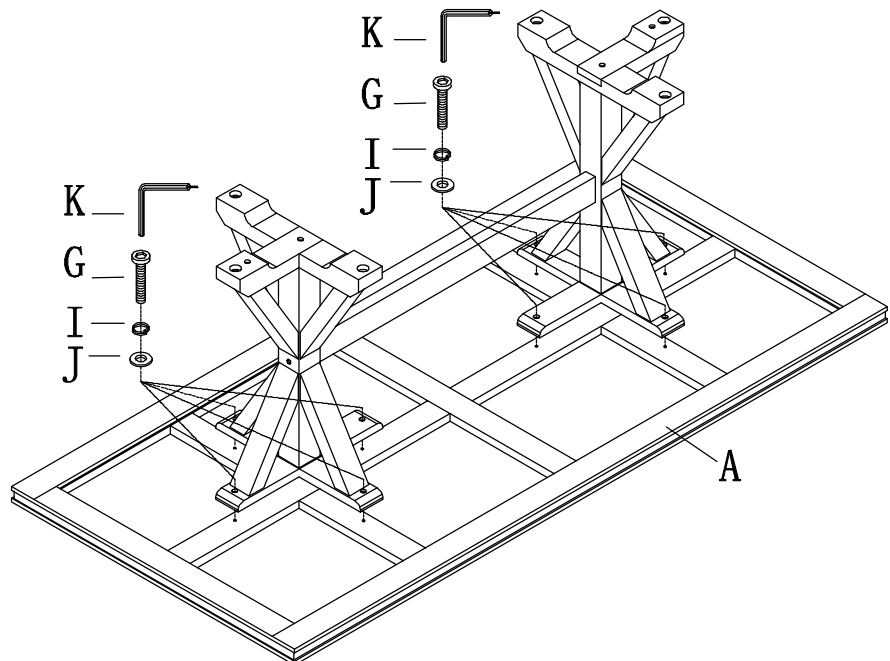
2 Attach the Upper Mount Plate (D) to the assembled leg frame by using Flat Washer (J), Lock Washer (I), Bolt-Small (G) with Allen Key (K).



- 3** Attach the Lower Mount Plate (E) to the assembled leg frame by using Flat Washer (J), Lock Washer (I), Bolt-Small (G) with Allen Key (K). Then attach the Cross Bar (F) to Assembled leg frame by using Wooden Dowel (L), Flat Washer (J), Lock Washer (I), Bolt-Large (H) with Wooden Plug (M).



- 4** Attach the assembled base to Top Panel (A) by using Flat Washer (J), Lock Washer (I), Bolt-Small (G) with Allen Key (K).



Cleaning & Care

Treat surface with care. Surface is resistant to scratches but is not scratch resistant. Clean surfaces with a dry or damp soft cloth. Do not use abrasive cleaners. Hardware may loosen over time. Periodically check that all connections are tight.