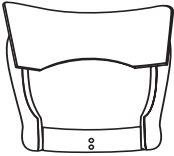










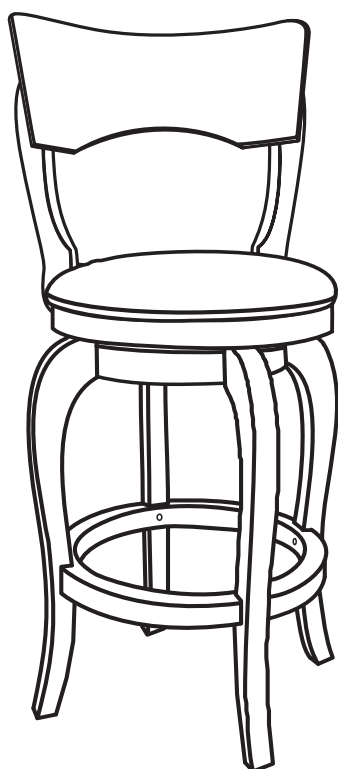


# ASSEMBLY INSTRUCTION

## SWIVEL COUNTER HEIGHT / BAR HEIGHT CHAIR

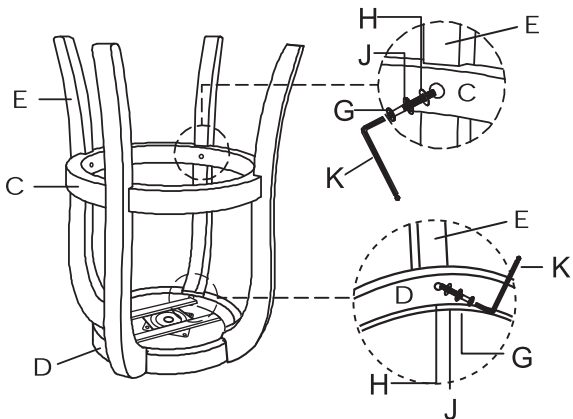
<b>A</b> Backrest  1 PC	<b>B</b> Cushion Seat  1 PC	<b>C</b> Footrest  1 PC	<b>D</b> Apron with Swivel Plate  1 PC	<b>E</b> Chair Leg  4 PCS
<b>F</b> JCBC Screw M6 x 25mm  4 PCS	<b>G</b> JCBC Screw M6 x 40mm  18 PCS	<b>H</b> Flat Washer M6 x 13mm  12 PCS	<b>I</b> Flat Washer M6.5 x 16.5mm  10 PCS	<b>J</b> Spring Washer M6 x 13mm  18 PCS
<b>K</b> Allen Key M4  1 PC				



This page lists all the contents included in the box. Please take the time to identify the hardware as well as the individual components to this product. As you unpack and prepare for assembly, place the contents on a carpeted or padded area to protect them from damage.

**1**

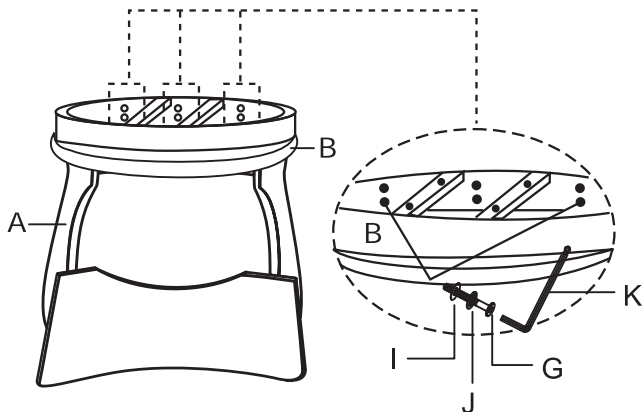
Attached the Chair Leg (E) to the Apron with swivel plate (D), then attach the Footrest (C) to the Chair Leg (E). Use JCBC Screw (G), Spring Washer (J), Flat Washer (H) with Allen Key (K) for both.



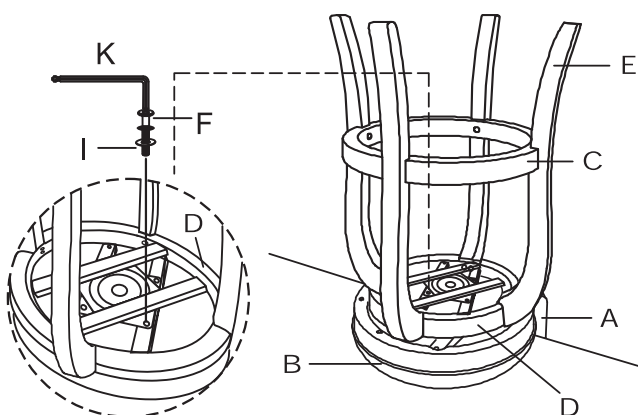
Take the Allen Wrench, and turn the bolts until the legs are secure. **DO NOT TIGHTEN COMPLETELY.** Stop when you feel you are adding force to tighten the bolt.

**2**

Invert Cushion Seat (B) and place on a stable raised surface (i.e. Table). Attached the Backrest (A) to the Cushion Seat (B) using JCBC Screw (G), Spring Washer (J), Flat Washer (I) with Allen Key (K).

**3**

Keep the Backrest (A) and Cushion Seat (B) inverted on a stable raised surface. Attached the Swivel Plate located on the Apron with Swivel Plate (D) to the Cushion Seat (B) using JCBC Screw (F), Flat Washer (I) with Allen Key (K). Turn the Chair right side up.



Stand chair up on an even surface and check that it is balanced. If there is a slight wobble, apply downward pressure in the corner where a leg is uneven. Keeping pressure in that corner, tighten all bolts. If balanced, apply downward pressure evenly in the center and tighten all bolts. Do not over-tighten beyond hole depth.

Helpful Tip:

-Instead of applying downward pressure while reaching under to tighten bolts, have someone sit on the chair while you tighten the bolts.

### **CLEANING & CARE**

Treat surface with care. Surface is resistant to scratches but is not scratch resistant. Clean surfaces with a dry or damp soft cloth. Do not use abrasive cleaners. Hardware may loosen over time. Periodically check that all connections are tight.