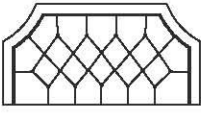
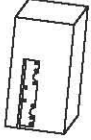
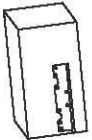






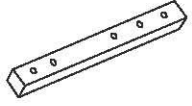
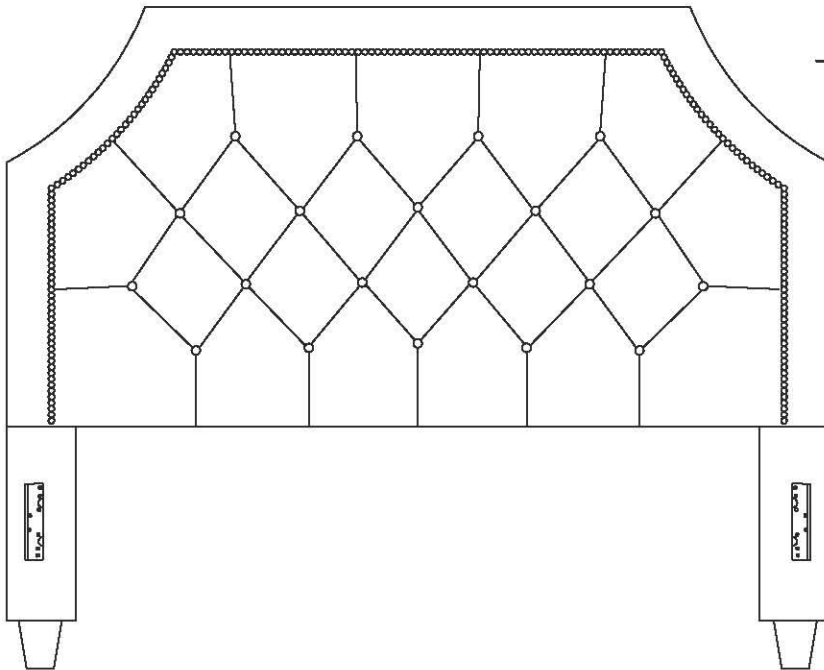


ASSEMBLY INSTRUCTION

QUEEN BED - HEADBOARD

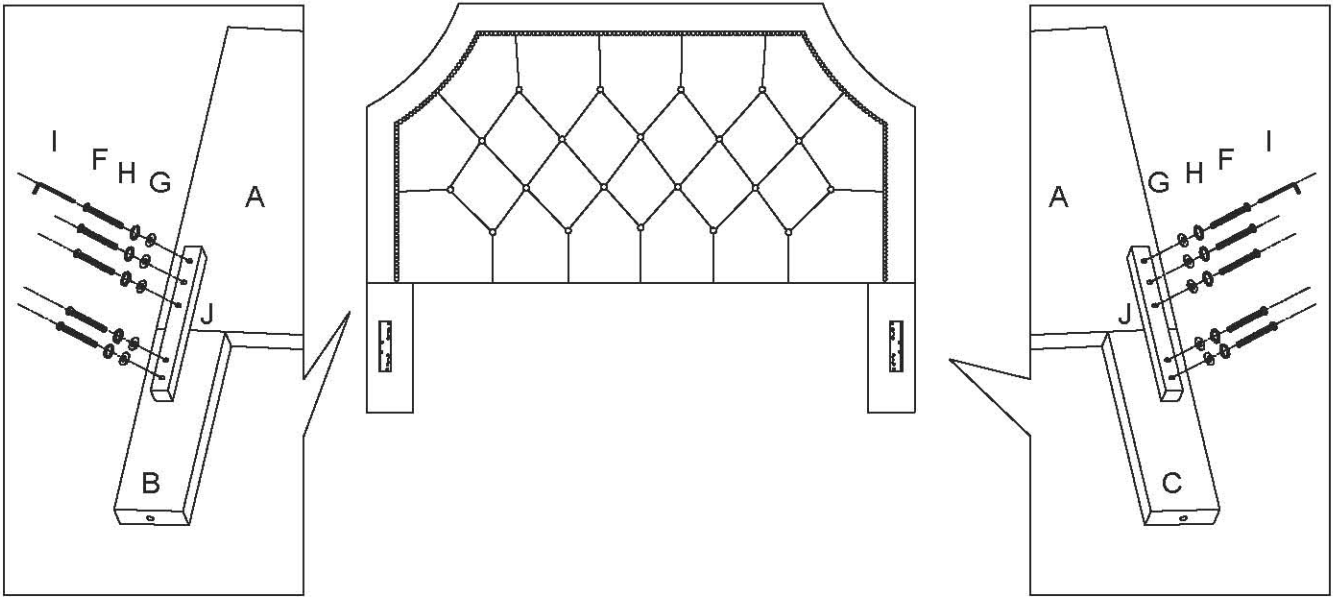
| | | | | |
|--|---|--|---|---|
| A Headboard  1 pc | B Left Wooden Frame  1 pc | C Right Wooden Frame  1 pc | D Wooden Leg  2 pcs | E Bolt 1/4 x 75mm  2 pcs |
| F Bolt 1/4 x 65mm  10 pcs | G Flat Washer  12 pcs | H Lock Washer  12 pcs | I Allen Wrench  1 pc | J Slate  2 pcs |

This page lists all the contents included in the box. Please take the time to identify the hardware as well as the individual components to this product. As you unpack and prepare for assembly, place the contents on a carpeted or padded area to protect them from damage.

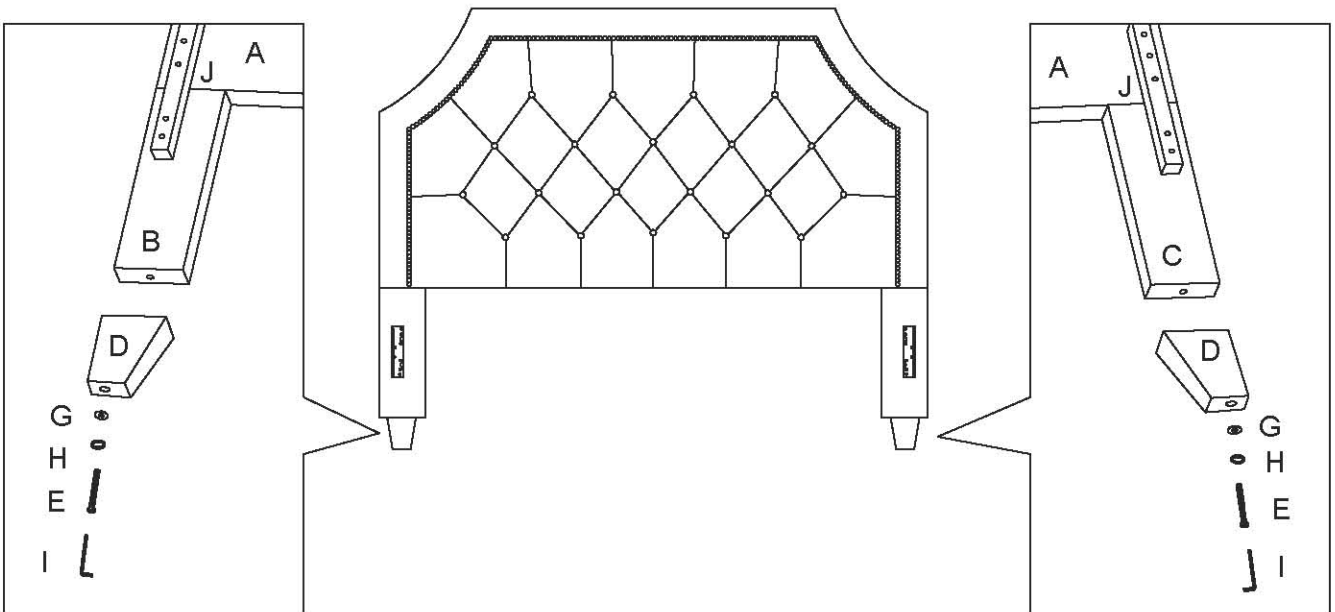


1

Attached left Wooden Frame (B) and right Wooden Frame (C) to the Headboard (A) use Bolt (F), Lock Washer (H) and Flat Washer (G) on holes of Slates (J). Turn the Allen Wrench (I) in Bolt (F).

**2**

Attached Wooden Leg (D) to the Wooden Frame (B) (C) use Bolt (E), Lock Washer (H) and Flat Washer (G) on both of holes. Turn the Allen Wrench (I) in Bolt (E).



Cleaning & Care

Treat surface with care. Surface is resistant to scratches but is not scratch resistant. Clean surfaces with a dry or damp soft cloth. Do not use abrasive cleaners. Hardware may loosen over time. Periodically check that all connections are tight.

ASSEMBLY INSTRUCTION

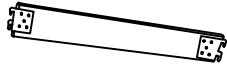
QUEEN BED WITH REGULAR SLATS

A Footboard



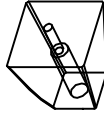
1 pc

B Side Rails



2 pcs

C Wooden Leg



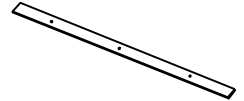
2 pcs

D Support Leg



6 pcs

E Wooden Slat



3 pcs

F Screw



12 pcs

G Bolt
1/4" x 75mm



2 pcs

H Bolt
1/4" x 50mm



6 pcs

I Flat Washer



8 pcs

J Lock Washer

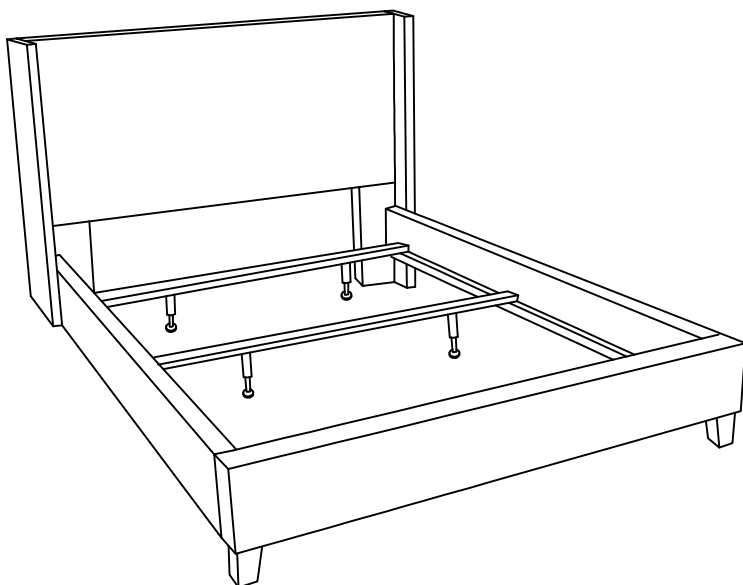


8 pcs

K Allen Wrench

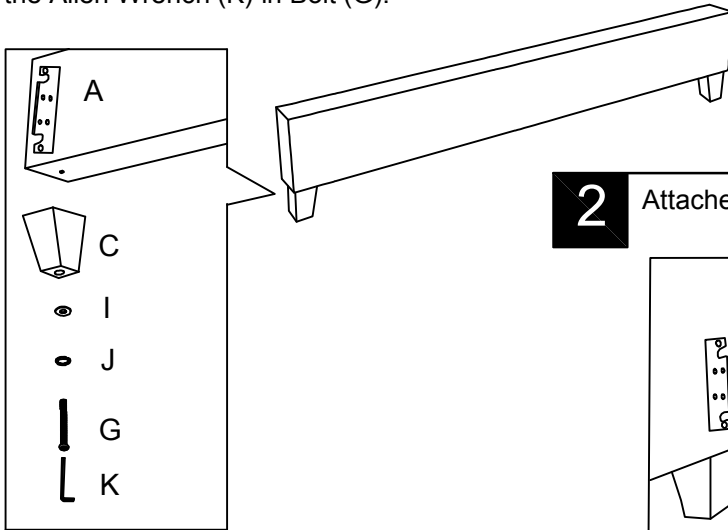


1 pc

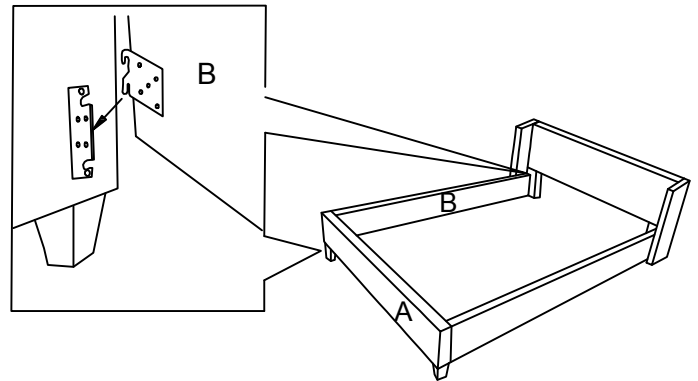


This page lists all the contents included in the box. Please take the time to identify the hardware as well as the individual components to this product. As you unpack and prepare for assembly, place the contents on a carpeted or padded area to protect them from damage.

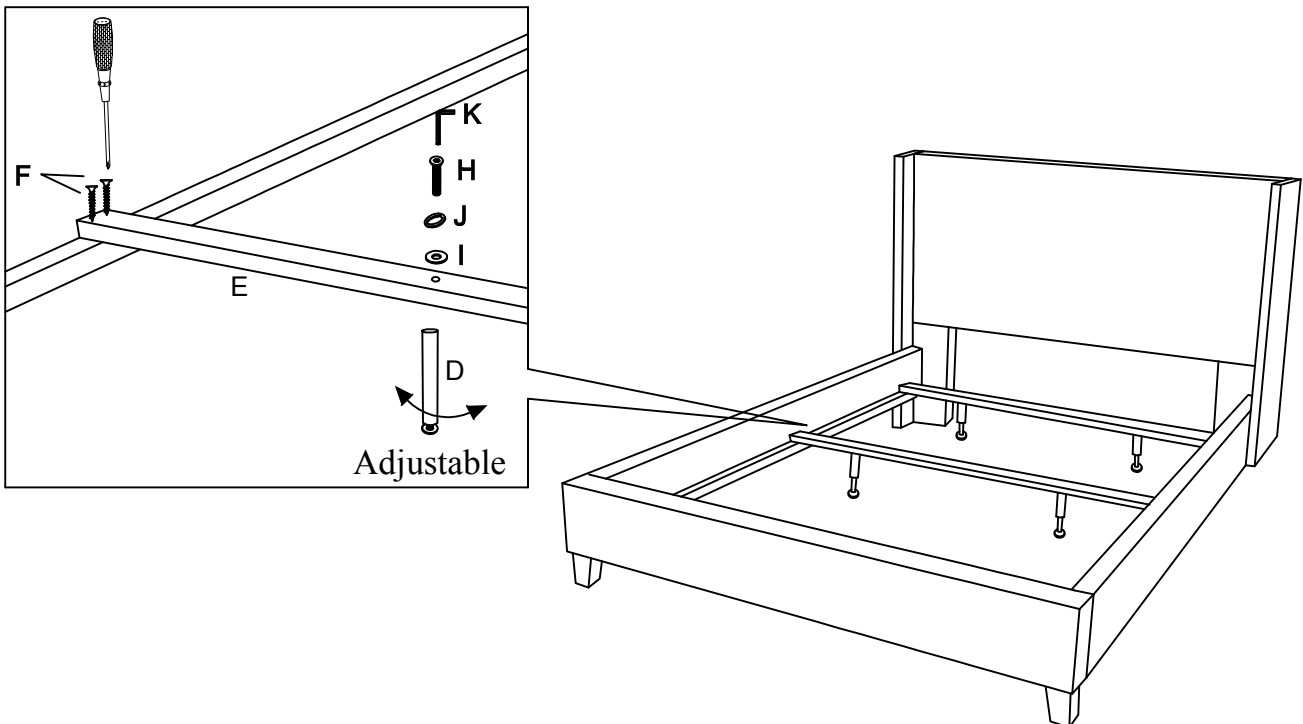
- 1 Attached Wooden Leg (C) to the Footboard (A) use Bolt (G), Lock Washer (J) and Flat Washer (I) on both of holes. Turn the Allen Wrench (K) in Bolt (G).



- 2 Attached Side Rail (B) to the Headboard and Footboard (A).



- 3 Assembly Wooden Slats (E) and Support Leg (D) use Flat Washer (I), Lock Washer (J) and Bolt (H), Turn the Allen Wrench (K) in Bolt (H).



Cleaning & Care

Treat surface with care. Surface is resistant to scratches but is not scratch resistant. Clean surfaces with a dry or damp soft cloth. Do not use abrasive cleaners. Hardware may loosen over time. Periodically check that all connections are tight.

ASSEMBLY INSTRUCTION

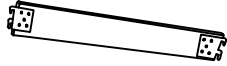
QUEEN BED - FOOTBOARD & SIDE RAILS & SLATS

A Footboard



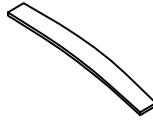
1 pc

B Side Rails



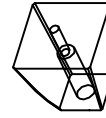
2 pcs

C Wooden Slat



26 pcs

D Wooden Leg



2 pcs

E Support Leg



4 pcs

F I-Iron Pipe



1 pc

G Single-Sided Cover



26 pcs

H Double-Sided Cover



13 pcs

I Flat Washer



8 pcs

J Lock Washer



8 pcs

K Bolt
1/4" x 30mm



2 pcs

L Bolt
1/4" x 50mm



4 pcs

M Bolt
1/4" x 75mm

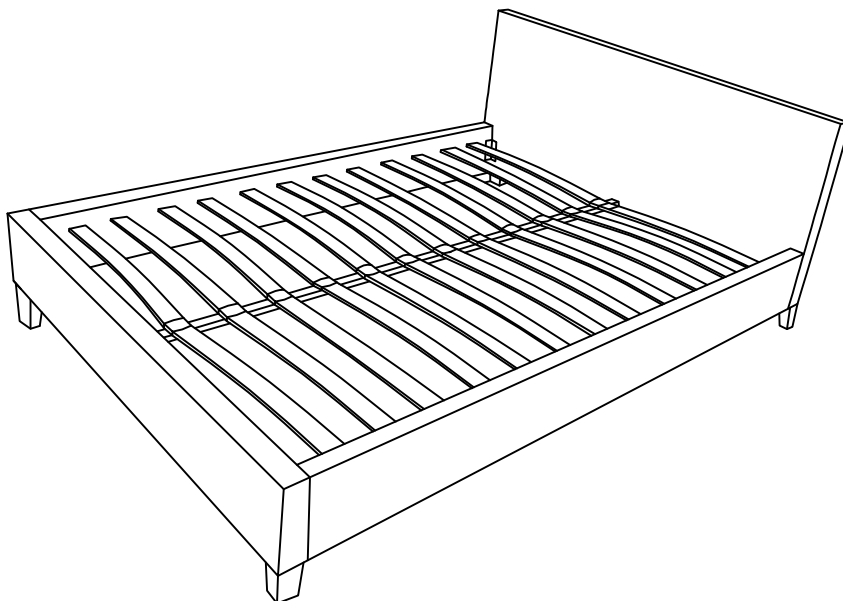


2 pcs

N Allen Wrench

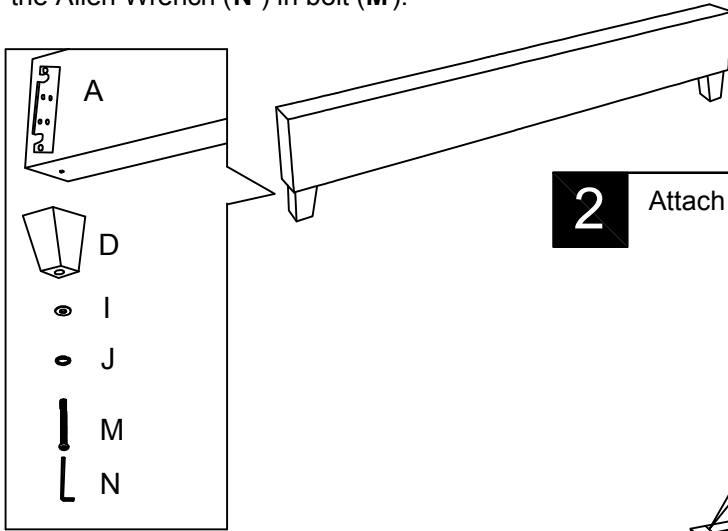


1 pc

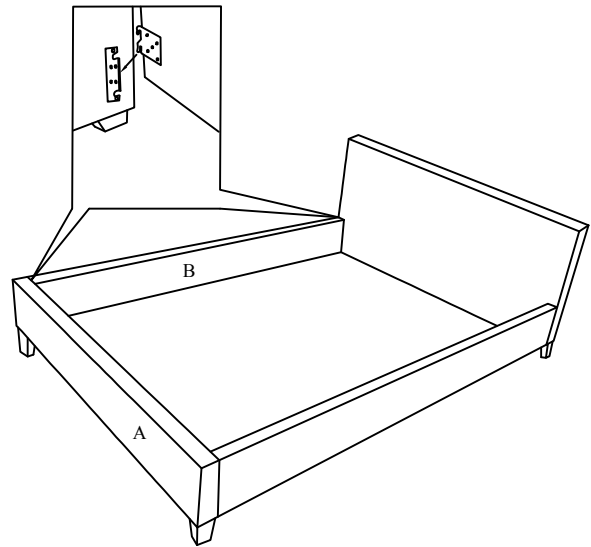


This page lists all the contents included in the box. Please take the time to identify the hardware as well as the individual components to this product. As you unpack and prepare for assembly, place the contents on a carpeted or padded area to protect them from damage.

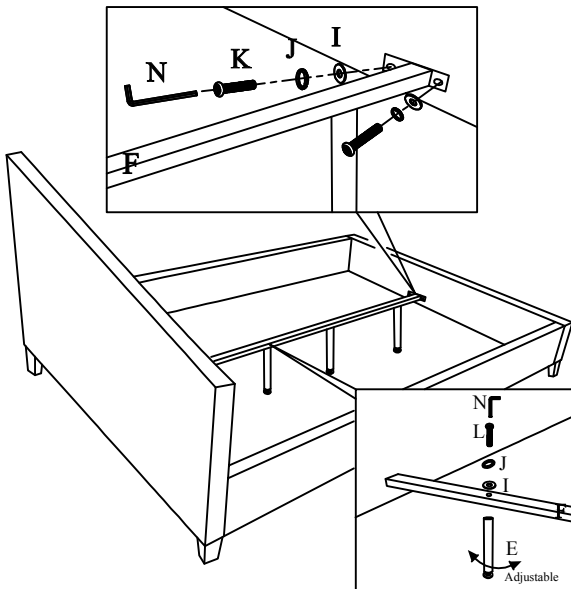
- 1** Attach Wood Leg (D) to the Footboard (A). Use Bolt (M), Lock Washer (J) and Flat Washer (I) on both holes. Turn the Allen Wrench (N) in bolt (M).



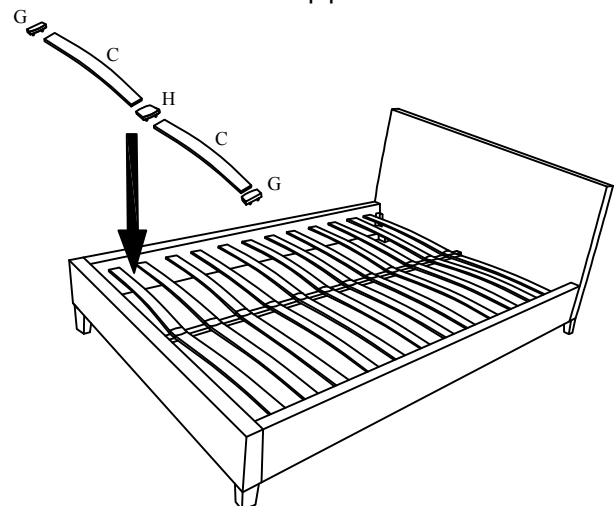
- 2** Attach Side Rail (B) to the Headboard and Footboard (A).



- 3** Attach Support Leg (E) to the I-Iron Pipe (F). Then assembly I-Iron Pipe (F) to Footboard (A).



- 4** Assembly Single-Sided Cover (G), Double-Sided Cover (H) and Wooden Slat (C) as shown, and pushed into the hole on the iron pipe.



Cleaning & Care

Treat surface with care. Surface is resistant to scratches but is not scratch resistant. Clean surfaces with a dry or damp soft cloth. Do not use abrasive cleaners. Hardware may loosen over time. Periodically check that all connections are tight.