



ASSEMBLY INSTRUCTIONS
COASTER FINE FURNITURE



Fine Furniture for every stage of life

SOFA TABLE

722519

REVISION 0: 11/07/2019
REVISION 1: 5/07/2020
REVISION 2: 4/03/2023

PAGE 1 OF 4

COASTERFURNITURE.COM

ASSEMBLY INSTRUCTIONS

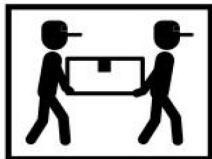
ASSEMBLY TIPS:

- 1.Remove hardware from box and sort by size.
- 2.Please check to see that all hardware and parts are present prior to start of assembly.
- 3.Please follow attached instruction in the same sequence as numbered to assure fast & easy assembly.



WARNING!

- 1.Don't attempt to repair or modify parts that are broken or defective. Please contact the store
- 2.This product is for home use only and not intended for commercial establishment.



ASSEMBLY TIME

10 MINUTES

PARTS IDENTIFICATION

B1: TOP

A  MIRROR CABINET 1PC

C  BASE 1PC

B2: BASE

B  LEG 2PCS

Z-HARDWARE

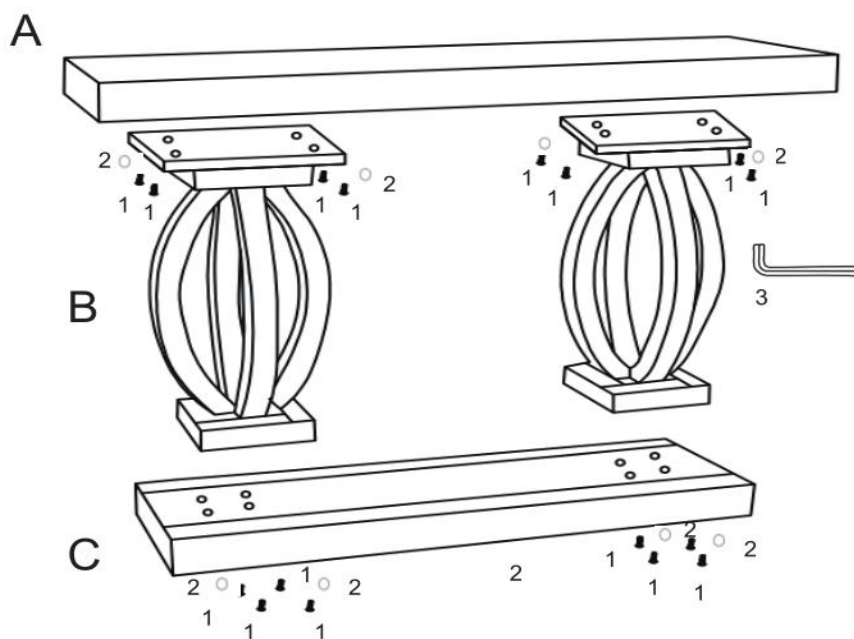
1		BOLT 8x35MM	16PCS
2		WASHER Φ20x2MM	16PCS
3		ALLEN KEY 30x80MM	1PC

HARDWARE PACK IS LOCATED IN 722519 (B1)

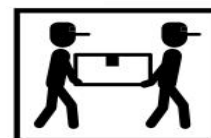
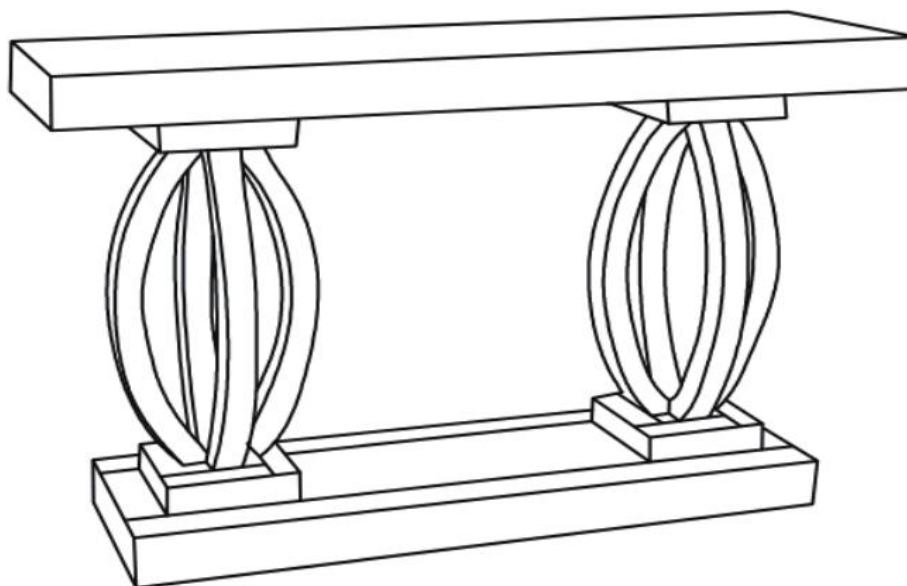
ITEM : 722519

ASSEMBLY INSTRUCTIONS

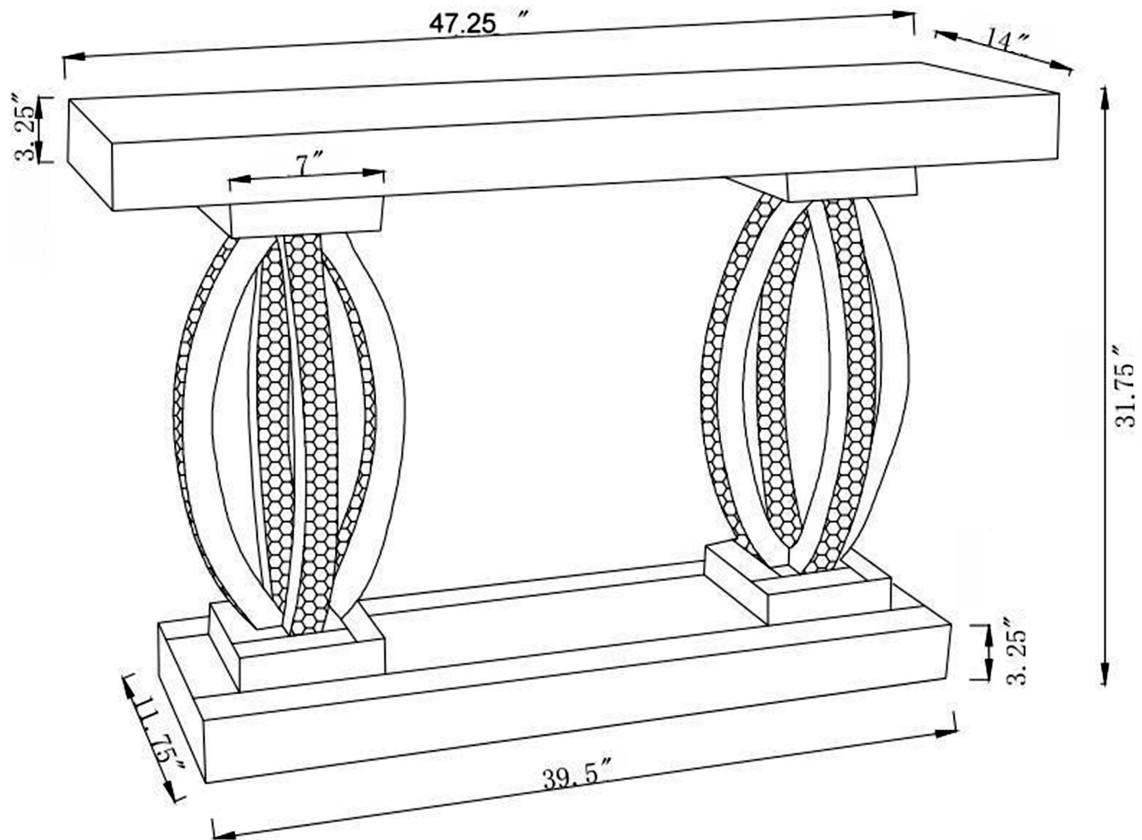
STEP 1



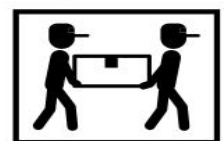
STEP 2



ITEM : 722519



Note: Dimension tolerance $\pm 5\%$



COASTERFURNITURE.COM