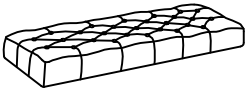
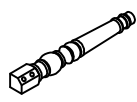



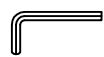
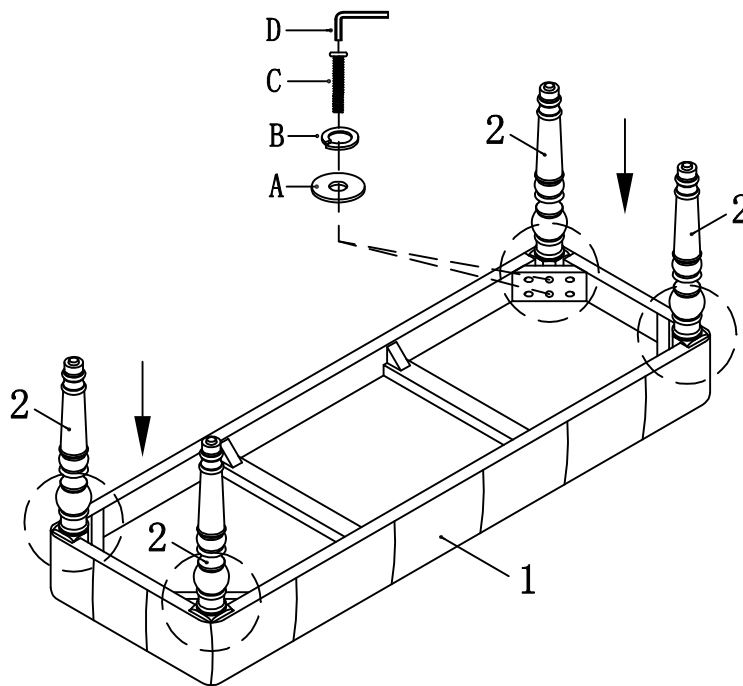


CB361 ASSEMBLY INSTRUCTION

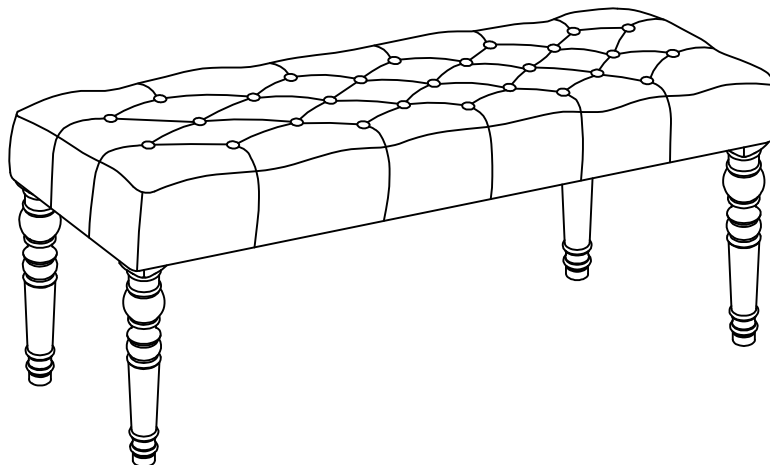
PARTS			
1		Seat Cushion	1 Pc
2		Leg	4 Pcs

HARDWARE LIST			
A		Ø 5/16" x 22 x 2mm	8 Pcs
B		Ø 5/16"	8 Pcs
C		Ø 5/16" x 2-1/4"	8 Pcs
D		Ø 5 mm	1 Pc

STEP 1



STEP 2



Do not tighten screws until completely assembled