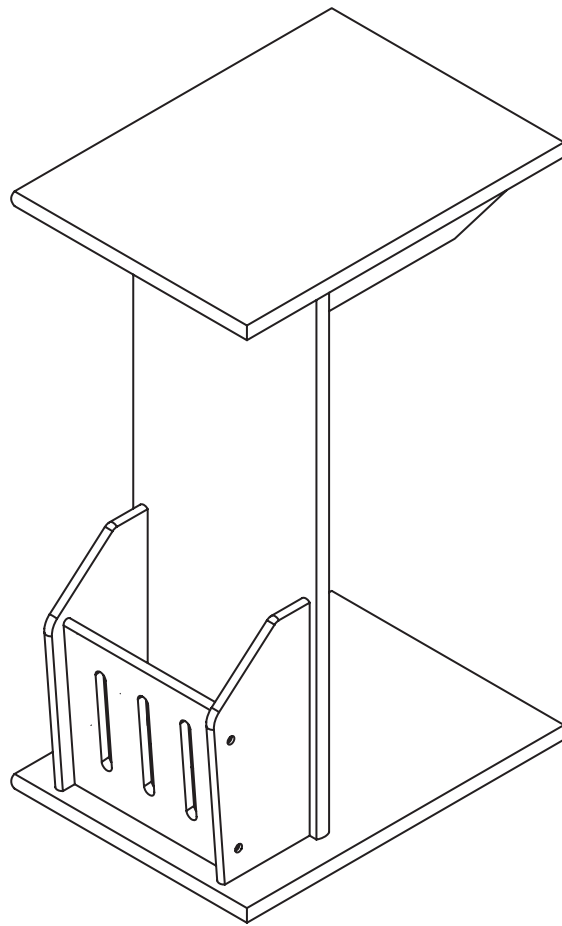


# CONVENIENCE CONCEPTS

## ABBY END TABLE

7103022



### **ASSEMBLY INSTRUCTIONS**

---

We have designed our furniture with you , the customer in mind . Our clear , easy to follow , step by step instructions will guide you through the project from start to finish . Feel confident that this will be a fun and rewarding project . The final product will be a quality piece of furniture that will go together smoothly and give years of enjoyment .

---

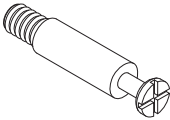

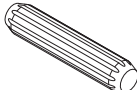
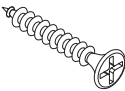
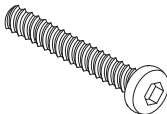
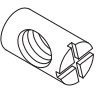




Please do not return to the store

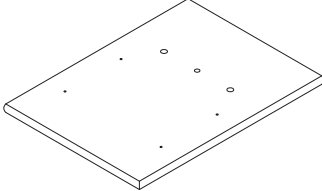
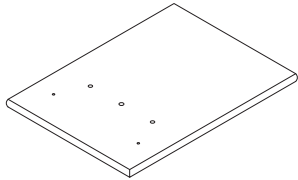
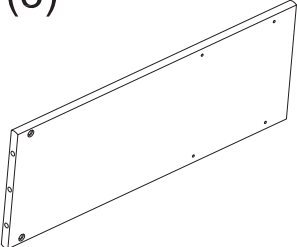
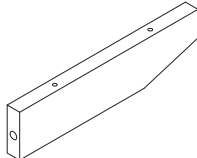
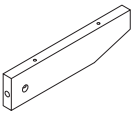
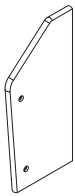
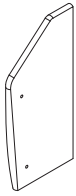
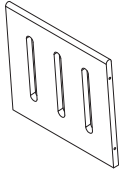
- . Broken or missing parts?
- . Need help with assembly?

If you have any questions just call 1-800-468-6447 or email us at [parts@convenience-concepts.com](mailto:parts@convenience-concepts.com)

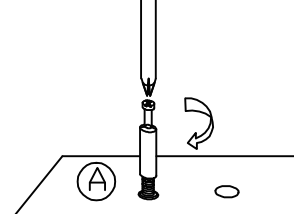
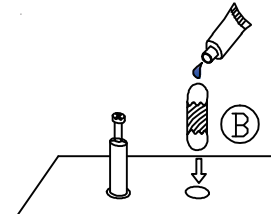
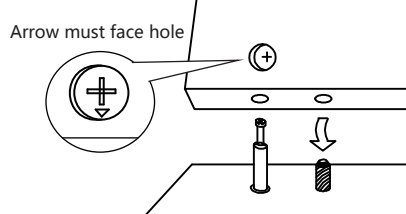
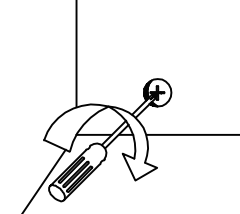
# Hardware List

(A)	
Camlock bolt (2pcs)	
(B)	
Camlock (2pcs)	
(C)	
Wood dowel (2pcs)	
(D)	
Flat head screw (14pcs)	
(E)	
Blot (4pcs)	
(F)	
Collar (2pcs)	
(G)	
Allen wrench (1pc)	
(H)	
Cap (10pcs)	

# Part List

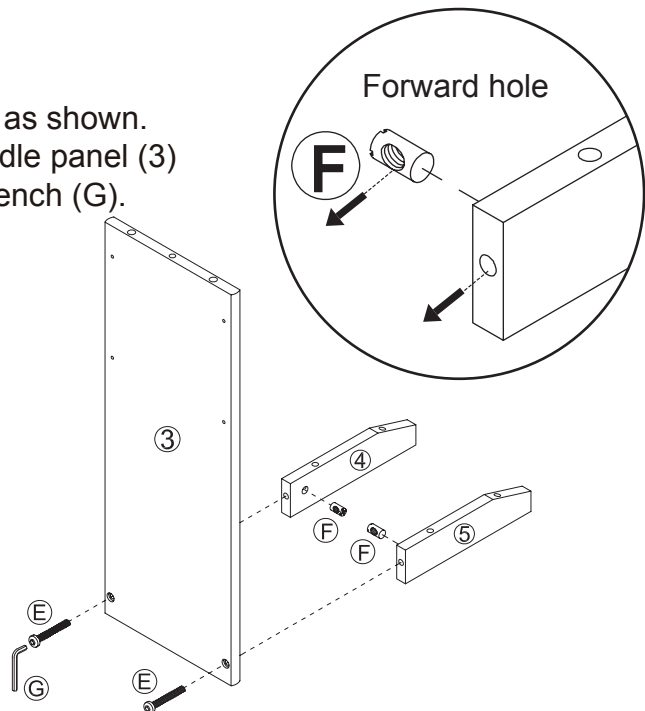
(1)		(2)	
Top panel (1pc)		Bottom panel (1pc)	
(3)		(4)	
Middle panel (1pc)		Front support bar (1pc)	
(5)		(6)	
Back support bar (1pc)		Bin front panel (1pc)	
(7)		(8)	
Bin back panel (1pc)		Bin side panel (1pc)	

## Assembling the unit with camlocks and wood dowels.

			
Gently screw cam dowel into the threaded anchor.	Lightly glue one end of the wood dowel and tap halfway into hole.	Lightly glue wood dowel and connect to second panel by inserting dowels into holes. Arrow must face hole.	Screw the camlock firmly into locked position.

## step 1

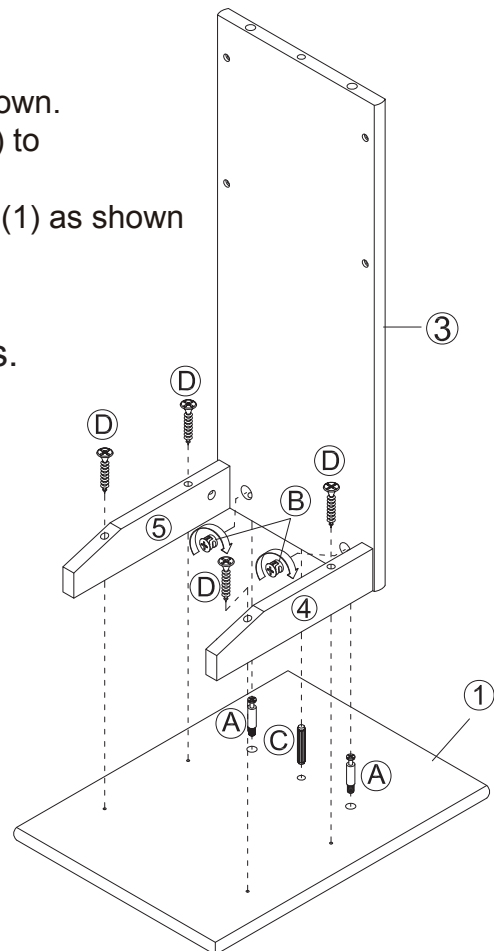
1. Insert collars (F) to support bar (4) (5) as shown.
2. Connect the support bar (4) (5) to middle panel (3) as shown using blots (E) and allen wrench (G).



## step 2

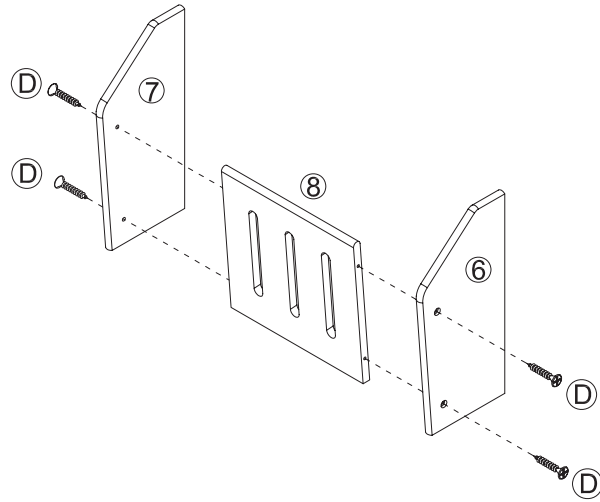
1. Insert camlocks (B) to middle panel (3) as shown.
2. Insert camlocks bolts (A) and wood dowel (C) to top panel (1) as shown.
3. Connect middle panel assembly to top panel (1) as shown using flat head screws (D).

\*Refer to page 2 for camlock instructions.



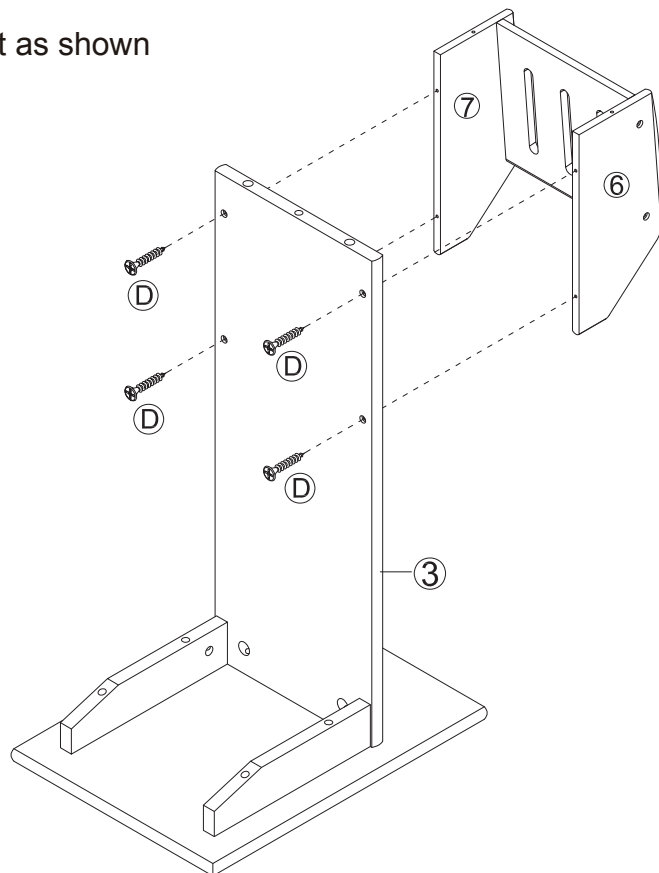
### step 3

1. Connect the bin front panel (6) and bin back panel (7) to bin side panel (8) as shown using flat head screws (D).



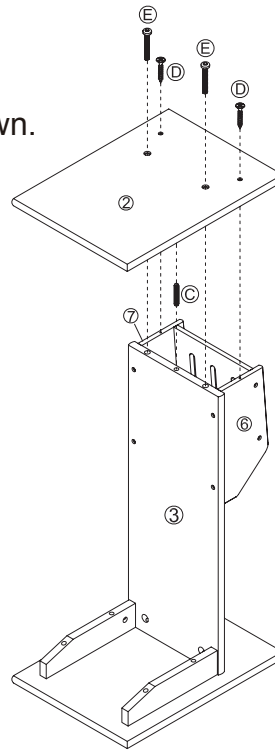
### step 4

1. Connect bin panel assembly to unit as shown using flat head screws (D).



## step 5

1. Insert wood dowel (C) to middle panel (3) as shown.
2. Connect the bottom panel (2) to unit as shown using blots (E) and flat head screws (D).



## step 6

1. Up side down.
2. Attach caps (H) to holes in unit as shown.

Enjoy.

