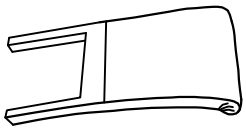


ASSEMBLY INSTRUCTION

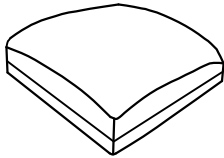
PARSON CHAIR

A Chair Back



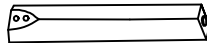
1pc

B Seat



1pc

C Front Leg



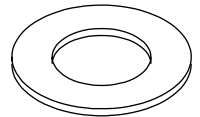
2pcs

D Lock Washer



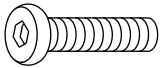
11pcs

E Flat Washer



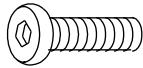
11pcs

F Bolt
5/16"x3-1/2"



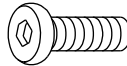
4pcs

G Bolt
5/16"x3"



3pcs

H Bolt
5/16"x2-1/2"

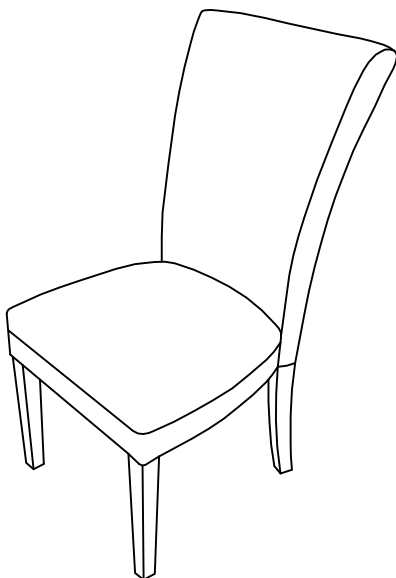


4pcs

I Allen Wrench



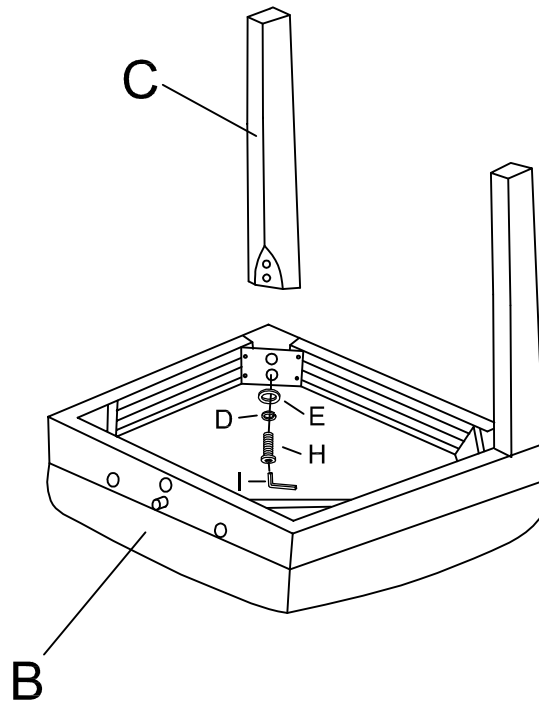
1pc



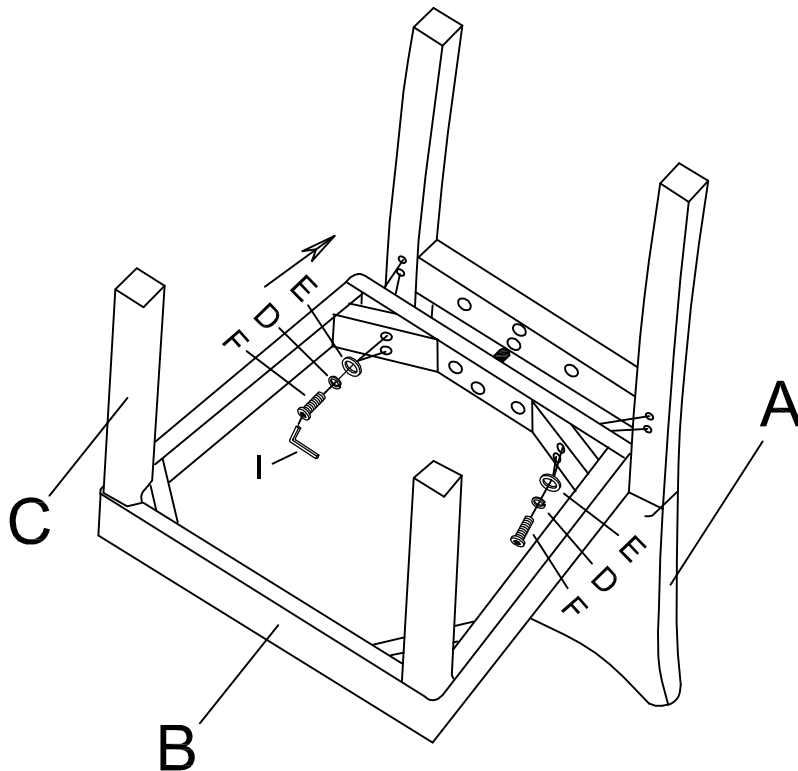
This page lists all the contents included in the box. Please take the time to identify the hardware as well as the individual components to this product. As you unpack and prepare for assembly, place the contents on a carpeted or padded area to protect them from damage.

1

Put the seat (B) on a smooth flat surface, attached one front leg (C) to the seat (B) use bolt (H), lock washer (D) and flat washer (E) on both of hole of seat. Turn the allen wrench (I) in bolt (H). But not too tight.

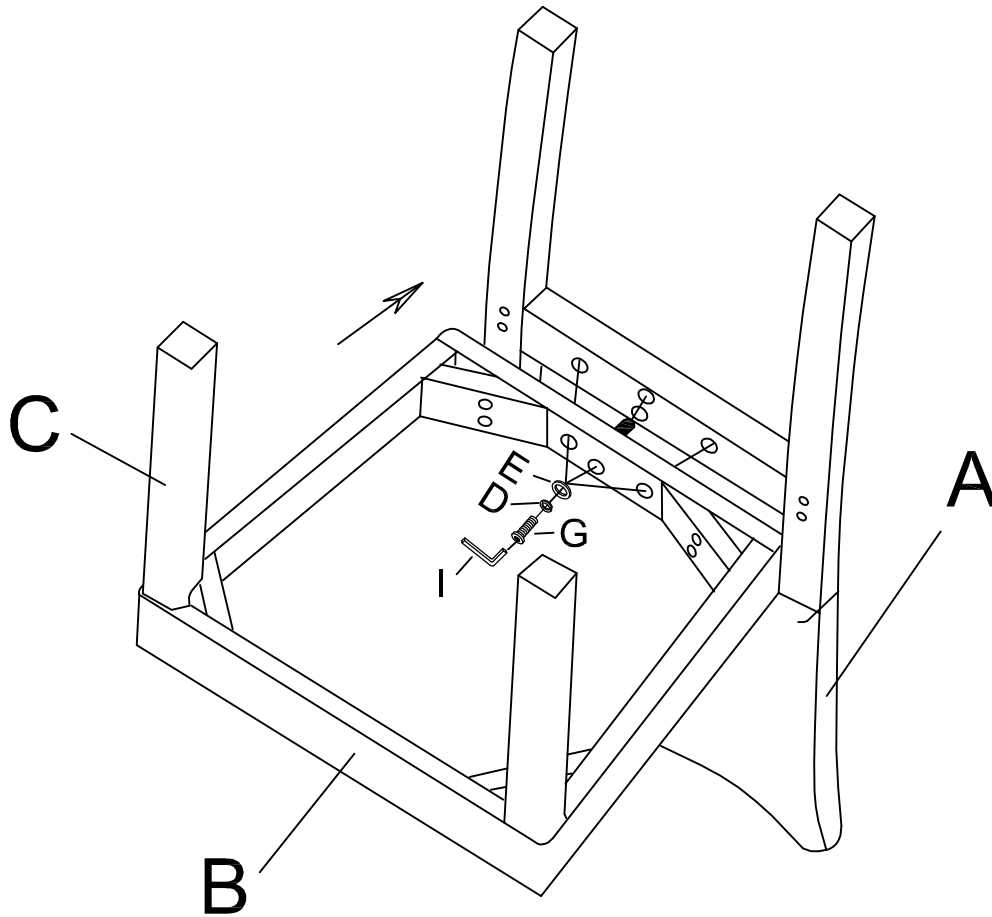
**2**

Put chair back (A) on a smooth flat surface, attached the seat (B) the chair back (A) use the bolt (F), lock washer (D), flat washer (E) in both of hole of seat (B) and chair back (A), turn the allen wrench (I) in bolt (F). But not too tight.



3

Use the bolt (G), lock washer (D), flat washer (E) in both of hole of seat (B) and chair back (A), turn the allen wrench (I) to tighten the bolt (G).



Cleaning & Care

Treat surface with care. Surface is resistant to scratches but is not scratch resistant. Clean surfaces with a dry or damp soft cloth. Do not use abrasive cleaners. Hardware may loosen over time. Periodically check that all connections are tight.