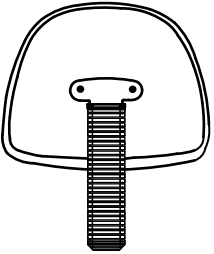
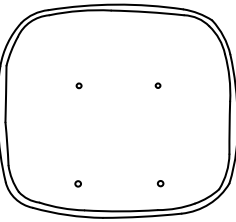
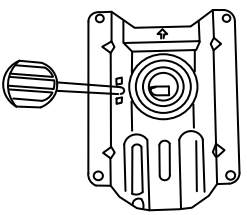


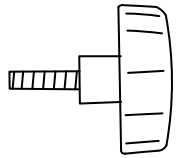

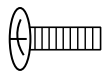
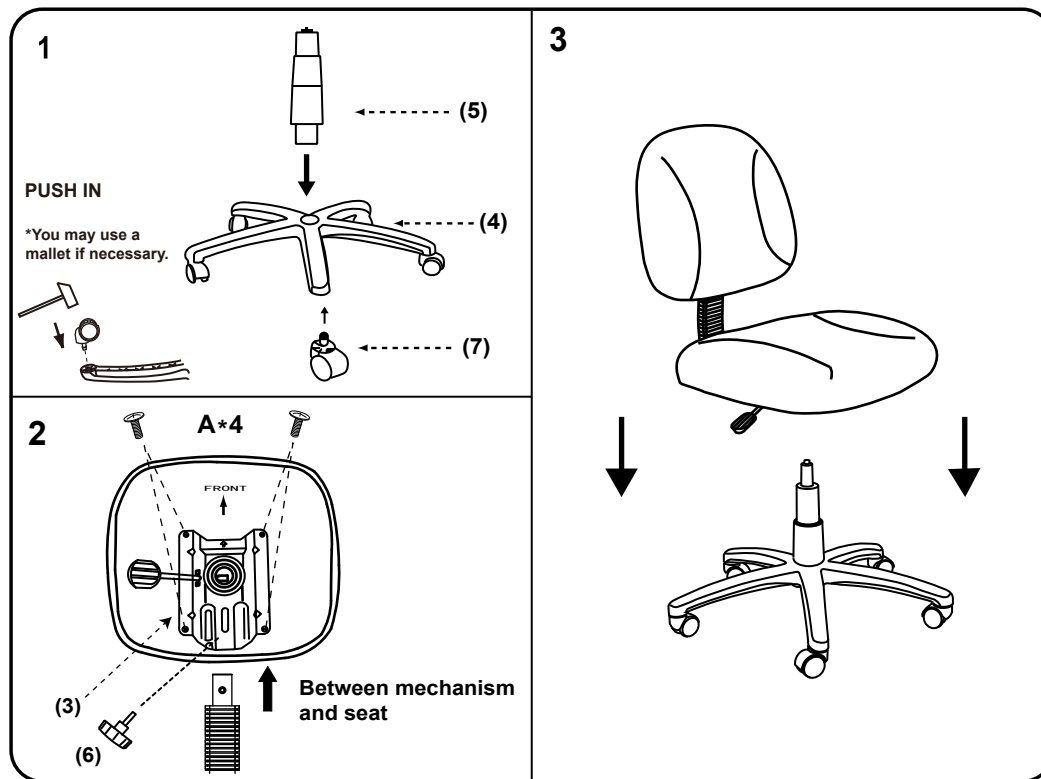


**Please unscrew all hardware from cushion before assembly.**  
**Por favor de destornillar todos los tornillos del cojín antes de ensamblar la silla.**

MODEL : B325

(1)x1  Back Cushion Back Support W/ Bellow	(2)x1  Seat Cushion	(3)x1  TU001-305 / mechanism
(4)x 1  TU005-305 - Nylon Base	(5)x1  TU026-305-Gas Lift	(6)x1  TU305-Knob/Knob
(7)x5  TU015-Casters	(A)*4  <b>M8*22 Mechanism Screws</b>	



**Insert and loosely tighten all screws. When assembly is completed, fully tighten all screws before using. This chair is only intended for sitting. Any other use will void the warranty.**

