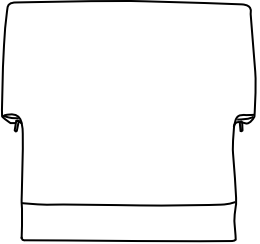

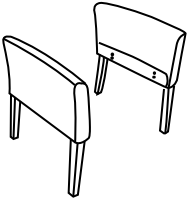
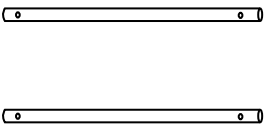




**Please unscrew all hardware from cushion before assembly.**

**Por favor de destornillar todos los tornillos del cojín antes de ensamblar la silla.**

MODEL : B629

(1)X1  Back	(2)X1  Seat
(3)X1 (L)x1 (R)  Left & Right Frame	(4)X1  Connecting Bar
(A)x2  M6*30 BACK SCREW	(B)x4  M6*36 SEAT SCREW

**Insert and loosely tighten all screws. When assembly is completed, fully tighten all screws before using. This chair is only intended for sitting. Any other use will void the warranty.**

